



**2008 Graphic Communication**

**Standard Grade – Foundation**

**Finalised Marking Instructions**

© Scottish Qualifications Authority 2008

The information in this publication may be reproduced to support SQA qualifications only on a non-commercial basis. If it is to be used for any other purposes written permission must be obtained from the Assessment Materials Team, Dalkeith.

Where the publication includes materials from sources other than SQA (secondary copyright), this material should only be reproduced for the purposes of examination or assessment. If it needs to be reproduced for any other purpose it is the centre's responsibility to obtain the necessary copyright clearance. SQA's Assessment Materials Team at Dalkeith may be able to direct you to the secondary sources.

These Marking Instructions have been prepared by Examination Teams for use by SQA Appointed Markers when marking External Course Assessments. This publication must not be reproduced for commercial or trade purposes.

**2008 Graphic Communication SG Foundation  
Marking Instructions**

**Foundation**

**1 (a)**

<b>Name</b>	<b>Input</b>	<b>Output</b>
Mouse	✓	
Monitor		✓
Plotter		✓
Keyboard	✓	
Scanner	✓	
Laser printer		✓

KI 6

**(b)** A paper copy

KI 1

**(c)** In case you lose your work/computer may crash/computer could freeze.

KI 1

**TOTAL KI 8**

**2 (a)** Colour 1: Yellow, Yellow-Green  
Colour 2: Green, Blue-Green, Blue

KI 2

**(b)** Colour 1: Orange, Red-Orange  
Colour 2: Red-Violet, Violet

KI 2

**(c)** Colour 1: Yellow-Orange  
Colour 2: Red-Orange

KI 2

**(d)** Warm colour: Red, Yellow  
Cool colour: Blue, Green

KI 2

**(e)** White

KI 1

**TOTAL KI 9**

**3 (a) Table of line types**

Dimension	4
Hidden	2
Hatching	5
Cutting plane	3
Outline	1

KI 5

**(b)** Section, Sectional Elevation

KI 1

**(c)** Isometric

KI 1

**(d)** Oblique, Planometric  
1 point or 2 point perspective

KI 2

**TOTAL KI 9**

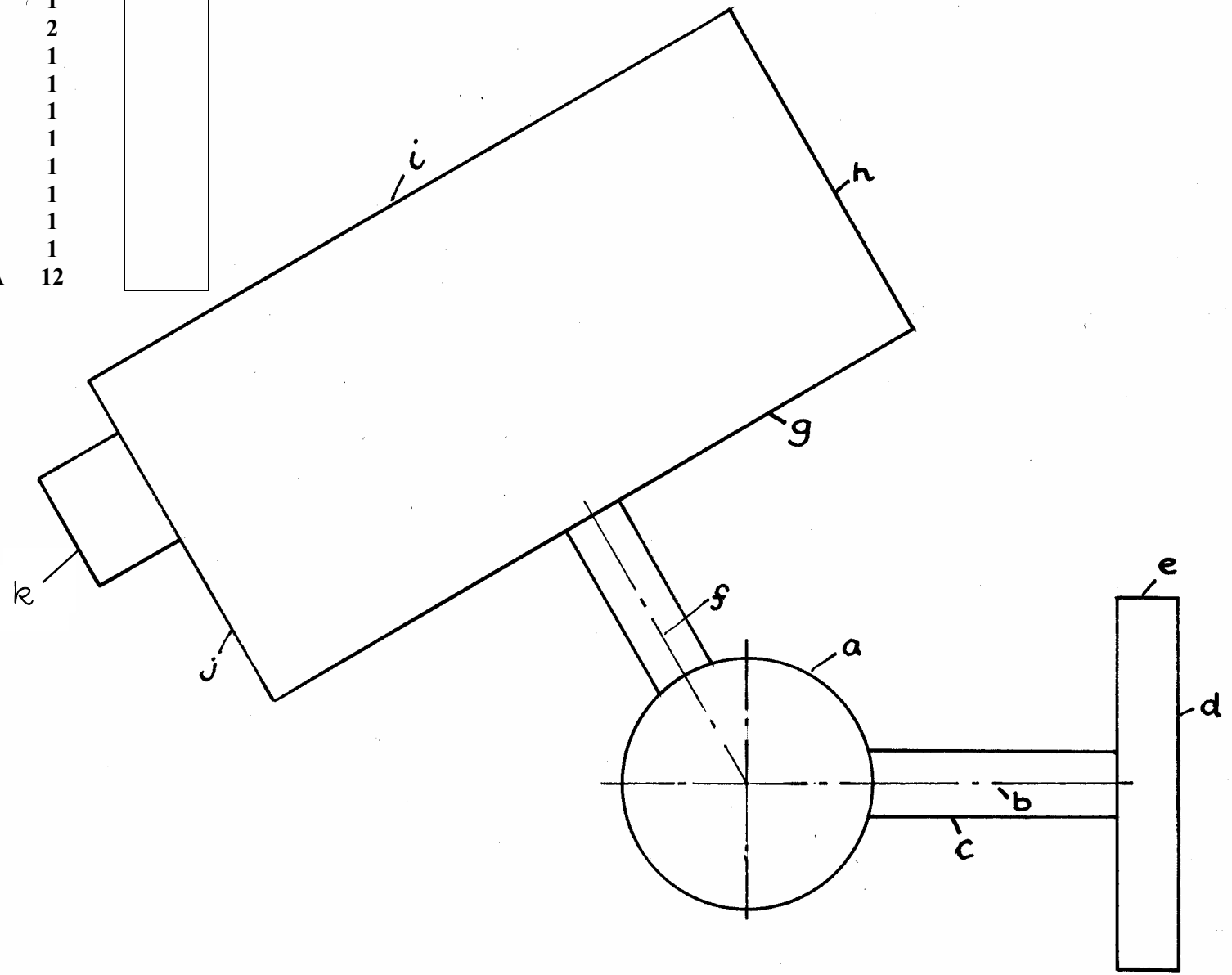
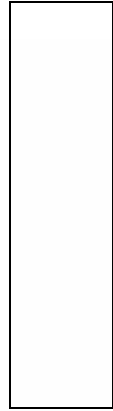
- |              |                          |      |
|--------------|--------------------------|------|
| <b>4 (a)</b> | August                   | KI 1 |
| <b>(b)</b>   | Two (April and November) | KI 1 |
| <b>(c)</b>   | January                  | KI 1 |
| <b>(d)</b>   | December                 | KI 1 |

**TOTAL KI 4**

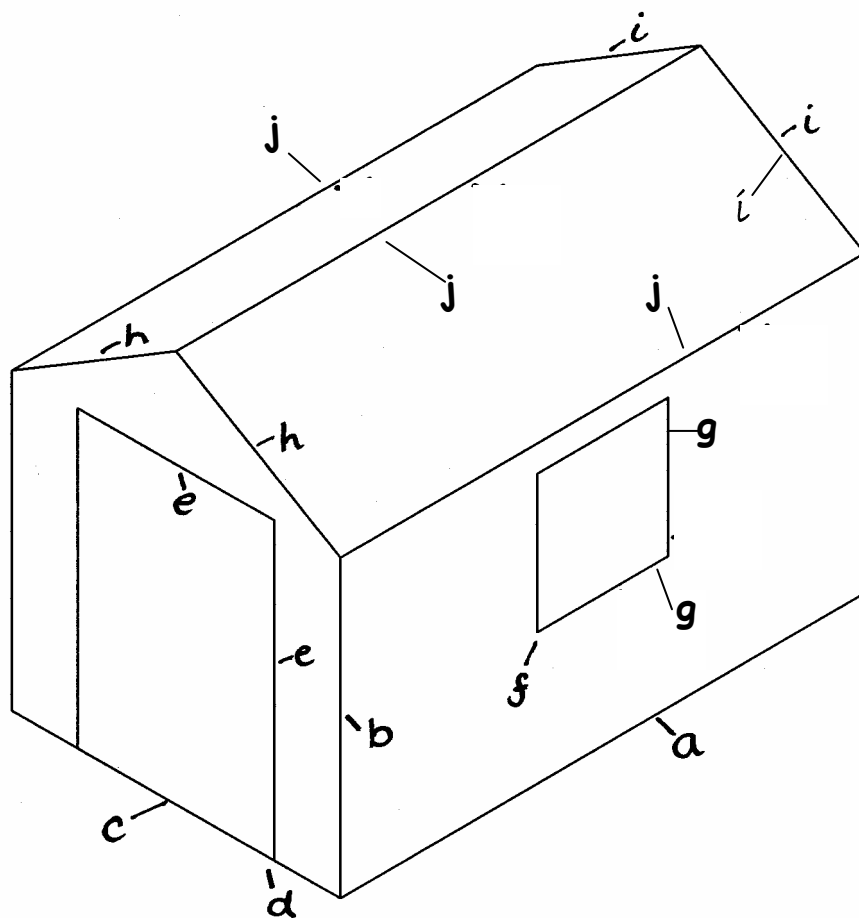
**Question 5**

- (a) Circle diameter 40
- (b) Length 60
- (c) Diameter 10
- (d) Height 60
- (e) Length 10
- (f) Length 50
- (g) Length 55
- (h) Height 60
- (i) Length 120
- (j) Height 30
- (k) Diameter 20 + length 15

	1
	1
	2
	1
	1
	1
	1
	1
	1
	1
	1
<b>Total DA</b>	<b>12</b>



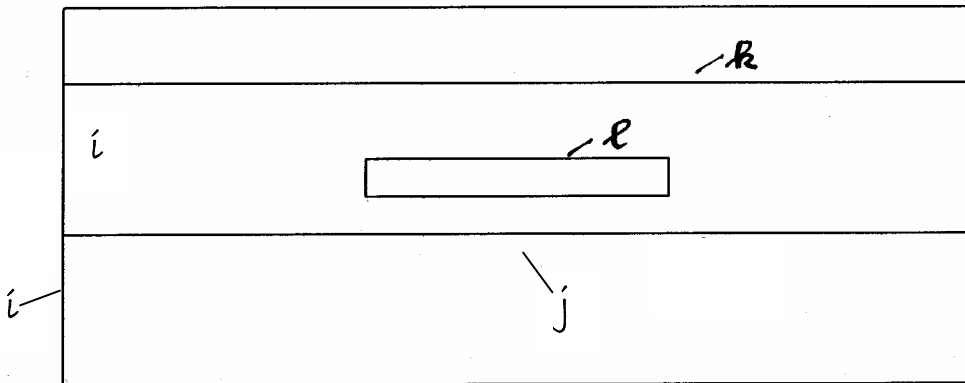
Question 6



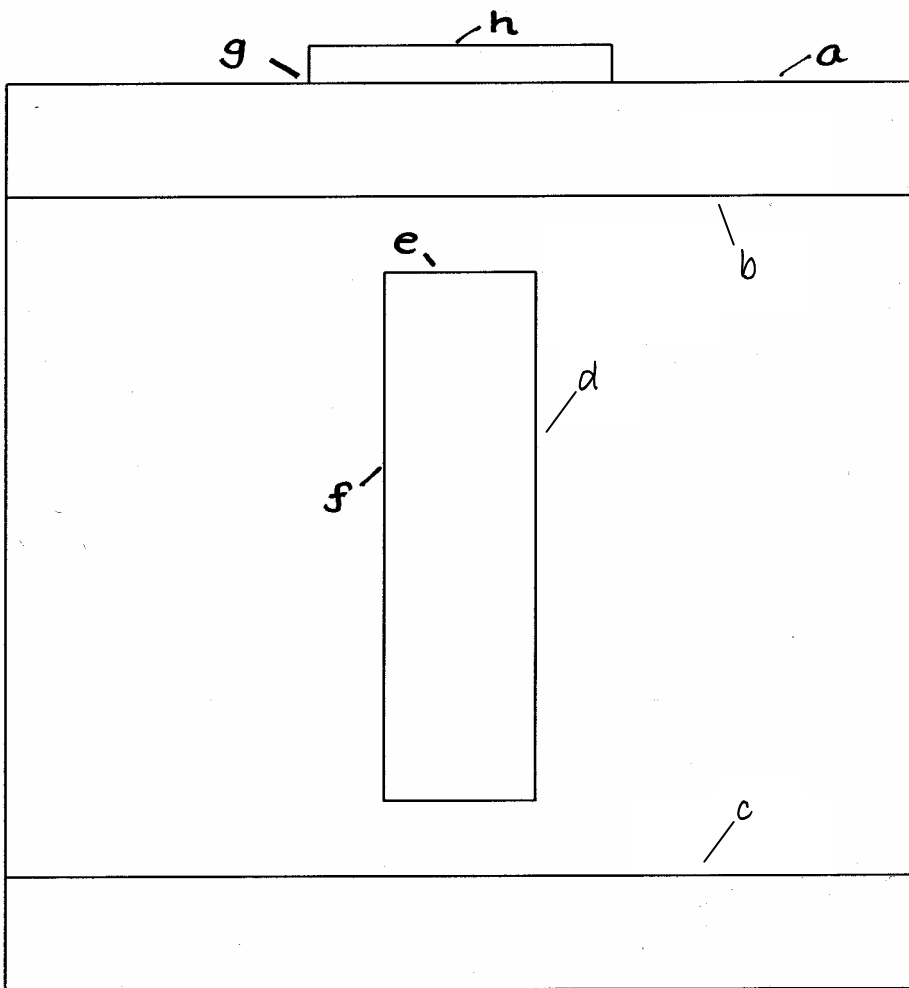
- |     |                         |   |
|-----|-------------------------|---|
| (a) | Crate width 80          | 1 |
| (b) | Crate height (45 or 60) | 1 |
| (c) | Crate length (50)       | 1 |
| (d) | Door position           | 1 |
| (e) | Door height + width     | 1 |
| (f) | Window position         | 1 |
| (g) | Window height + width   | 1 |
| (h) | Roof sloping ends left  | 1 |
| (i) | Roof sloping ends right | 1 |
| (j) | Roof lines              | 1 |

**Total DA 10**

Question 7

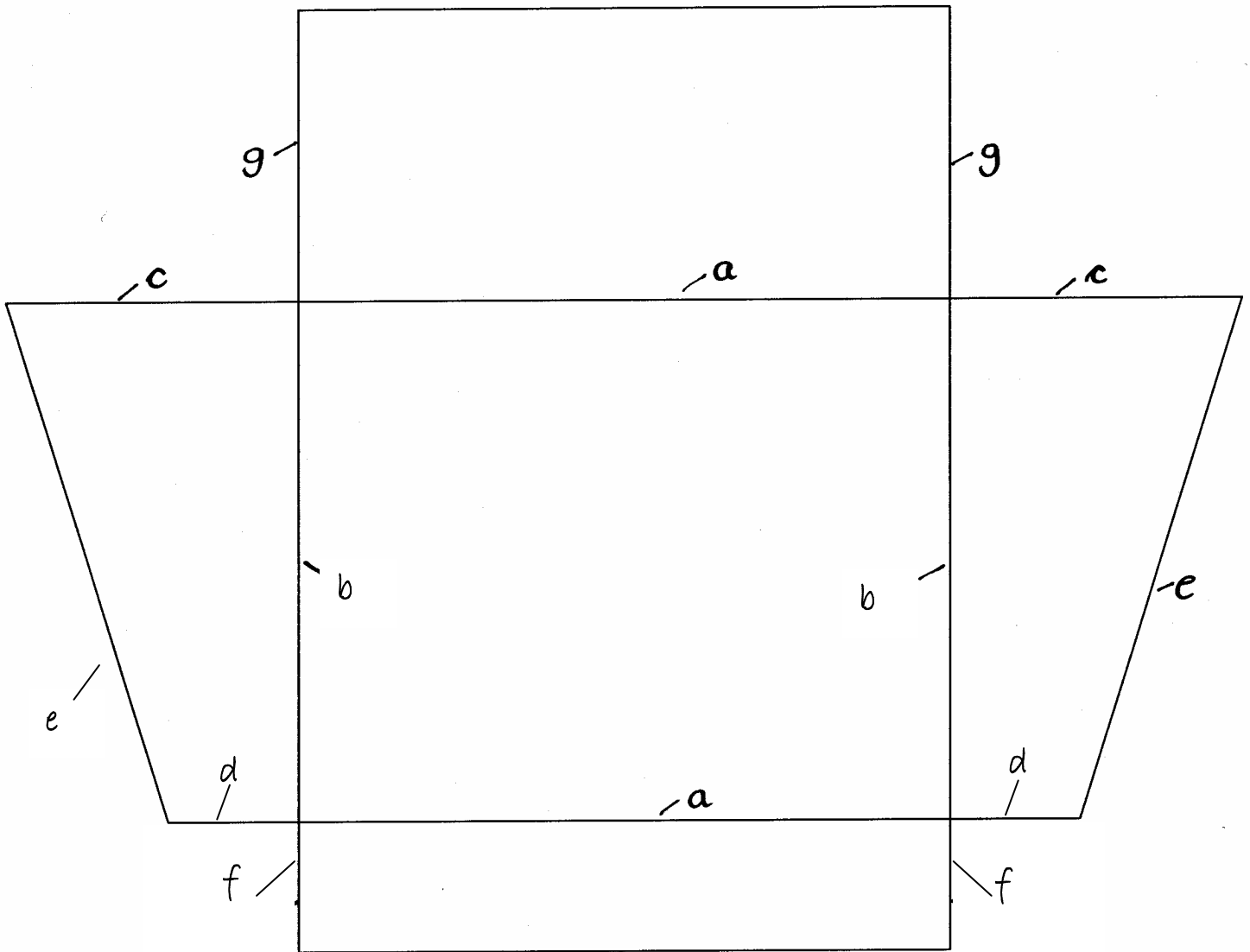


- (i) Width 1
  - (j) Line + position correct 1
  - (k) Line + position correct 1
  - (l) Button shown width correct 1
- DA 4**



- (a) Length 120 1
  - (b) Line 1
  - (c) Line 1
  - (d) Position 1
  - (e) Length 20 1
  - (f) Height 70 1
  - (g) Button position 1
  - (h) Button length + height correct 1
- DA 8**  
**Total DA 12**

Question 8

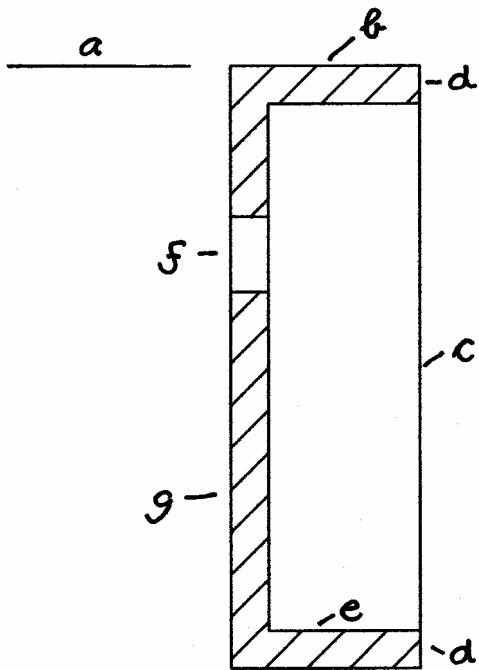


- (a) Length 100
- (b) Height 80
- (c) Width 45
- (d) Width 20
- (e) Sloping line
- (f) Width 20
- (g) Width 45

	1
	1
	1
	1
	1
	1
	1
<b>DA</b>	<b>7</b>

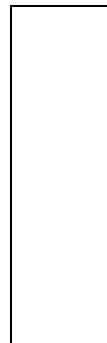


Question 9



- (a) Correct projection
- (b) Correct width
- (c) Line shown
- (d) Surface thickness
- (e) Lines correct width
- (f) Hole shown
- (g) Surface thickness
- (h) Hatching shown
- (i) Correct area hatched

	1
	1
	1
	1
	1
	1
	1
	1
	1
DA	9



[END OF MARKING INSTRUCTIONS]