



**2008 Graphic Communication**

**Standard Grade – General**

**Finalised Marking Instructions**

© Scottish Qualifications Authority 2008

The information in this publication may be reproduced to support SQA qualifications only on a non-commercial basis. If it is to be used for any other purposes written permission must be obtained from the Assessment Materials Team, Dalkeith.

Where the publication includes materials from sources other than SQA (secondary copyright), this material should only be reproduced for the purposes of examination or assessment. If it needs to be reproduced for any other purpose it is the centre's responsibility to obtain the necessary copyright clearance. SQA's Assessment Materials Team at Dalkeith may be able to direct you to the secondary sources.

These Marking Instructions have been prepared by Examination Teams for use by SQA Appointed Markers when marking External Course Assessments. This publication must not be reproduced for commercial or trade purposes.

## General

- |   |     |                      |      |
|---|-----|----------------------|------|
| 1 | (a) | Zoom, magnify, scale | KI 1 |
|   | (b) | Text                 | KI 1 |
|   | (c) | Ellipse, Iso circle  | KI 1 |
|   | (d) | Copy                 | KI 1 |
|   | (e) | Dimension            | KI 1 |
|   | (f) | Line                 | KI 1 |
|   | (g) | Hatch/pattern fill   | KI 1 |
|   | (h) | Circle               | KI 1 |
|   | (i) | Arc, Fillet          | KI 1 |
|   | (j) | Mirror               | KI 1 |

**TOTAL KI 10**

- |   |     |                                  |   |      |
|---|-----|----------------------------------|---|------|
| 2 | (a) | (i)                              | 2 point perspective, perspective                    |      |
|   |     | (ii)                             | Realistic due to the correct perspective being used | KI 2 |
|   | (b) | Floor<br>Location, Block<br>Site |   | KI 3 |
|   | (c) | 1:100                            |   | KI 1 |
|   | (d) | North point                      |   | KI 1 |

**TOTAL KI 7**

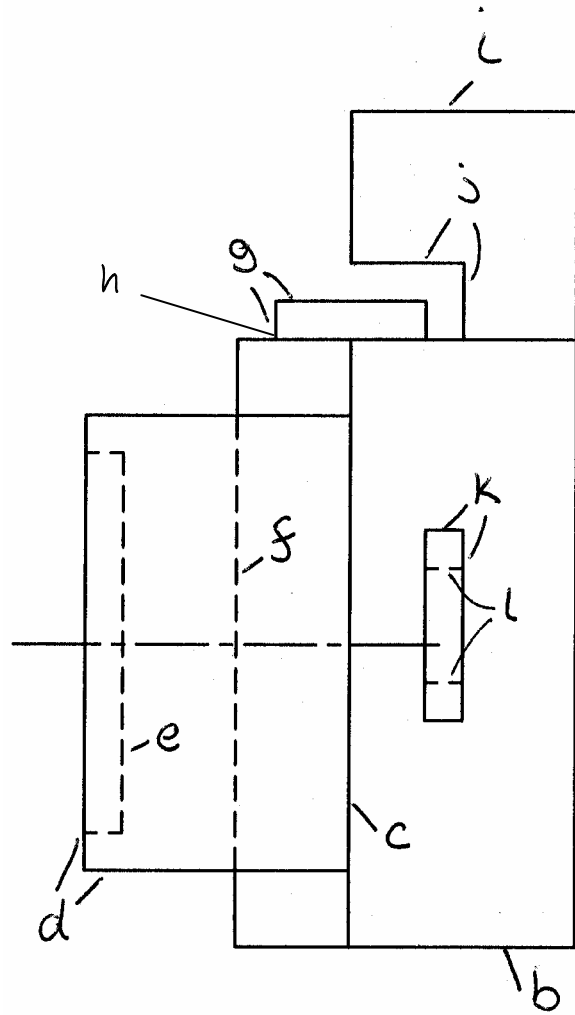
- |   |     |                                |                                     |                                |                        |      |
|---|-----|--------------------------------|-------------------------------------|--------------------------------|------------------------|------|
| 3 | (a) | <b>View P</b><br><b>View R</b> | 2Pt Perspective<br>1 Pt Perspective | <b>View Q</b><br><b>View S</b> | Planometric<br>Oblique | KI 4 |
|   | (b) | Horizon/eye level              |                                     |                                |                        | KI 1 |
|   | (c) | Angle M<br>Angle N             | 60<br>30                            |                                |                        | KI 2 |
|   | (d) | Circles remain circles         |                                     |                                |                        | KI 1 |

**TOTAL KI 8**

- 4 (a) A Warning  
 B Safe condition  
 C Prohibition KI 3
- (b) D Sawn Timber    E Brickwork    F Insulation  
 G Shower tray    H Washbasin    I Sink KI 7  
 J Bath

**TOTAL KI 10**

Question 5

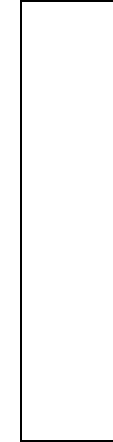


END ELEVATION

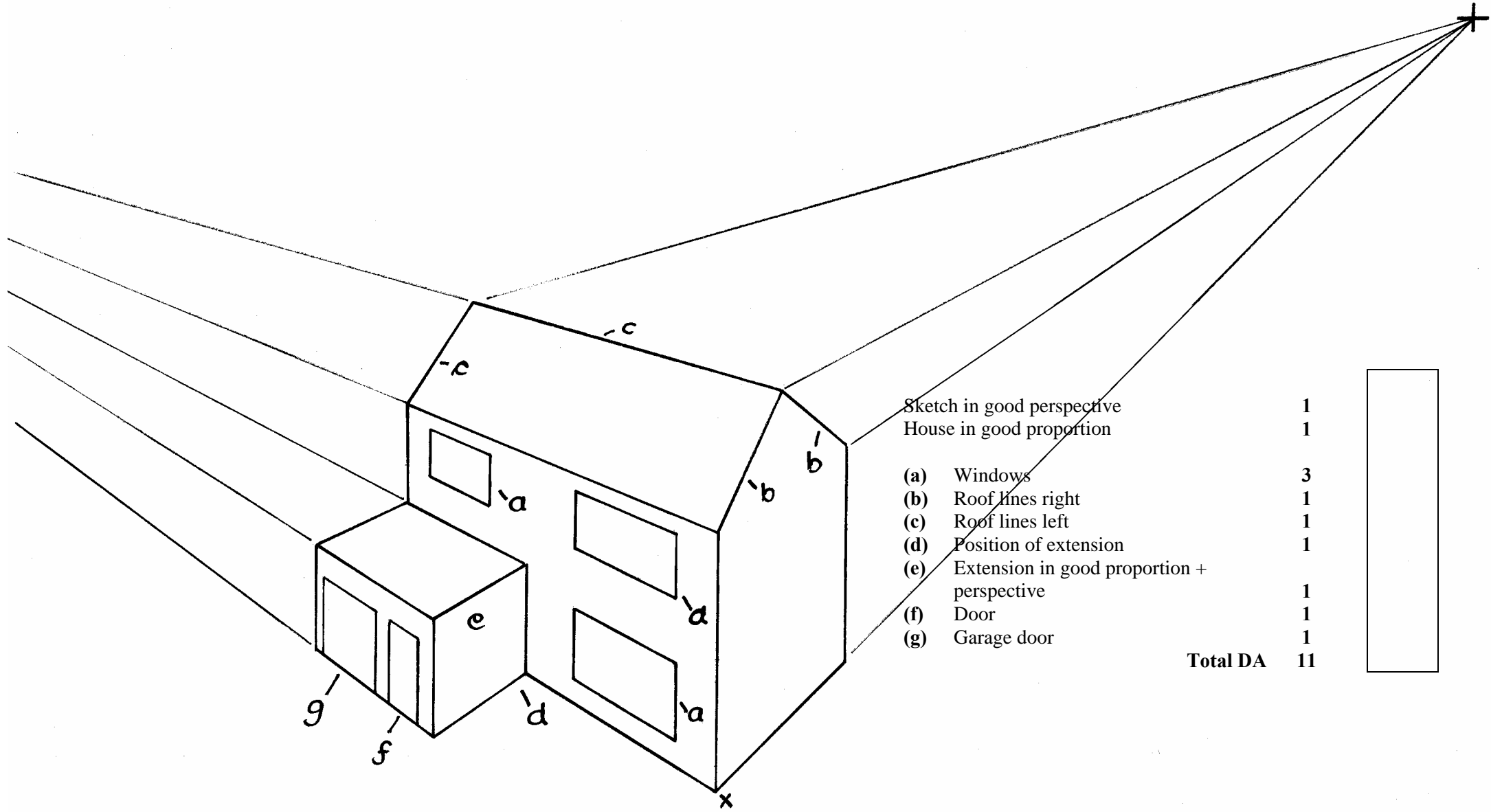
Orthographic – Camera

- (a) Correct projection 1
- (b) Body depth (45) 1
- (c) Vertical edge 1
- (d) Lens (l & h) 1
- (e) Lens recess (hidden) 1
- (f) Hidden line 1
- (g) Button size (dia & h) 1
- (h) Button position 1
- (i) Flash length 1
- (j) Flash cutaway 1
- (k) Clip (l and h) 1
- (l) Clip hidden lines 1

Total DA 12



Question 6



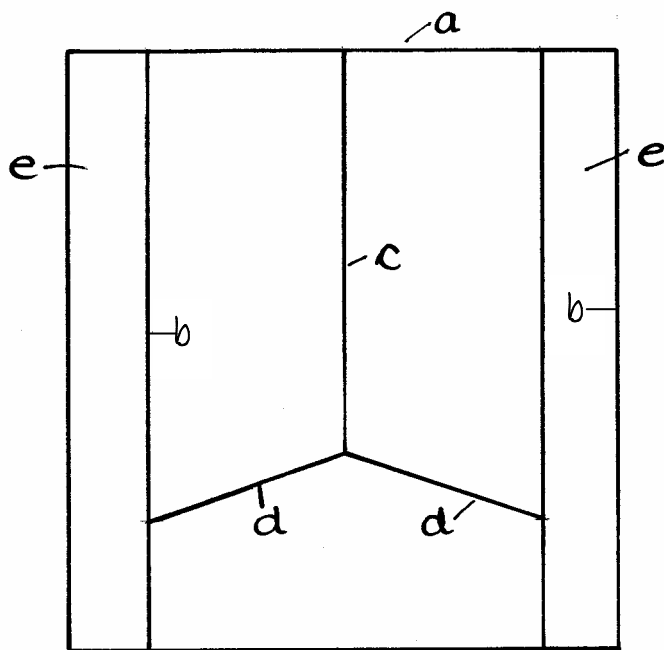
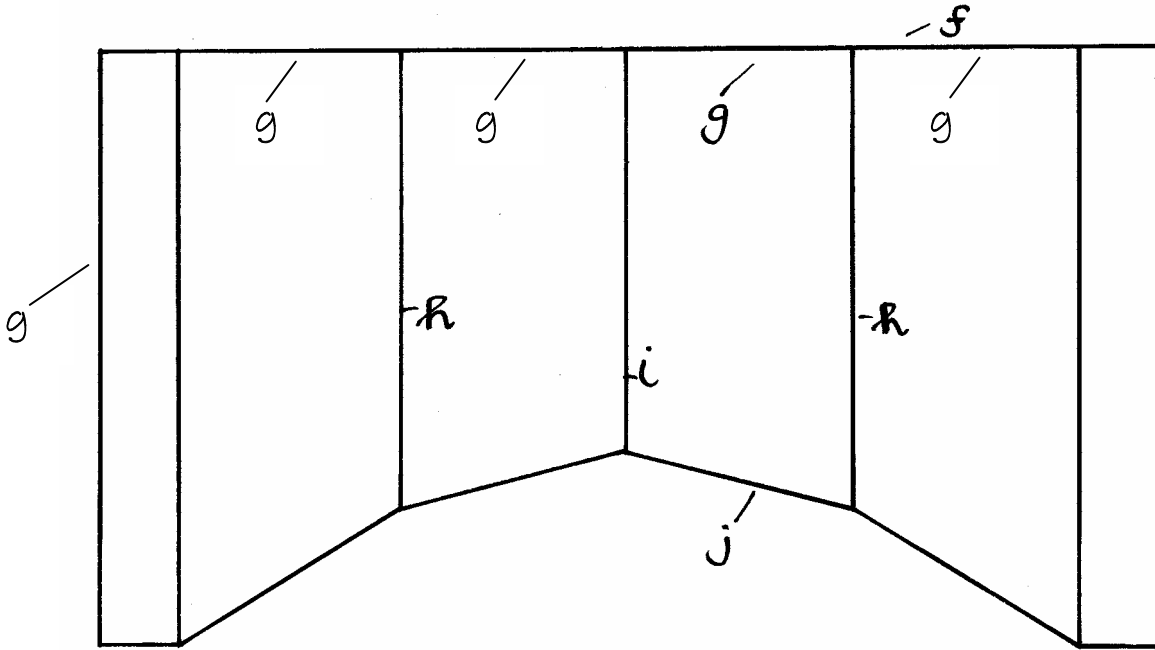
Sketch in good perspective	1
House in good proportion	1
(a) Windows	3
(b) Roof lines right	1
(c) Roof lines left	1
(d) Position of extension	1
(e) Extension in good proportion + perspective	1
(f) Door	1
(g) Garage door	1
<b>Total DA</b>	<b>11</b>

Question 7

Development

- (f) Total length (130 + tolerance) ± 5      1
- (g) 4 sides shown + rect                      1
- (h) Height (both)                                1
- (i) Height    1
- (j) Sloping lines                                 1

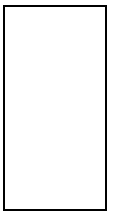
DA 5



Elevation

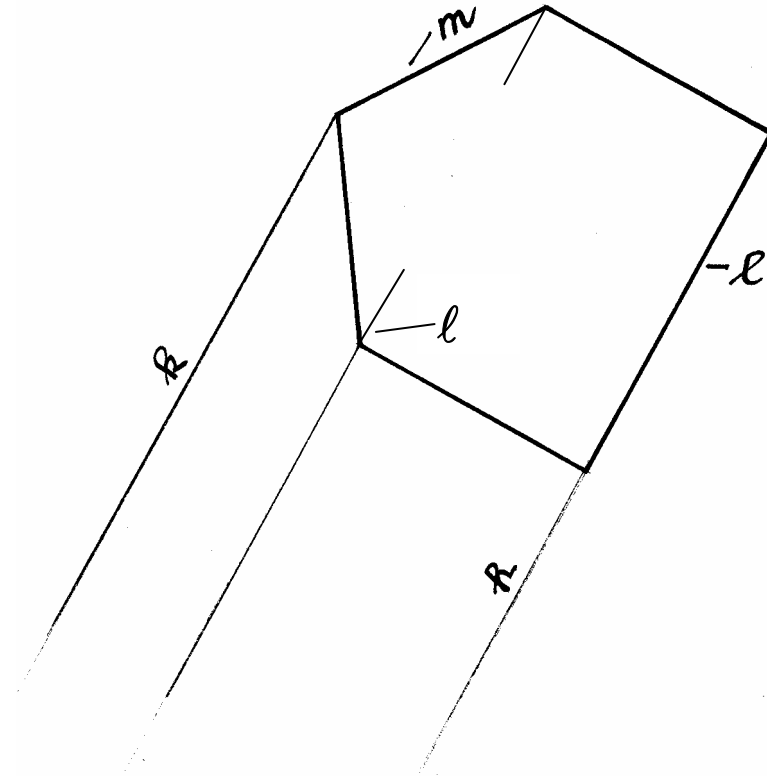
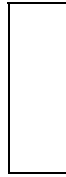
- (a) Length a/f                                 1
- (b) Height                                        1
- (c) Height                                        1
- (d) Lines                                         1
- (e) Rectangles (both)                        1

DA 5

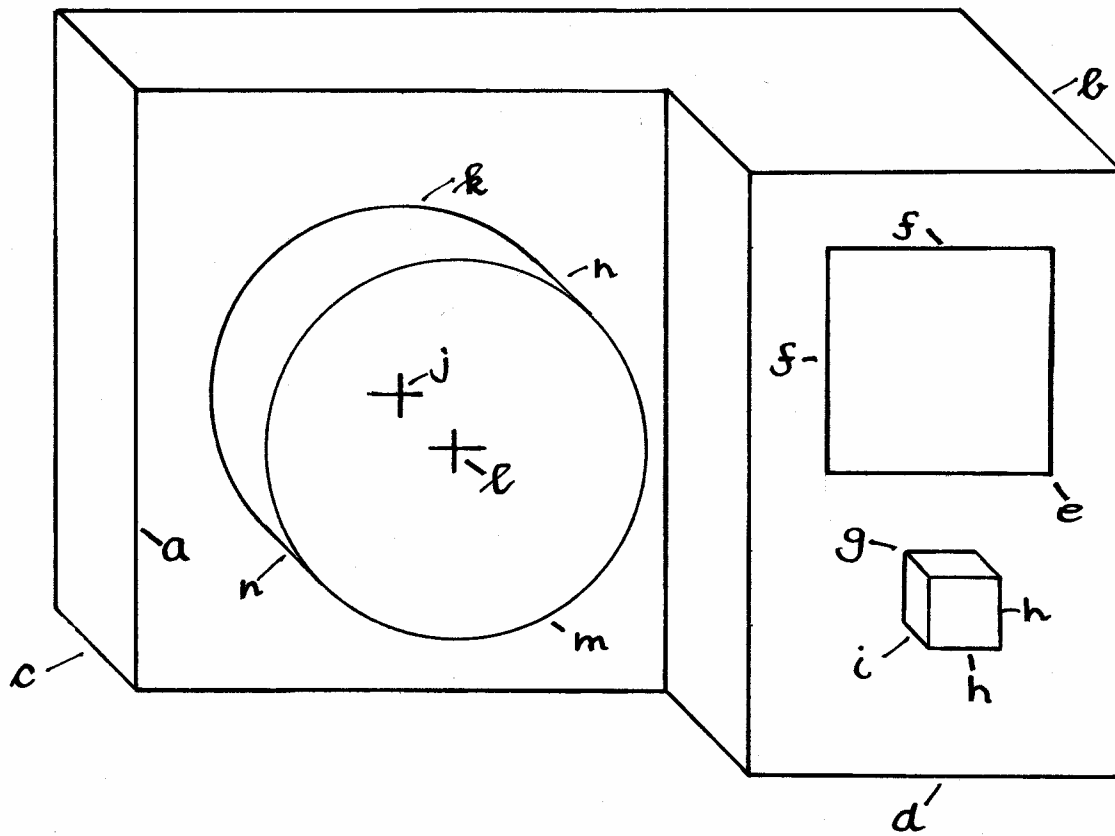


**True Shape**

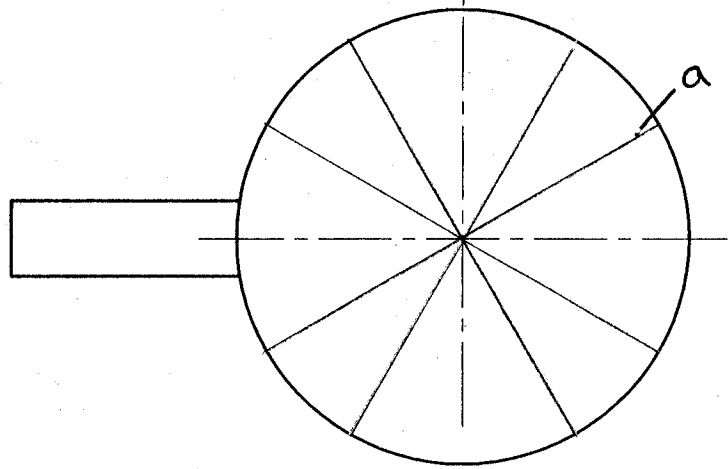
(k)	True length	1
(l)	Lengths	1
(m)	Sloping lines	1
	<b>DA</b>	<b>3</b>
	<b>Total DA</b>	<b>13</b>



Question 8



(a)	Crate height	1
(b)	Width	1
(c)	Width	1
(d)	Length	1
(e)	Position	1
(f)	Box length + height	1
(g)	Button position	1
(h)	Button length + height	1
(i)	Button width	1
(j)	Rear circle position	1
(k)	Rear circle diameter	1
(l)	Front circle position	1
(m)	Front circle diameter	1
(n)	Lines	1
<b>TOTAL DA</b>		<b>14</b>



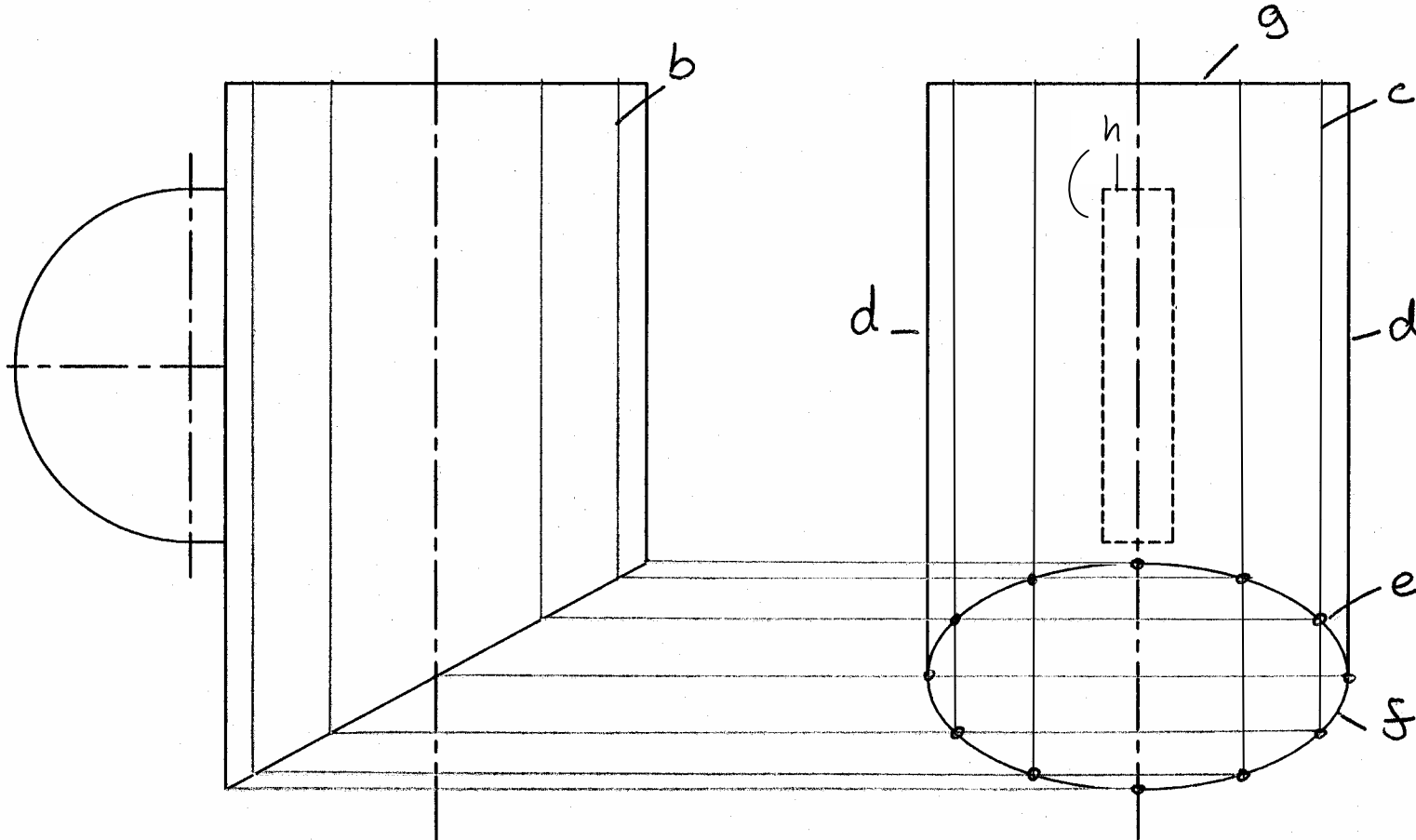
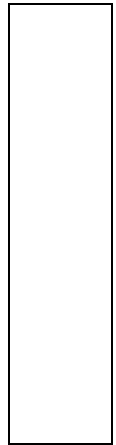
PLAN

**Question 9**

**Elevation**

- |     |   |   |
|-----|---|---|
| (a) | Div Plan (8 or 12)                                  | 1 |
| (b) | Project Div to Elev                                 | 1 |
| (c) | Project Div to End Elev                             | 1 |
| (d) | Edges of cylinder                                   | 1 |
| (e) | Establish curve points<br>(5 to 8 = 1; 9 to 11 = 2) | 2 |
| (f) | Good freehand curve                                 | 1 |
| (g) | Horizontal line                                     | 1 |
| (h) | Handle Width and height                             | 1 |
| (i) | Correct projection                                  | 1 |

DA 10



[END OF MARKING INSTRUCTIONS]