



National
Qualifications
2023 MODIFIED

X835/75/11

**Graphic Communication
Supplementary sheets**

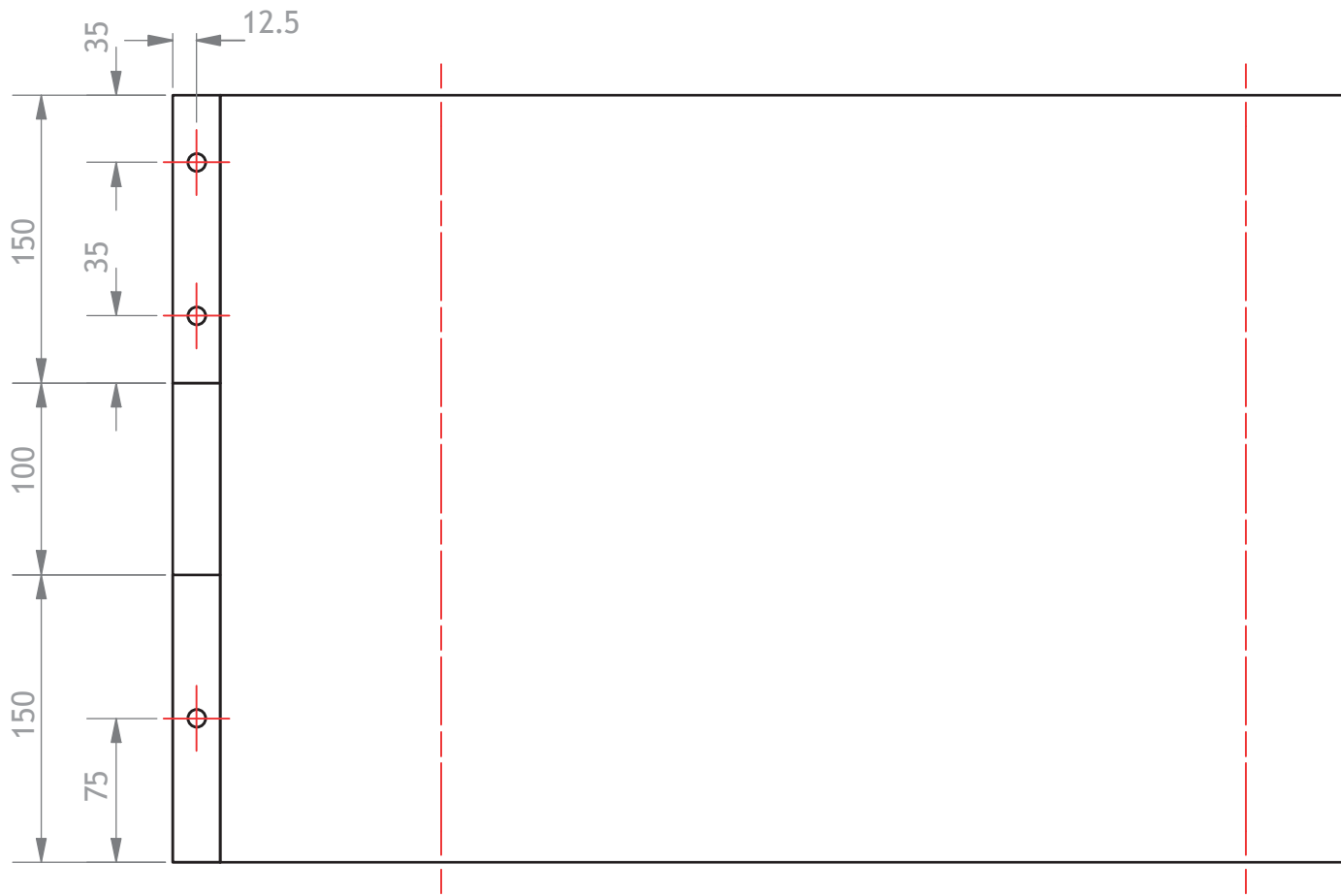
THURSDAY, 11 MAY

1:00 PM – 2:30 PM

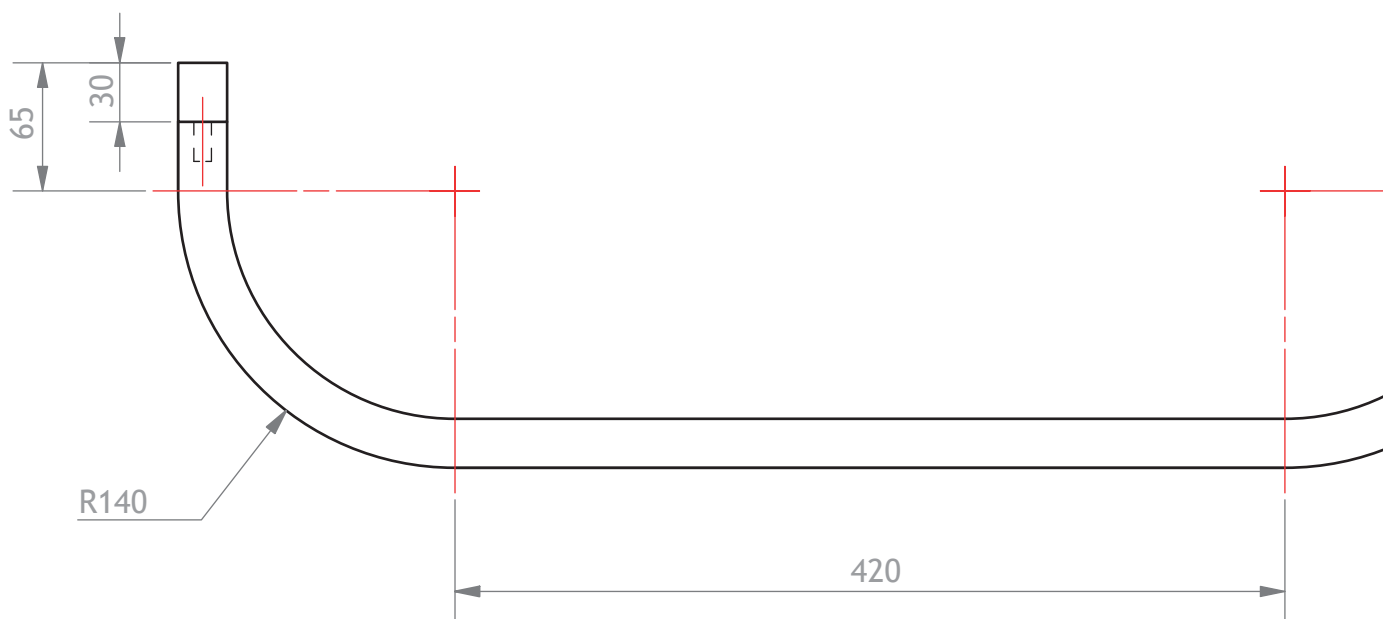
Supplementary sheets for use with questions 3 (d) and 5 (a).



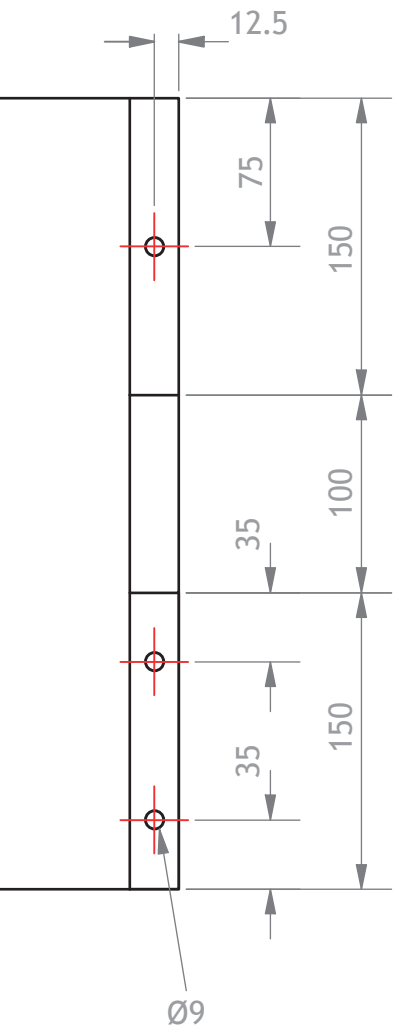
* X 8 3 5 7 5 1 1 *



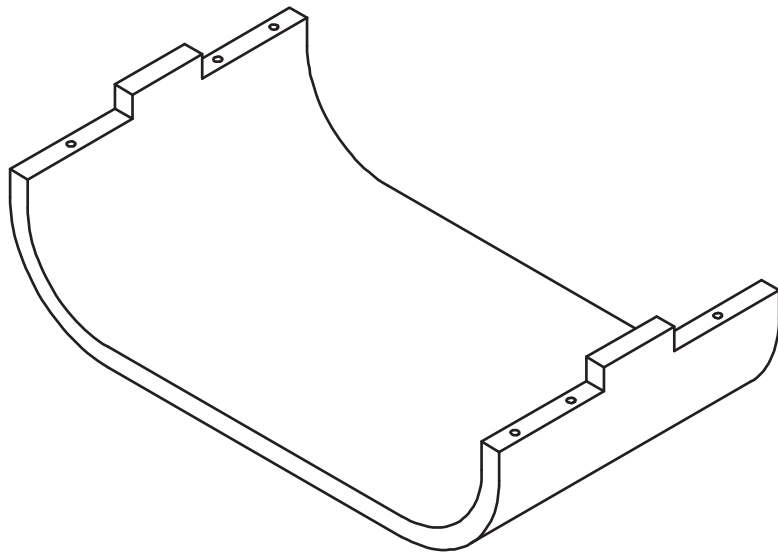
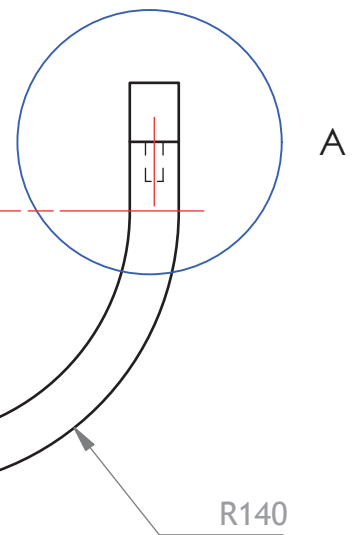
PLAN



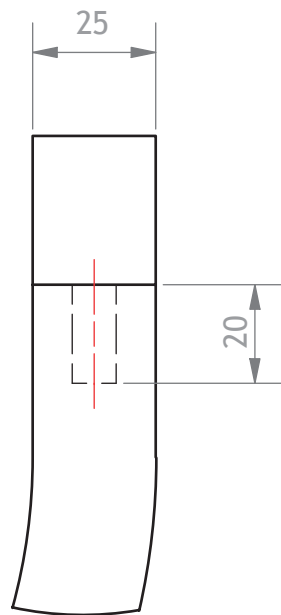
ELEVATION



NOTE: ALL HOLES $\varnothing 9$



PICTORIAL VIEW



ENLARGED DETAIL OF A SHOWING HOLE DEPTH

STAND BASE	

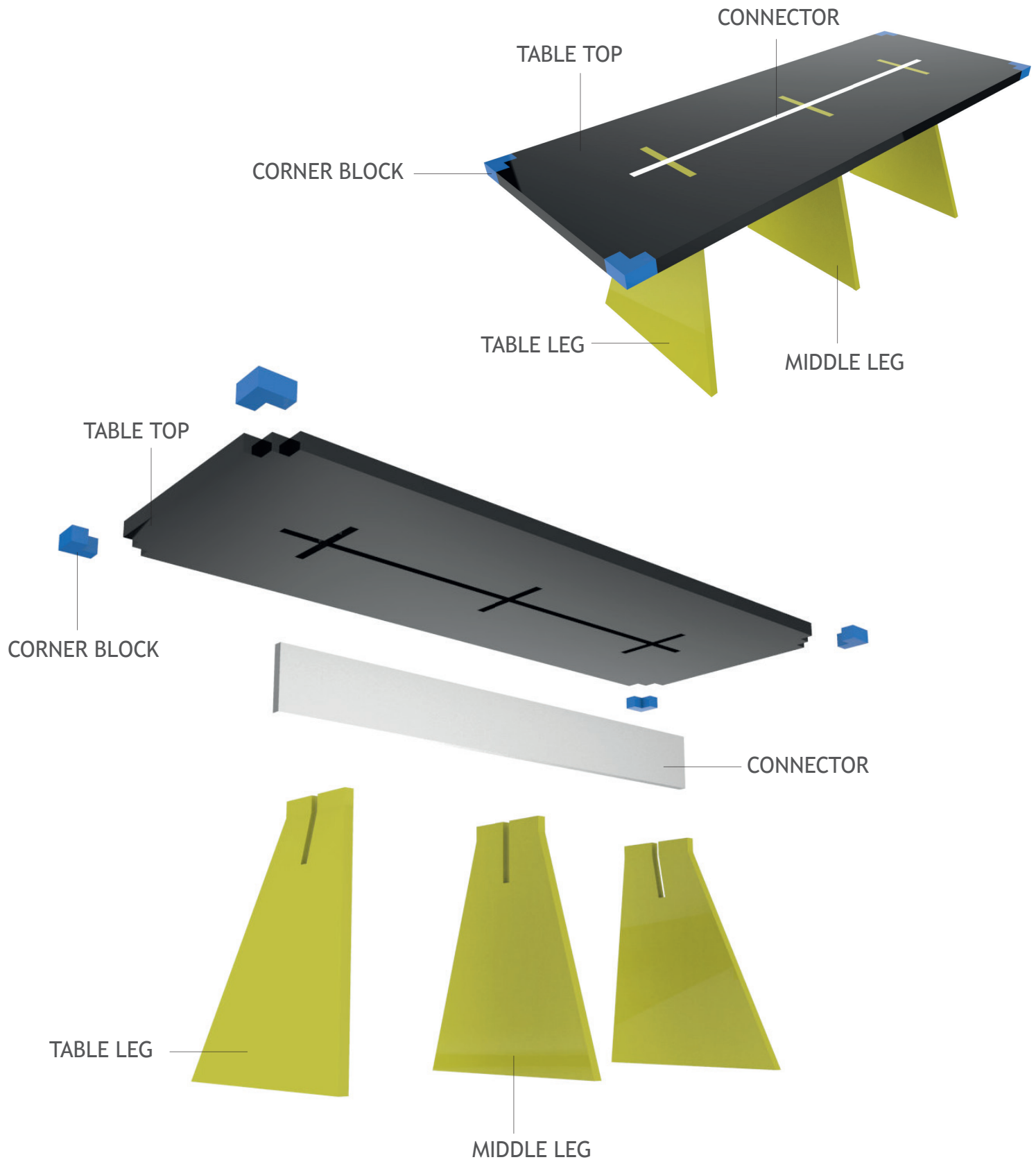
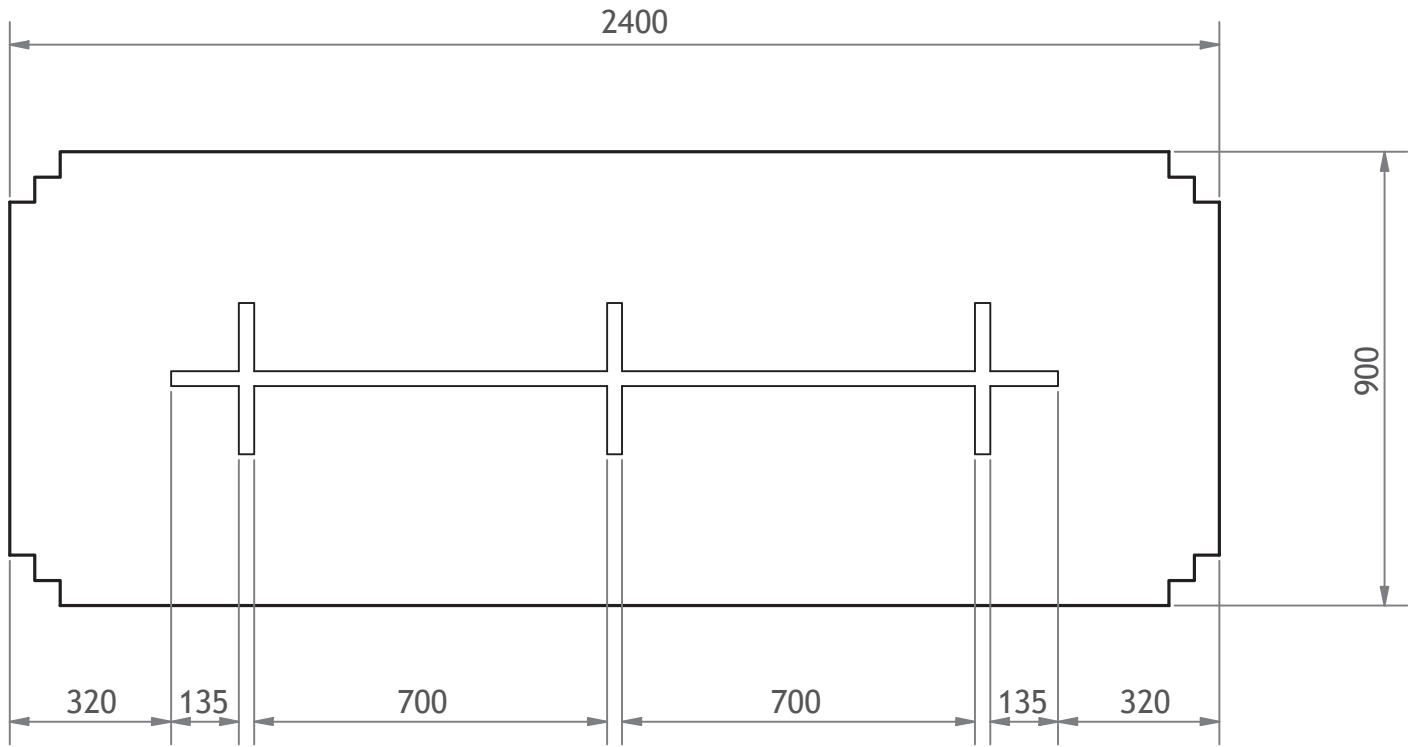
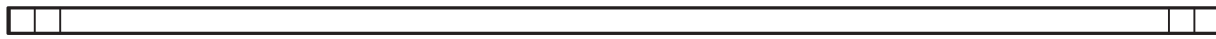


TABLE TOP
NOT TO SCALE



PLAN



ELEVATION

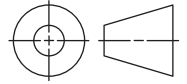
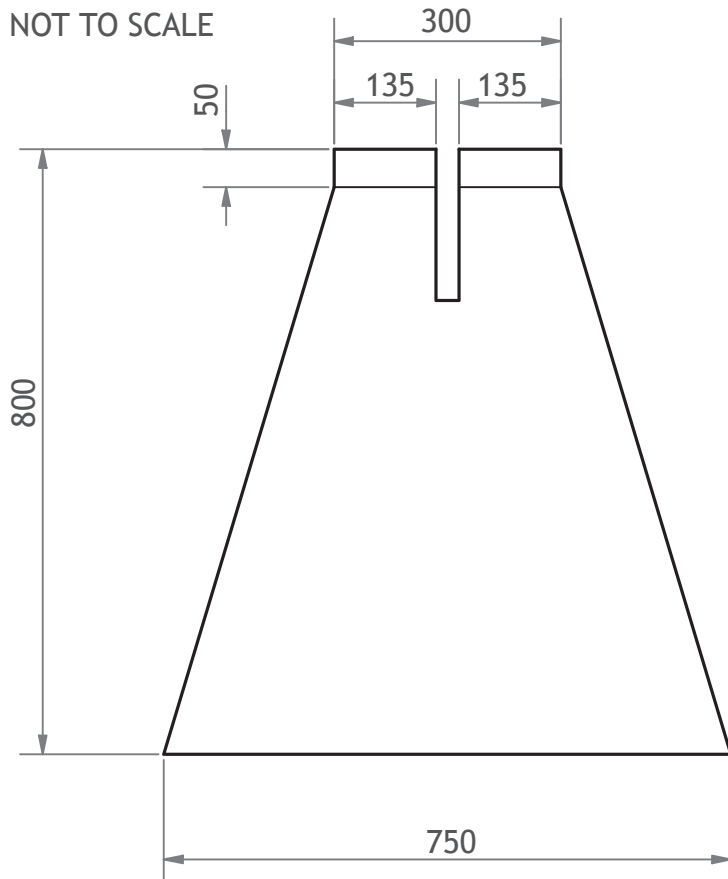
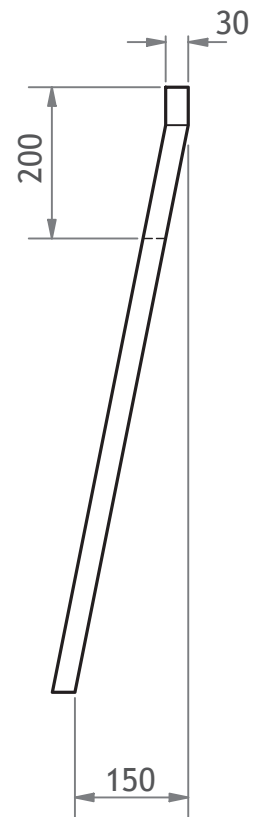


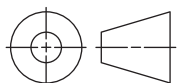
TABLE LEG
NOT TO SCALE



ELEVATION



END ELEVATION



[BLANK PAGE]

DO NOT WRITE ON THIS PAGE

[BLANK PAGE]

DO NOT WRITE ON THIS PAGE

[BLANK PAGE]

DO NOT WRITE ON THIS PAGE