

STAPLE HERE

FOR OFFICIAL USE

--	--	--	--	--	--

## X033/10/01

NATIONAL  
QUALIFICATIONS  
2013

TUESDAY, 21 MAY  
1.00 PM – 3.00 PM

GRAPHIC  
COMMUNICATION  
INTERMEDIATE 1

Fill in these boxes and read what is printed below.

Full name of centre

Town

Forename(s)

Surname

Date of birth

Day Month Year

--	--	--	--	--	--	--	--

Scottish candidate number

--	--	--	--	--	--	--	--	--	--

Number of seat

**70 marks are allocated to this paper**

- 1 Answer **all** questions.
- 2 Read each question carefully before you answer.
- 3 Written answers may be in **ink** or **pencil**.
- 4 Drawings and sketches **must be in pencil**.
- 5 Dimensions are given in millimetres or as stated.
- 6 Orthographic drawings are in third angle projection.

**At the end of the examination**

check that your name is on every sheet;  
put the sheets in correct numerical order;  
place this sheet on top of the others;  
join all sheets together by **stapling** at the top left-hand corner;  
before leaving the examination room, you must give these sheets to the Invigilator  
(if you do not you may lose all the marks for this paper).

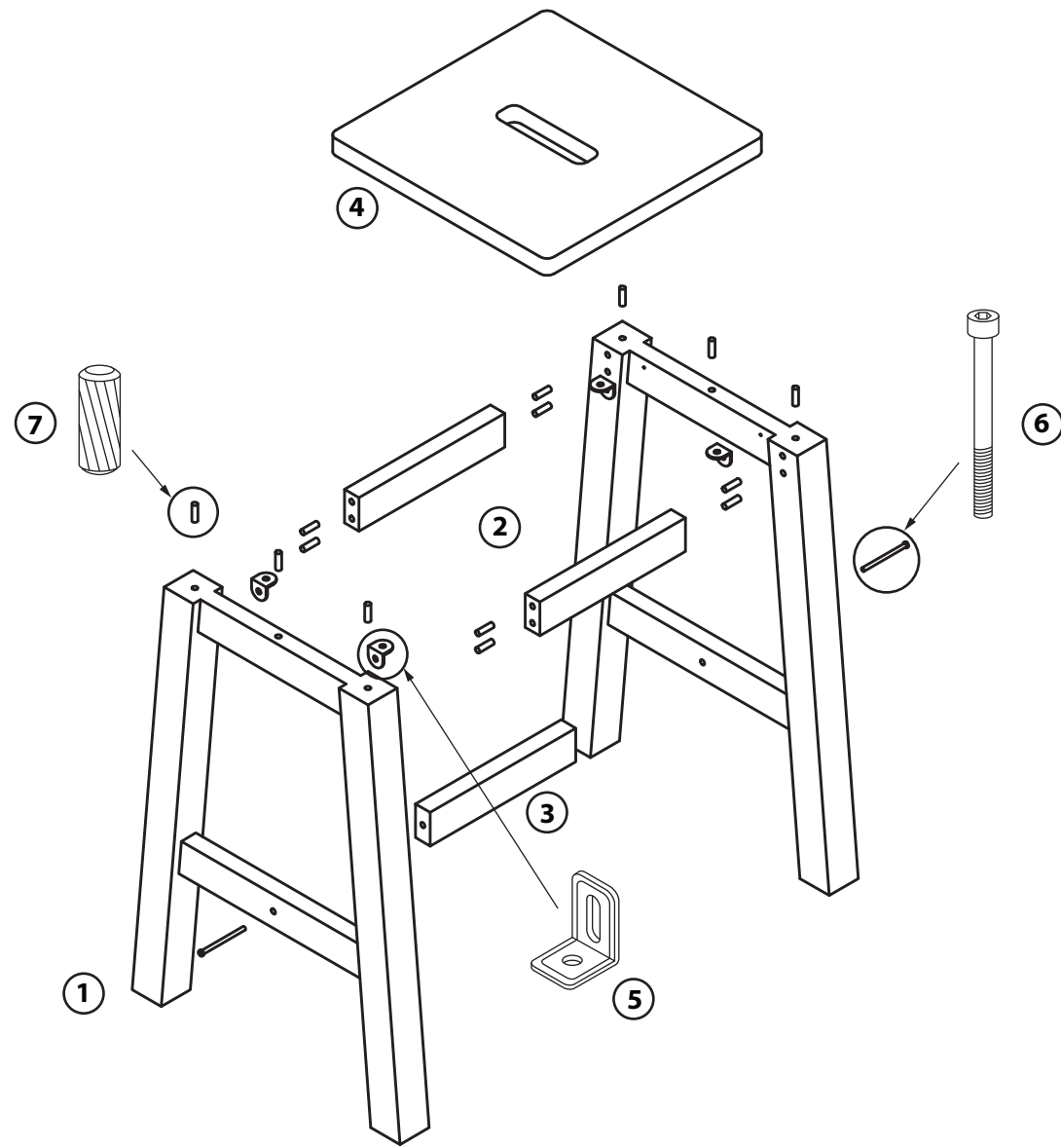
Question	Marks
1	
2	
3	
4	
5	
6	
7	
8	
Total Marks	



[BLANK PAGE]

1

An exploded pictorial view and a parts list for a small stool are shown below.



ITEM NO.	Part Number	NAME / DIMENSIONS	MATERIAL	NO. REQUIRED
1	111631	A - Frame 500 x 300 x 40	Pine	2
2	103404	Top Bar 200 x 40 x 20	Pine	2
3	103405	Centre Bar 220 x 40 x 20	Pine	1
4	102600	Stool Top 350 x 350 x 20	Pine	1
5	102646	Angled Bracket	Steel	4
6	101350	Bolt - M8 x 60mm	Steel	2
7	100159	Dowel Ø8 x 20mm	Ramin	14

(a) State the material of part 103404.

.....

1

(b) State the length of the Centre Bar.

.....

1

(c) State how many Angled Brackets are required for the assembly.

.....

1

(d) State the diameter of part 101350.

.....

1

(e) State the part number for the A-Frame.

.....

1

(5 marks)

2

A playgroup has decided to decorate one of their playrooms. Blue was the colour suggested.

(a) State the **two** other primary colours that could have been chosen.

(i) .....

(ii) .....

2

(b) State a secondary colour that contrasts with blue.

.....

1

(c) State how a secondary colour is created.

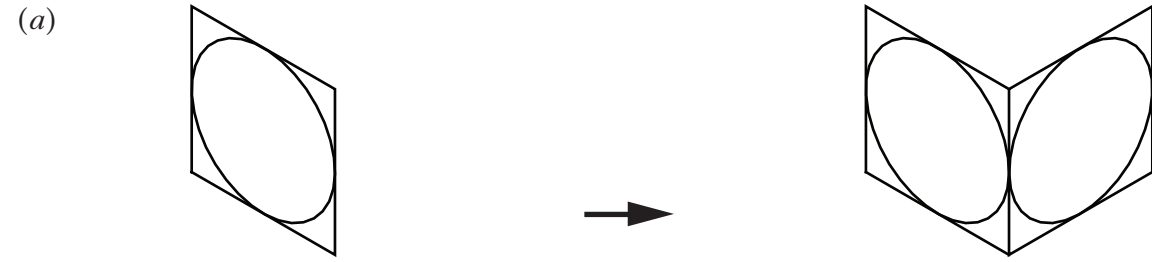
.....

1

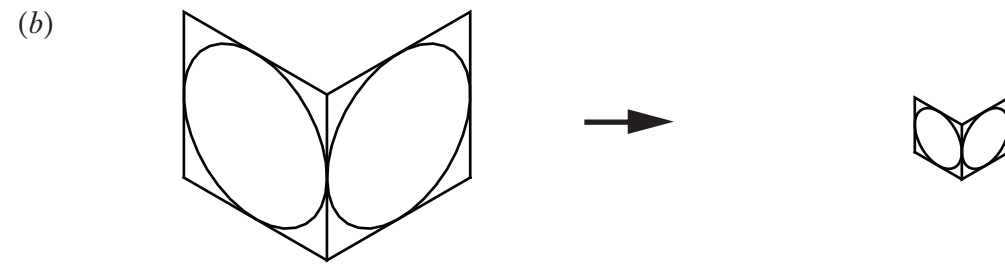
(4 marks)

3

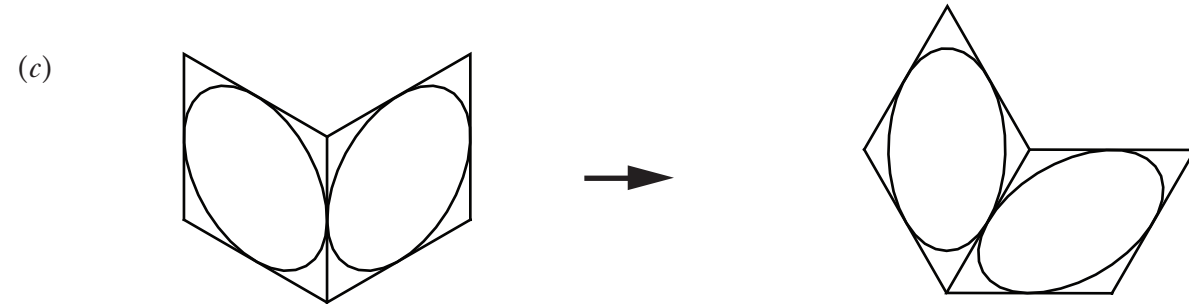
The stages in creating a CAD drawing are shown below.  
State the single command that would be used for each stage.



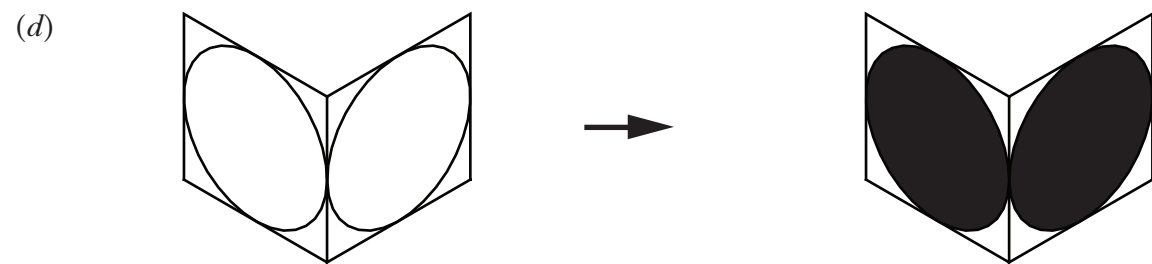
Single command ..... 1



Single command ..... 1



Single command ..... 1



Single command ..... 1

(4 marks)

4

A new menu design is required for a fast food take-away. In the space below sketch, approximately to scale, a menu layout using the items listed below.

- (a) A portrait page 100 mm × 150 mm 1
- (b) A header stating "Lunch on the Move" 1
- (c) A margin on each side of 10 mm 1
- (d) Two equal columns for text 1

(4 marks)

5

An isometric view and the end elevation of a chair are given.

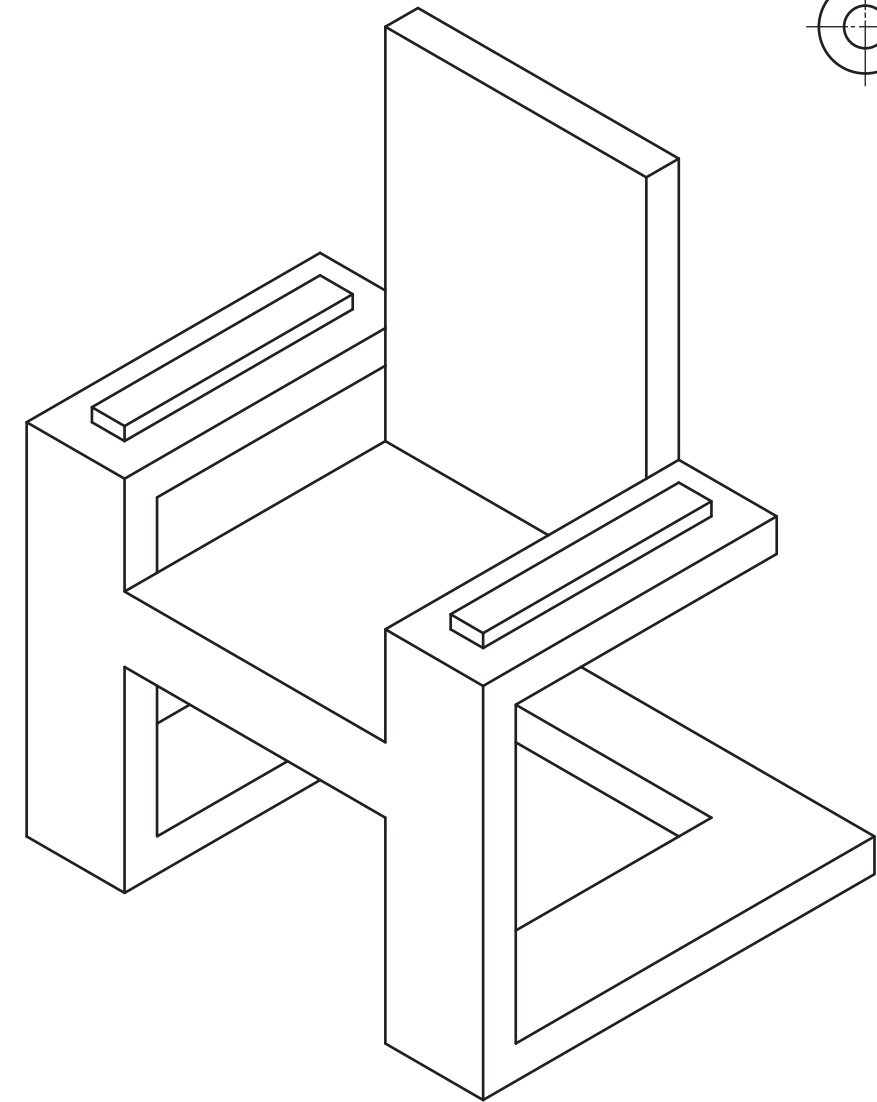
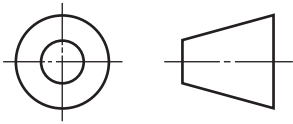
Draw, full size, in the positions indicated:

- (a) the elevation;
- (b) the plan.

Show all hidden detail.

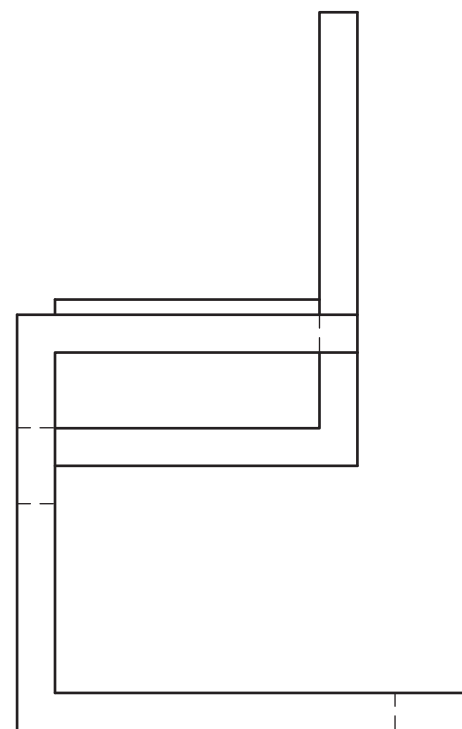
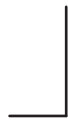
(12 marks)

5



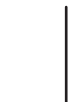
Isometric View  
Scale 1:1

Plan



End Elevation

Elevation



<i>a</i>	
<i>b</i>	
<i>c</i>	
<i>d</i>	
<i>e</i>	
<i>f</i>	
<i>g</i>	
<i>h</i>	
<i>i</i>	
<i>j</i>	
<i>k</i>	
<i>l</i>	
<i>m</i>	
<i>n</i>	

Candidate's Name \_\_\_\_\_

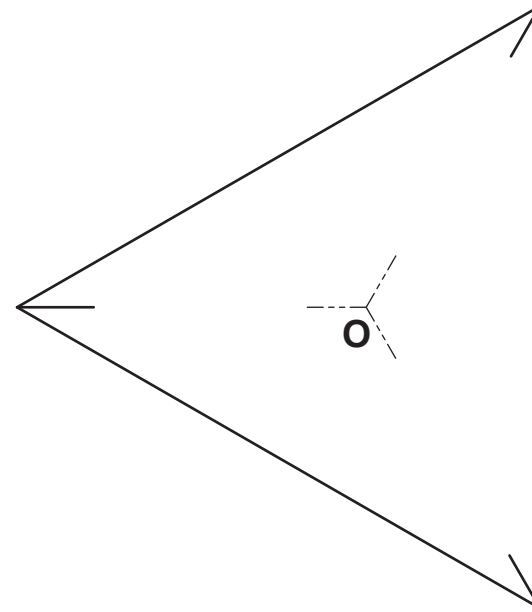
6

The elevation and incomplete plan of a jelly mould based on a hollow triangular pyramid are given.

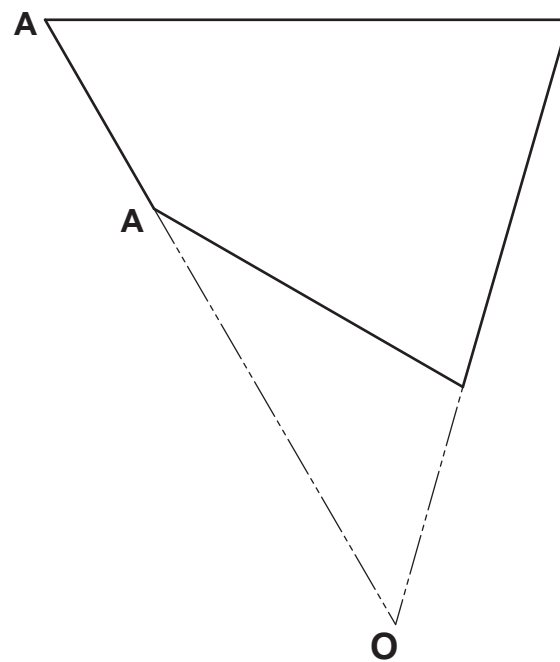
Draw, in the positions indicated:

- (a) the **complete** plan;
- (b) the end elevation;
- (c) the development of the sloping sides of the jelly mould opened along seam **A-A**.

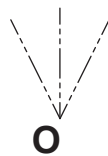
(13 marks)



Plan

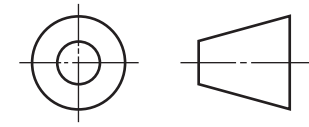


Elevation



End Elevation

Development



6

<i>a</i>	
<i>b</i>	
<i>c</i>	
<i>d</i>	
<i>e</i>	
<i>f</i>	
<i>g</i>	
<i>h</i>	
<i>i</i>	
<i>j</i>	
<i>k</i>	
<i>l</i>	
<i>m</i>	
<i>n</i>	

7

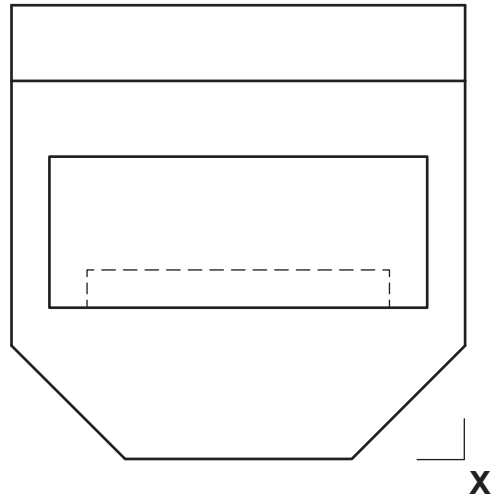
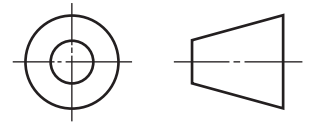
The elevation, end elevation and plan of a phone and charger are given.

Draw, in the position indicated, an **exploded** isometric view of the phone and charger.

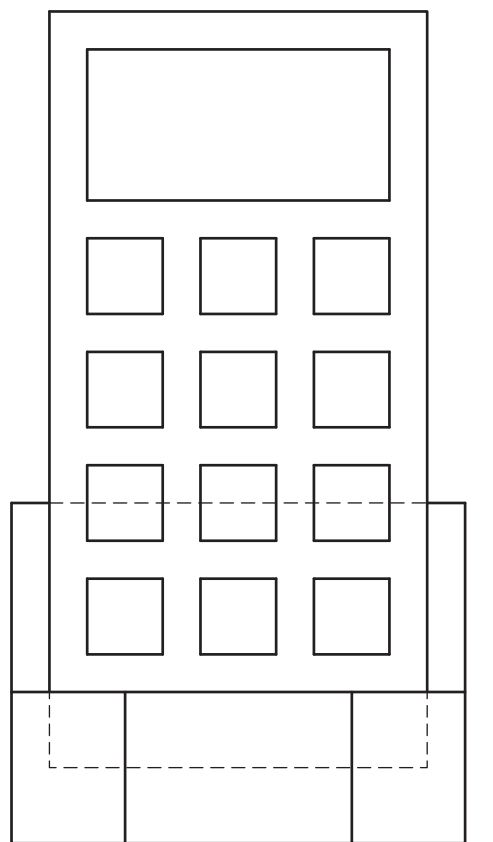
Do not show hidden detail.

(14 marks)

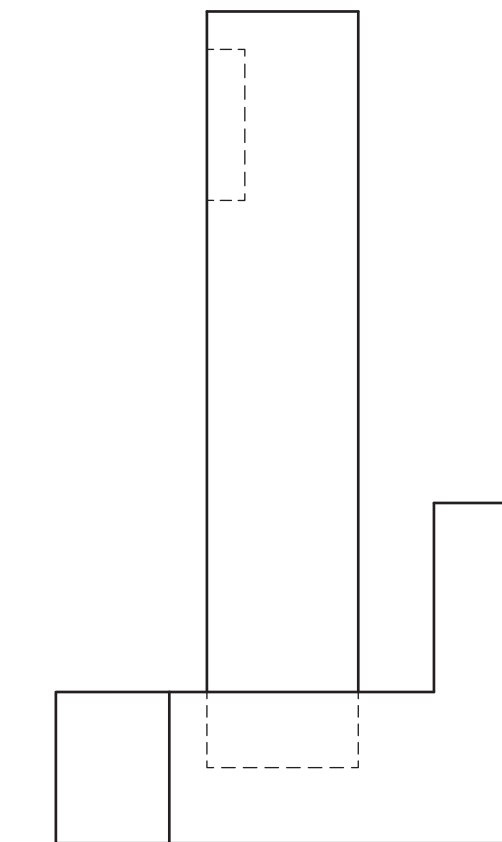
7



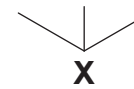
Plan



Elevation



End Elevation



Exploded Isometric View

<i>a</i>	
<i>b</i>	
<i>c</i>	
<i>d</i>	
<i>e</i>	
<i>f</i>	
<i>g</i>	
<i>h</i>	
<i>i</i>	
<i>j</i>	
<i>k</i>	
<i>l</i>	
<i>m</i>	
<i>n</i>	

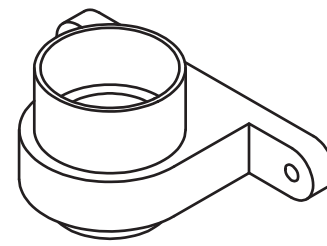
8

The elevation and plan of a cup and cup holder are given. A pictorial view is shown opposite.

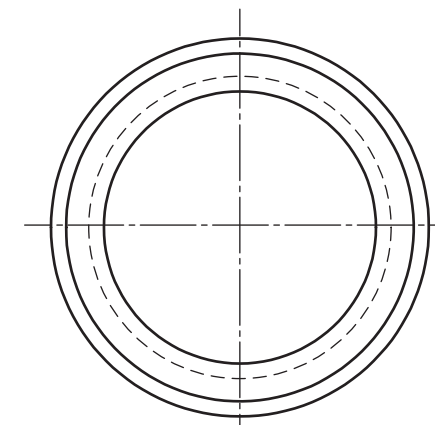
Draw, full size, in the positions indicated:

- (a) the completed plan of the assembled cup and cup holder;  
**Show all hidden detail.**
- (b) the completed elevation of the assembled cup and cup holder;  
**Show all hidden detail.**
- (c) the sectional end elevation on **X-X** of the assembled cup and cup holder.  
**Do not show hidden detail.**

(14 marks)

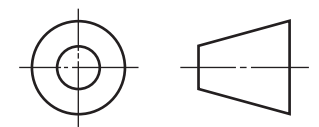


Pictorial View



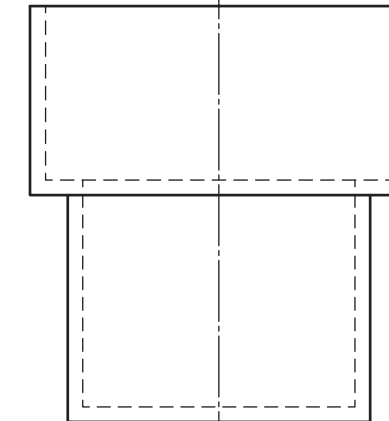
Cup

Plan



8

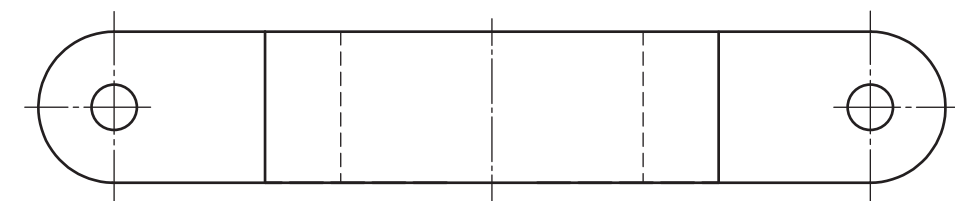
a	
b	
c	
d	
e	
f	
g	
h	
i	
j	
k	
l	
m	
n	



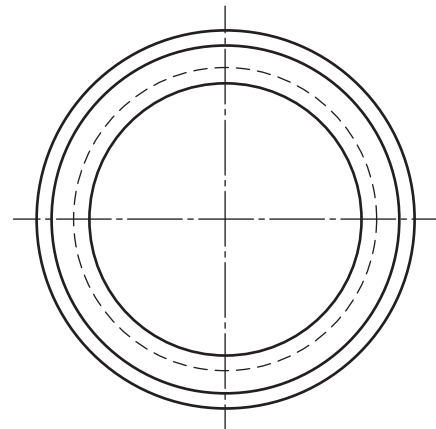
Elevation

Cup Holder

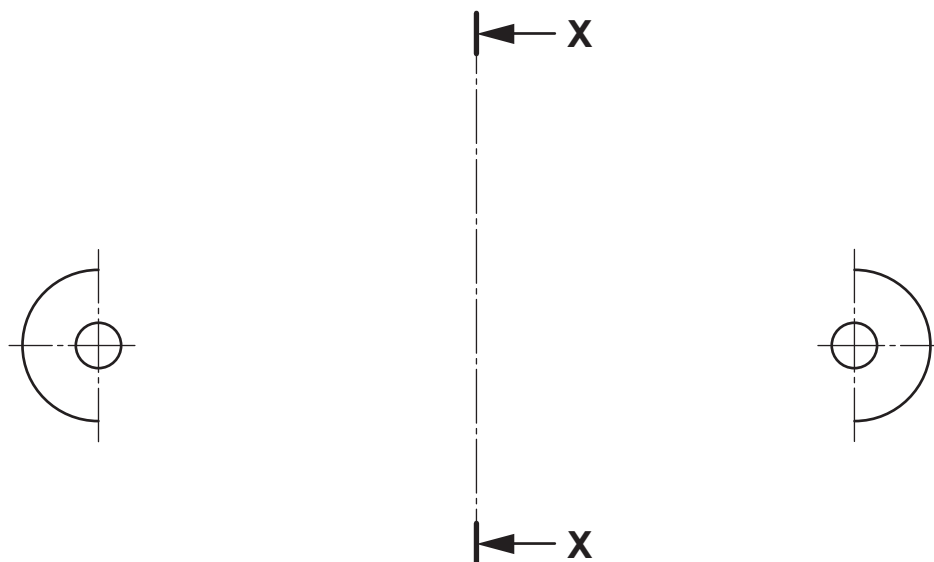
Plan



Elevation



Plan



Elevation

Sectional End Elevation X-X



[END OF QUESTION PAPER]

Candidate's Name \_\_\_\_\_