

STAPLE HERE

FOR OFFICIAL USE

--	--	--	--	--	--

X033/11/01

NATIONAL
QUALIFICATIONS
2012

FRIDAY, 18 MAY
1.00 PM – 3.30 PM

GRAPHIC
COMMUNICATION
INTERMEDIATE 2

Fill in these boxes and read what is printed below.

Full name of centre

Town

Forename(s)

Surname

Date of birth

Day Month Year

--	--	--	--	--	--	--	--

Scottish candidate number

--	--	--	--	--	--	--	--	--	--	--	--	--

Number of seat

70 marks are allocated to this paper

- 1 Answer **all** questions.
- 2 Read each question carefully before you answer.
- 3 Written answers may be in **ink** or **pencil**.
- 4 Drawings and sketches **must be in pencil**.
- 5 Dimensions are given in millimetres or as stated.
- 6 Orthographic drawings are in third angle projection.

At the end of the examination

check that your name is on every sheet;
put the sheets in correct numerical order;
place this sheet on top of the others;
join all sheets together by **stapling** at the top left-hand corner;
before leaving the examination room, you must give these sheets to the Invigilator
(if you do not you may lose all the marks for this paper).

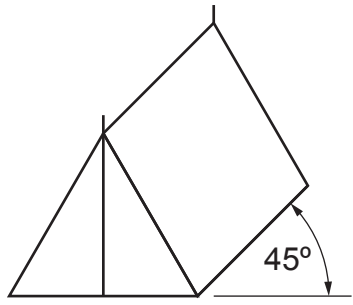
Question	Marks
1	
2	
3	
4	
5	
6	
7	
8	
9	
Total Marks	



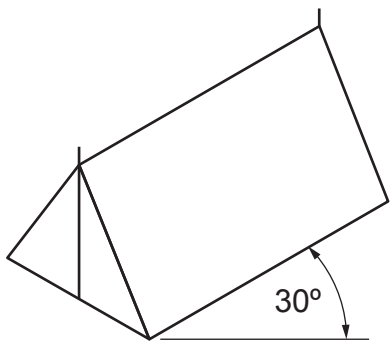
[BLANK PAGE]

1

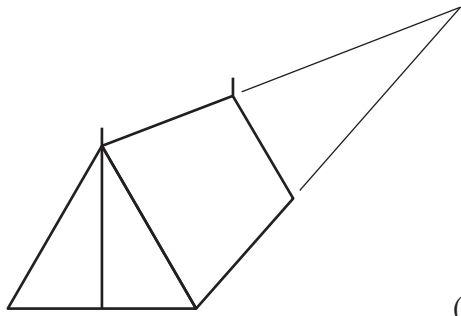
Four pictorial views of a tent are shown below. State the **drawing type** used in each of the views.



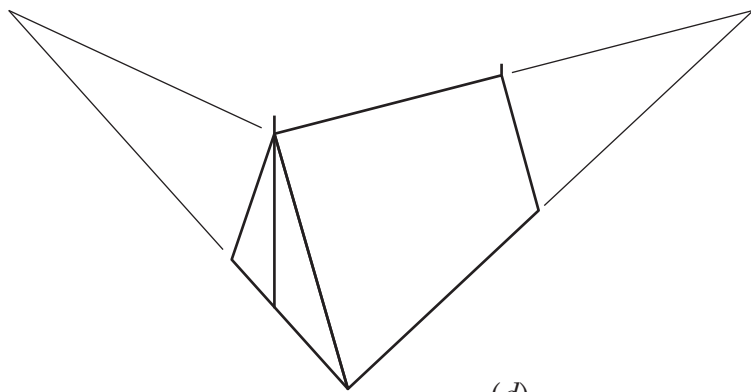
(a) (1)



(b) (1)



(c) (1)



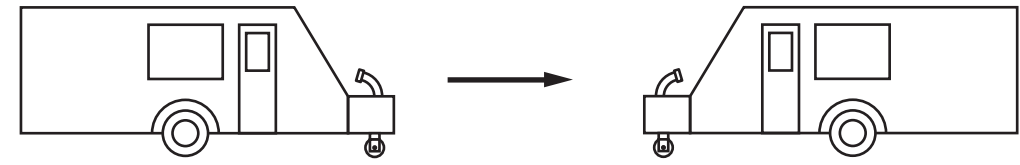
(d) (1)

(4 marks)

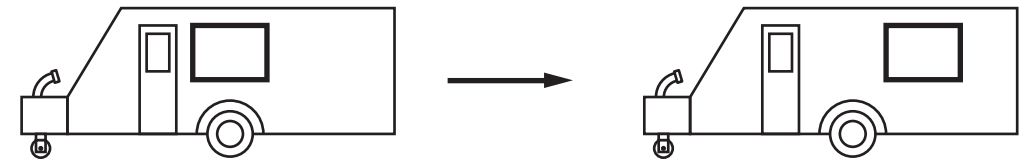
2

The various stages in producing a CAD drawing of a caravan are shown below.

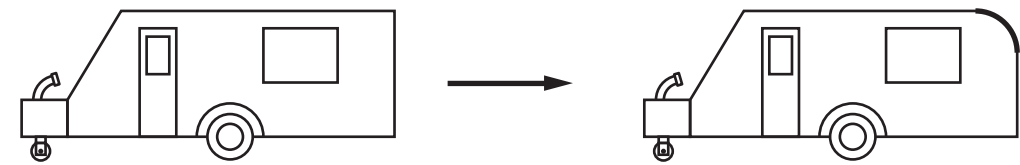
Identify the **single** command used to produce each stage.



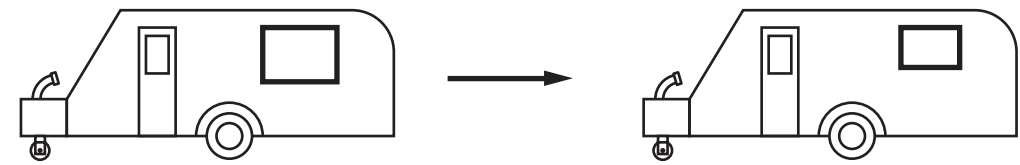
(a) (1)



(b) (1)



(c) (1)



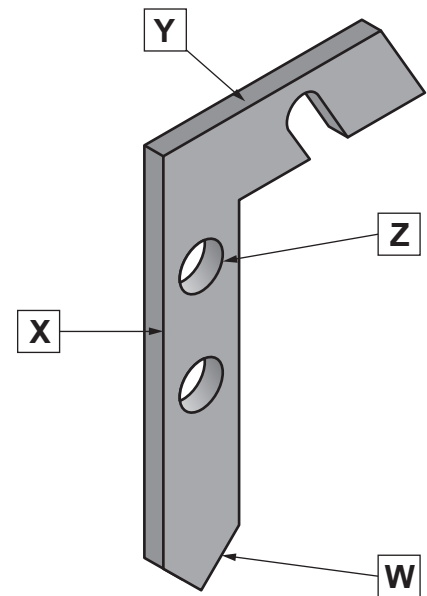
(d) (1)

(4 marks)

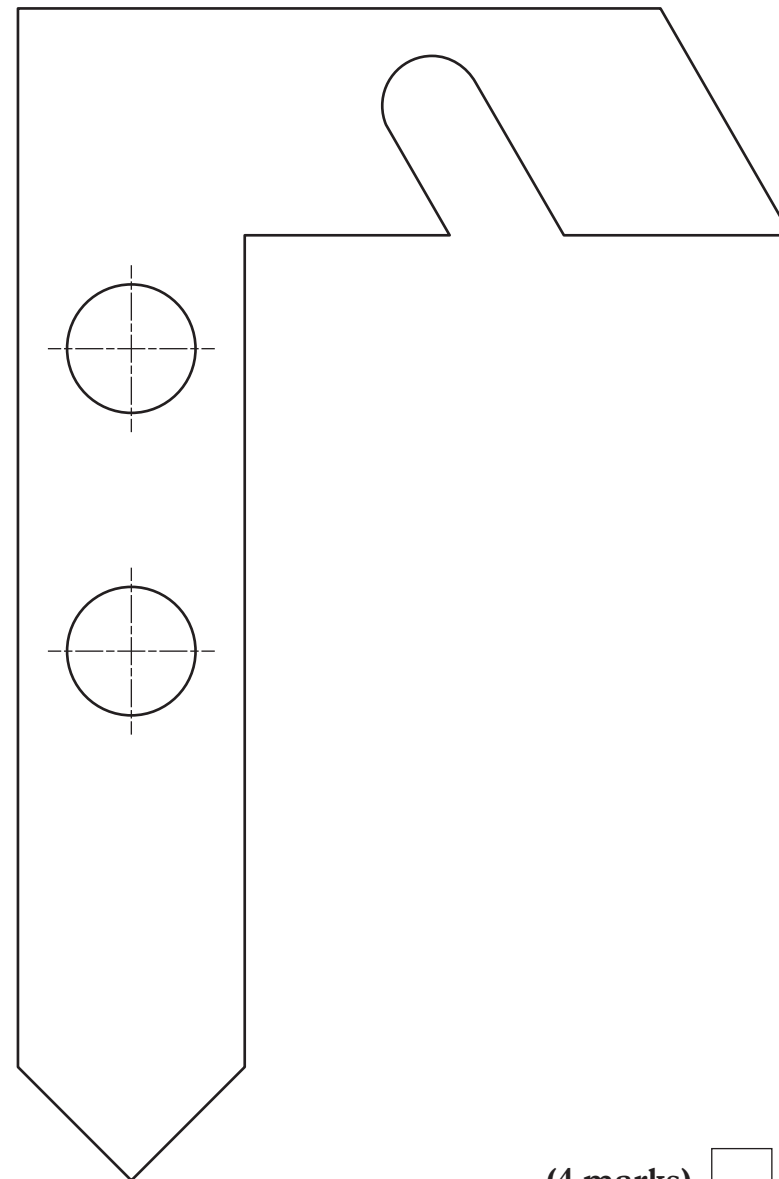
3

A pictorial view and elevation of a new tent peg design are given below.
Add the following dimensions to the elevation, according to British Standards.

- (a) Angle **W** **45 degrees** **(1)**
- (b) Length of edge **X** **140 mm** **(1)**
- (c) Length of edge **Y** **85 mm** **(1)**
- (d) Diameter **Z** **17 mm** **(1)**



Pictorial view not to scale

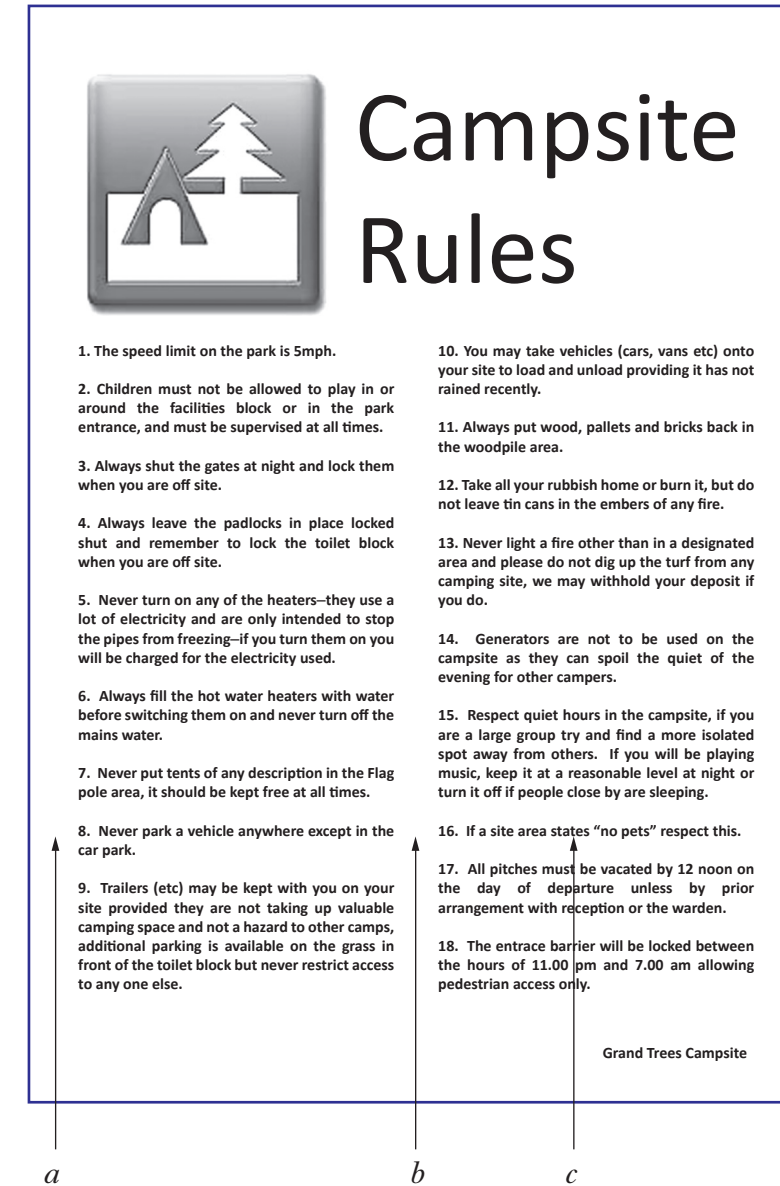


Elevation shown at scale 1 : 1

(4 marks)

4

A desktop published document is shown below. State the DTP features indicated.



- (a) (1)
- (b) (1)
- (c) (1)
- (d) State the page orientation of the document shown above.
..... (1)

(4 marks)

A holiday camp has designed a new staff uniform.
An illustration of this is shown opposite.

(a) Red was chosen for the jacket colour. State **one** reason for this.

.....
..... (1)

(b) State a **tertiary** colour which contrasts with the red jacket, which could be used for the campsite logo.

..... (1)

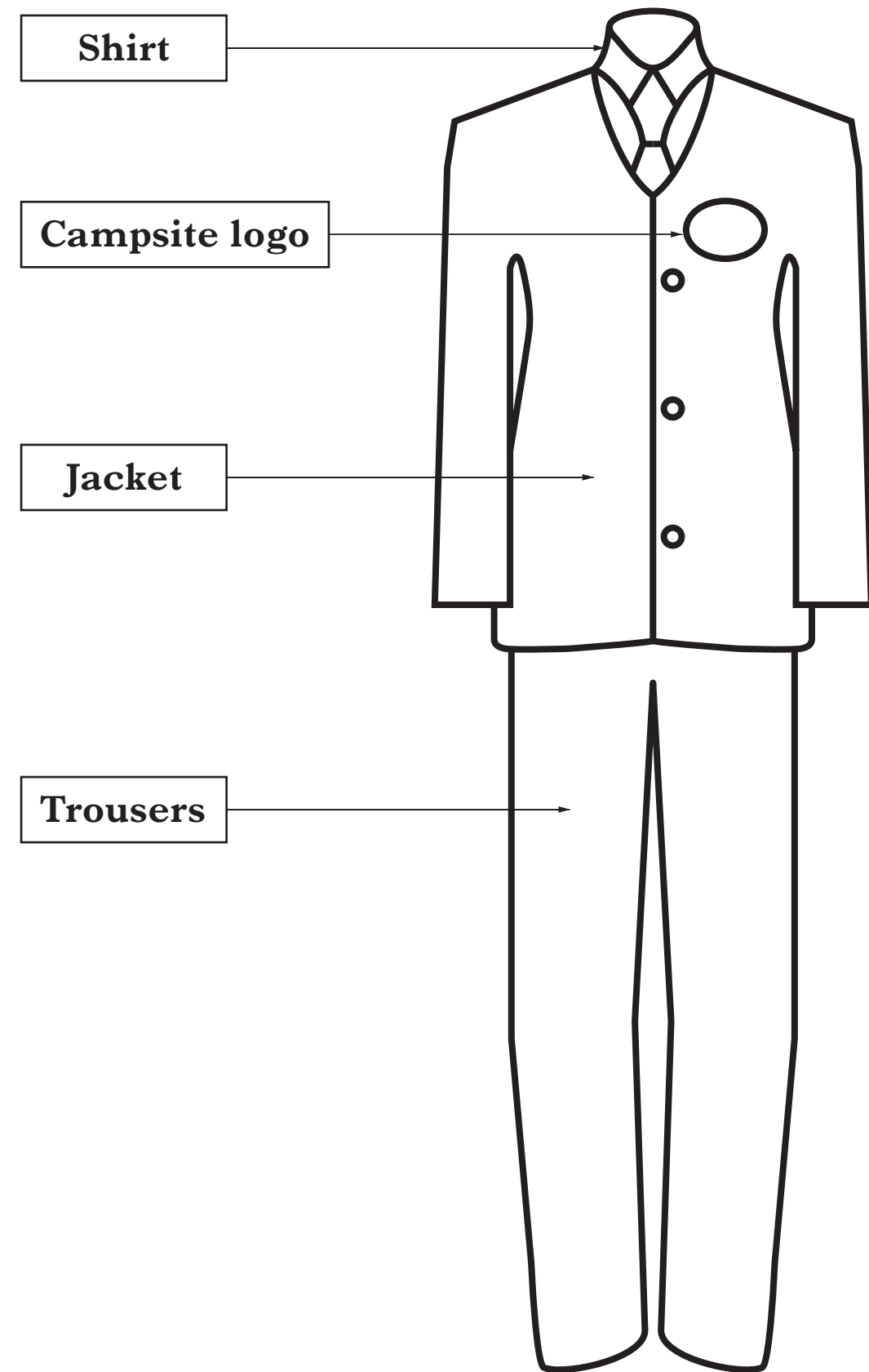
(c) State a **harmonising** colour to the red jacket, that could be used for the shirt.

..... (1)

(d) A **shade** of red was chosen for the trouser colour.
State what is added to red to create a shade of red.

..... (1)

(4 marks)



Candidate's Name _____

6

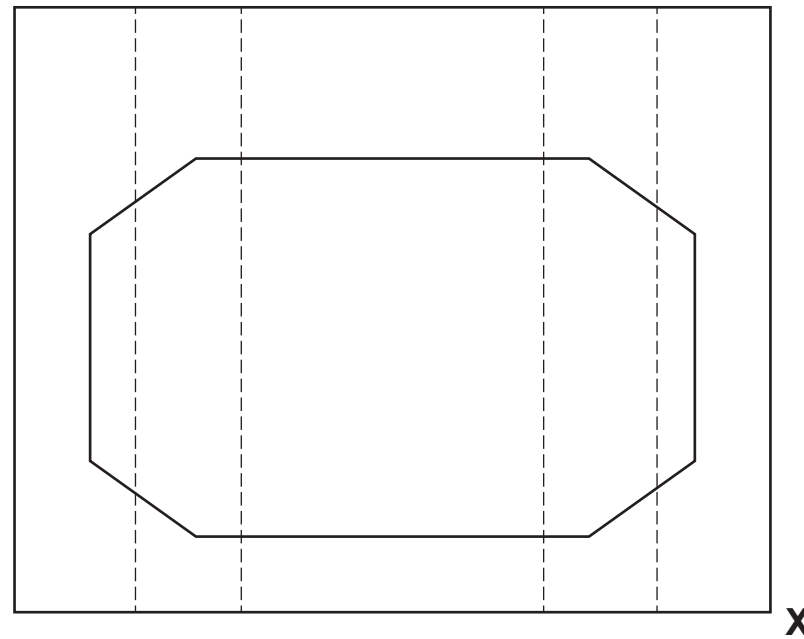
The plan and elevation of a walkie-talkie and base unit are given.

Draw an **assembled** oblique view of the walkie-talkie and base unit, in the position given.

Do not show hidden detail.

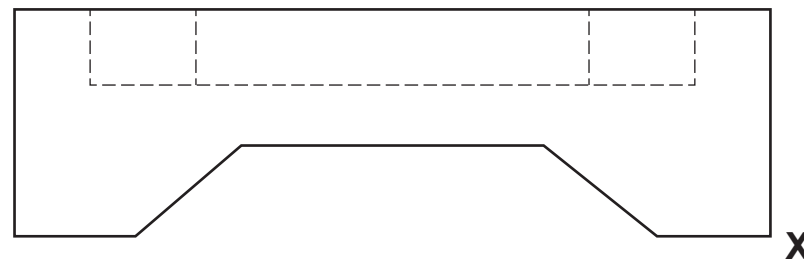
All lines at 45° should be half full size.

(13 marks)

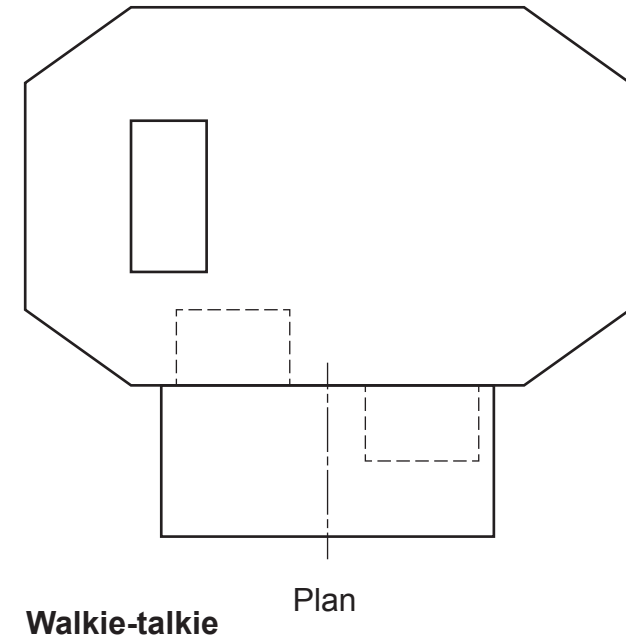


Base Unit

Plan

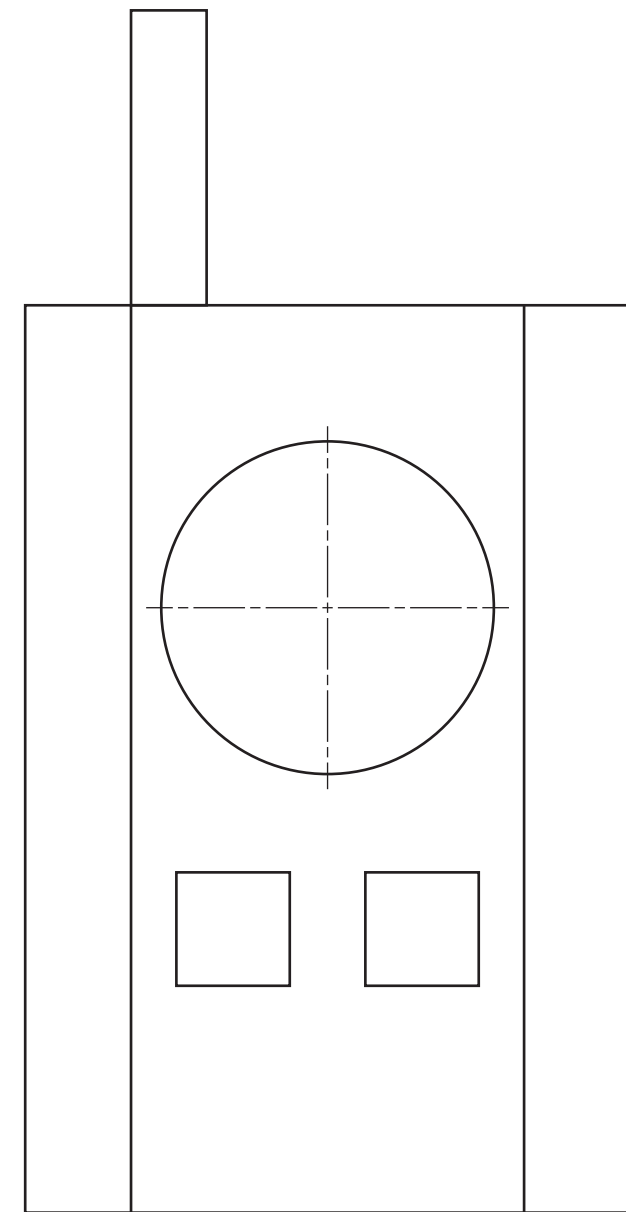


Elevation



Walkie-talkie

Plan



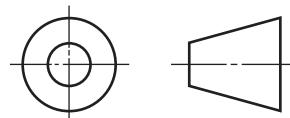
Elevation

6

<i>a</i>	
<i>b</i>	
<i>c</i>	
<i>d</i>	
<i>e</i>	
<i>f</i>	
<i>g</i>	
<i>h</i>	
<i>i</i>	
<i>j</i>	
<i>k</i>	
<i>l</i>	
<i>m</i>	
<i>n</i>	



Oblique View



Candidate's Name _____

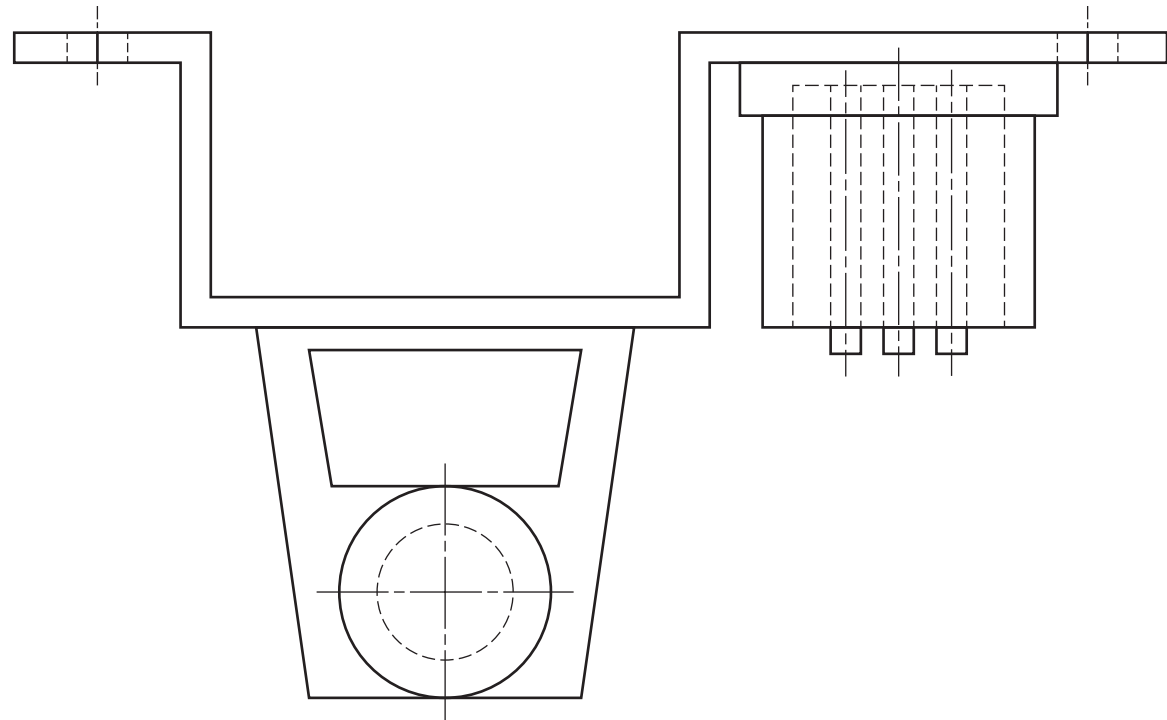
7

The plan and elevation of a caravan tow bar are given. A pictorial view is shown.

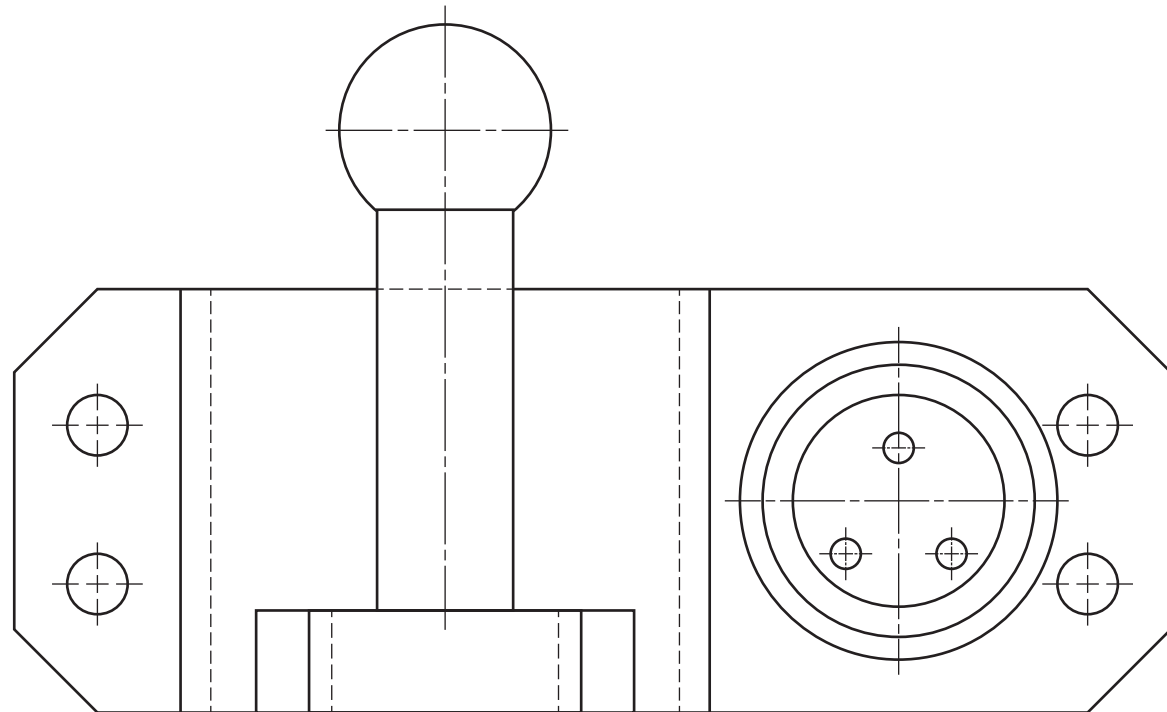
Draw, full size using the given start position, the completed end elevation.

Show all hidden detail.

(12 marks)

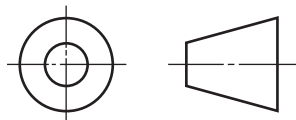


Plan

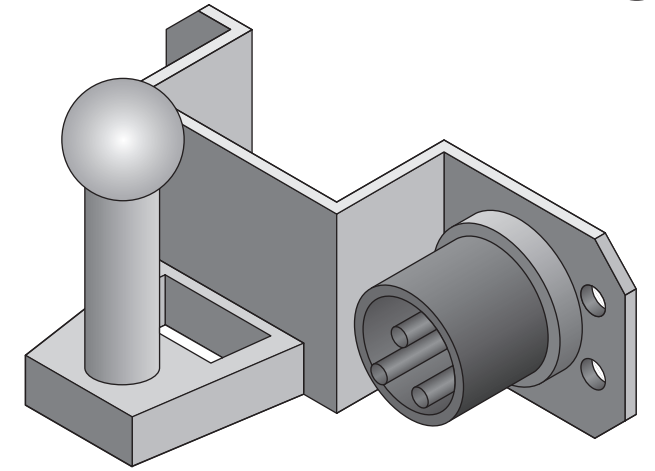


Elevation

End Elevation



7



PICTORIAL VIEW

<i>a</i>	
<i>b</i>	
<i>c</i>	
<i>d</i>	
<i>e</i>	
<i>f</i>	
<i>g</i>	
<i>h</i>	
<i>i</i>	
<i>j</i>	
<i>k</i>	
<i>l</i>	
<i>m</i>	
<i>n</i>	

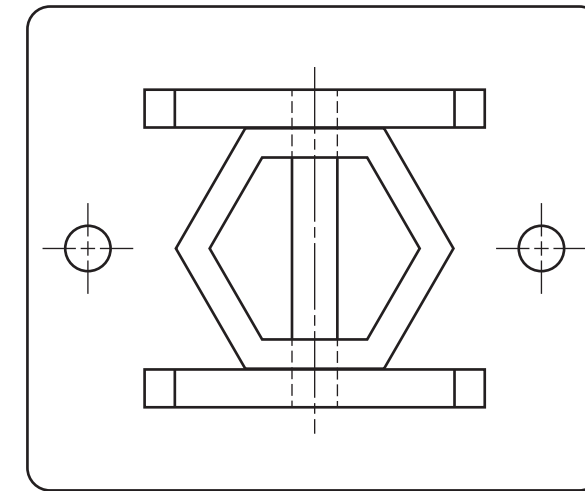
The plan and elevation of a parking pole are given. A pictorial view is also shown.

Draw, full size, using the given starting positions:

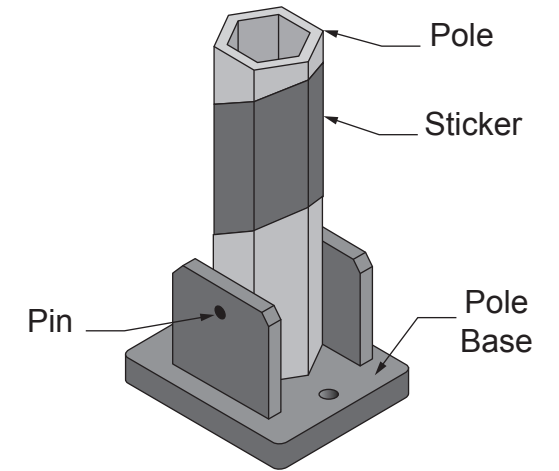
- (a) the end elevation;
- (b) the development of the sticker along the seam A-A.

Show all hidden detail.

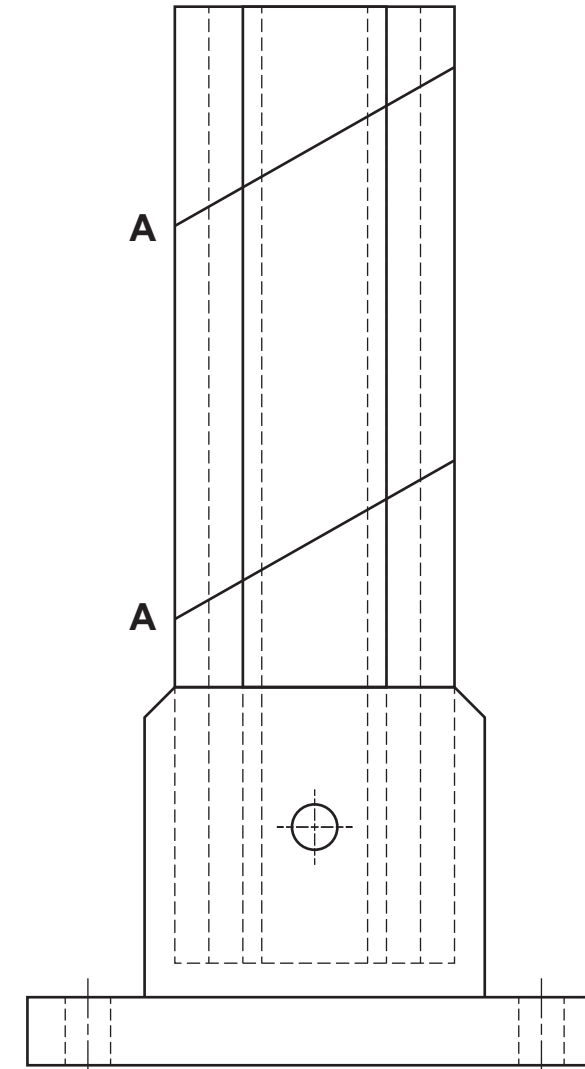
(13 marks)



Plan

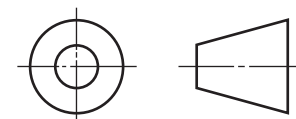


PICTORIAL VIEW



Elevation

End Elevation



A

A

Development of sticker

<i>a</i>	
<i>b</i>	
<i>c</i>	
<i>d</i>	
<i>e</i>	
<i>f</i>	
<i>g</i>	
<i>h</i>	
<i>i</i>	
<i>j</i>	
<i>k</i>	
<i>l</i>	
<i>m</i>	
<i>n</i>	

Candidate's Name _____

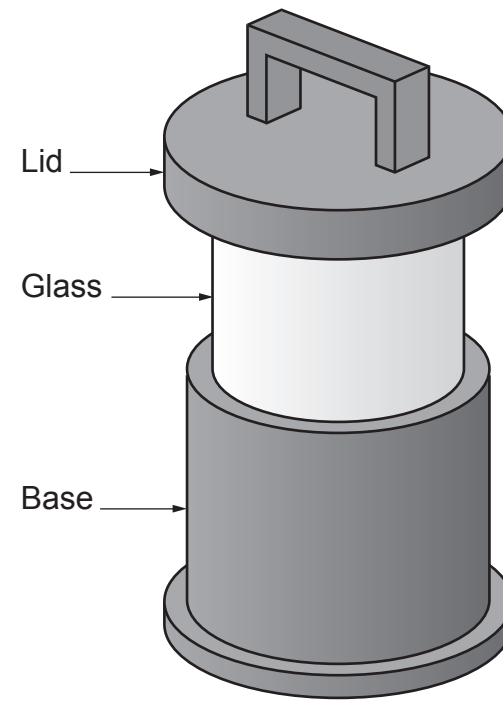
9

The elevation and plan of the parts that make up the casing of a camping lamp are given. A pictorial view is shown.

Draw, full size, in the position given, the sectional elevation on A-A of the assembled camping lamp.

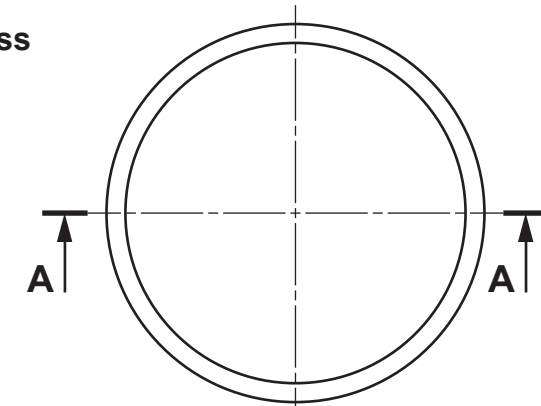
Do not show hidden detail.

(12 marks)

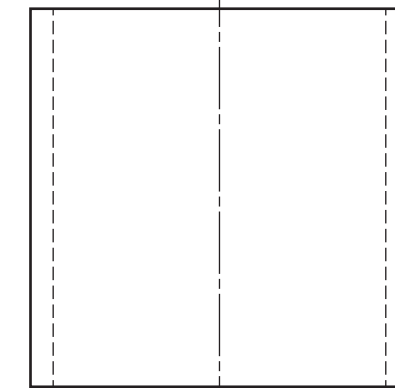


PICTORIAL VIEW

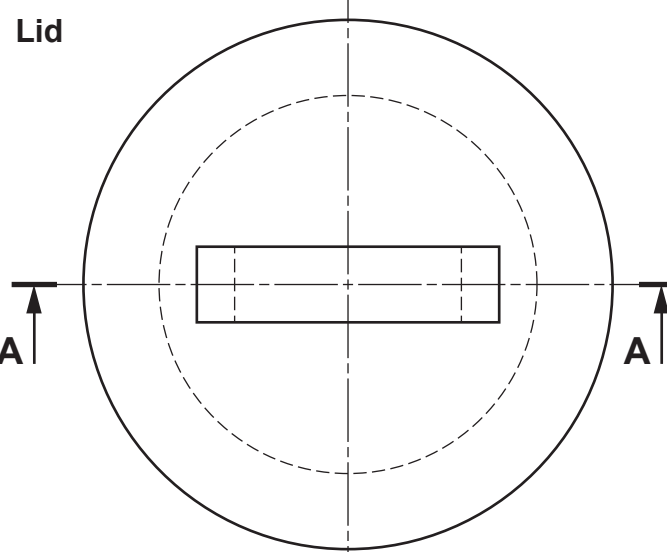
Glass



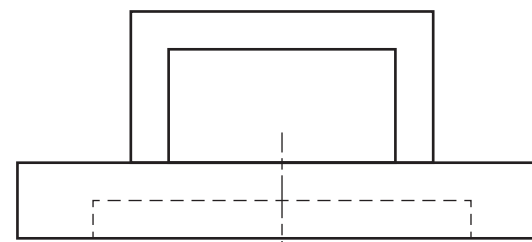
Plan



Elevation

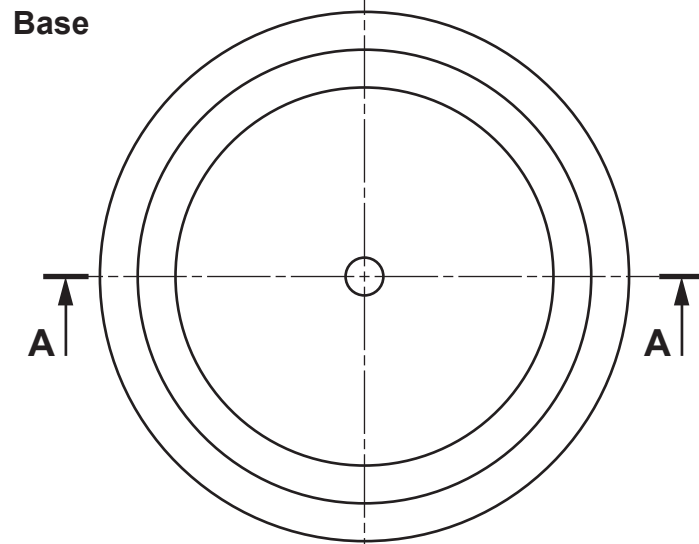


Plan

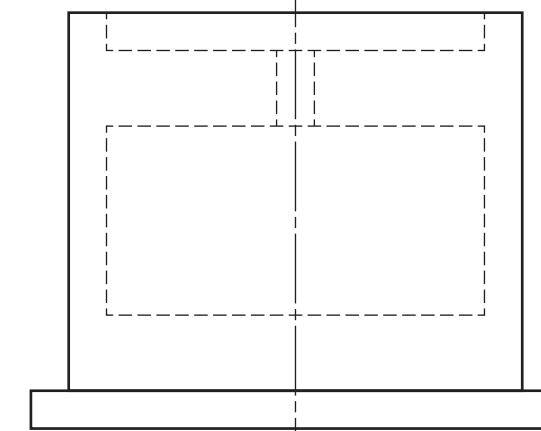


Elevation

Base



Plan



Elevation

9

a	
b	
c	
d	
e	
f	
g	
h	
i	
j	
k	
l	
m	
n	

Sectional Elevation on A-A

[BLANK PAGE]