

STAPLE HERE

F

FOR OFFICIAL USE

--	--	--	--	--	--

1330/27/01

NATIONAL TUESDAY, 15 MAY
 QUALIFICATIONS 9.00 AM – 10.15 AM
 2012

GRAPHIC
 COMMUNICATION
 STANDARD GRADE
 Foundation Level

Fill in these boxes and read what is printed below.

Full name of centre

Town

Forename(s)

Surname

Date of birth

Day Month Year

--	--	--	--	--	--

Scottish candidate number

--	--	--	--	--	--	--	--	--	--

Number of seat

- 1 80 marks are allocated to this paper: 30 marks for Knowledge and Interpretation
50 marks for Drawing Abilities
- 2 Answer all questions.
- 3 Read each question carefully before you answer.
- 4 Written answers may be in **ink** or **pencil**.
- 5 Drawings and sketches **must be in pencil**.
- 6 Sketches need only be in line form—do not spend time rendering.
- 7 Dimensions are given in millimetres or as stated.
- 8 Orthographic drawings are in third angle projection.
- 9 For each question, the element being tested and the mark allocation are shown in brackets, eg (DA 5) means a question on Drawing Abilities worth 5 marks.
- 10 **At the end of the examination**
 - check that your name is on every sheet;
 - put the sheets in correct numerical order;
 - place this sheet on top of the others;
 - join all sheets together by **stapling** at the top left-hand corner;
 - before leaving the examination room, you must give these sheets to the Invigilator (if you do not you may lose all the marks for this paper).

	KI	DA
1		
2		
3		
4		
5		
6		
7		
8		
Total Marks		



[BLANK PAGE]

Colour theory is an important part of your Illustration and Presentation folio.

(a) Indicate with a tick (✓) in the table below which colours are primary, secondary and tertiary.

COLOUR	PRIMARY	SECONDARY	TERTIARY
Red			
Blue-Green			
Orange			
Green			
Red-Violet			
Yellow			

KI 6

(b) Using the colour wheel given:

(i) state **one** colour that is in harmony with blue;

Colour

KI 1

(ii) state **one** colour that is in contrast with blue.

Colour

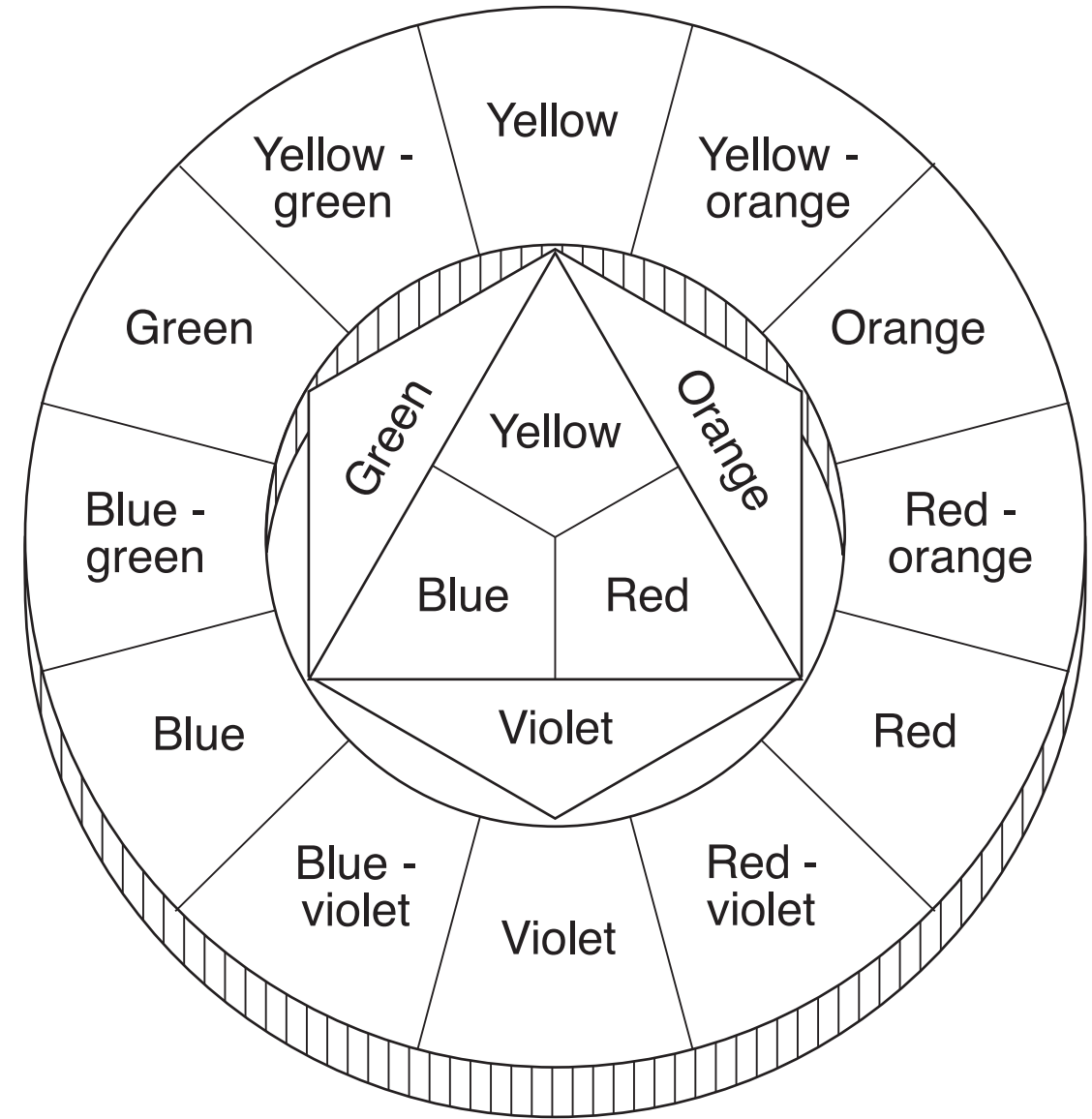
KI 1

(c) State what must be added to a colour to make it a tint of that colour.

Answer

KI 1

Total (KI 9)



When producing work on computers you need hardware devices and software packages.

(a) A list of computer software packages is given.

- DTP
- Illustration/Paint
- Word Processing
- 2-D CAD

Using the above list, select the software packages that would be used in the following situations.

SITUATION	SOFTWARE USED
Print a display with text and graphics	
Produce an orthographic drawing with dimensions	
Produce a computer generated colour graphic	

KI 3

(b) A list of computer hardware is given.

- Mouse
- Inkjet Printer
- Keyboard
- Scanner

Using the above list, select the hardware devices that would be used in the following situations.

SITUATION	HARDWARE DEVICES
Obtain a hard copy of an orthographic drawing	
Input text	
Copy a manual drawing to the computer's memory	

KI 3

Total (KI 6)



Complete the table below by placing a tick (✓) to show whether the statement is an advantage or disadvantage of Computer Aided Graphics

Statement	Advantage	Disadvantage
The need to train staff in the use of computers		
The ability to create a library of commonly used parts		
The speed with which mistakes can be changed		
The cost of updating the software packages used		
The possible loss of data		
The storage of drawings takes up less space		
The speed with which new drawings are produced		
The greater accuracy of drawings		

KI 8

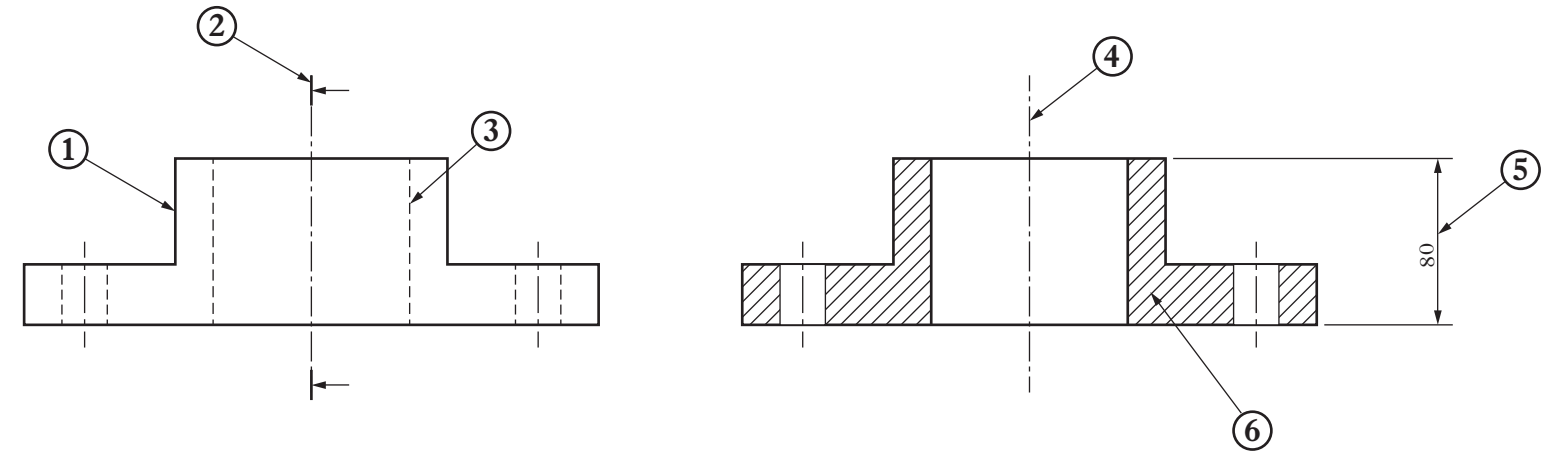
Total (KI 8)

A drawing of a lathe faceplate is given in Drawing X.

A list of the line types is given.

- Dimension
- Hidden
- Hatching
- Cutting plane
- Outline
- Centre

(a) Complete the table below by adding the names of the line types from the above list shown at 1, 2, 3, 4, 5 and 6 on Drawing X.



Drawing X

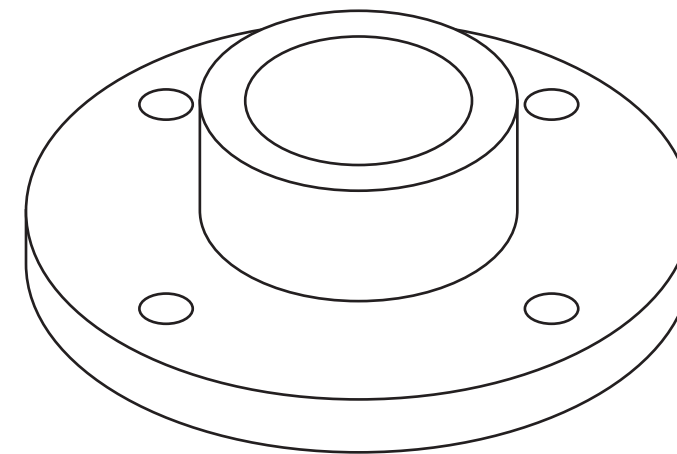
Number	Line Type
1	
2	
3	
4	
5	
6	

KI 6

(b) State the type of view shown in View Y.

View Y KI 1

Total (KI 7)



View Y

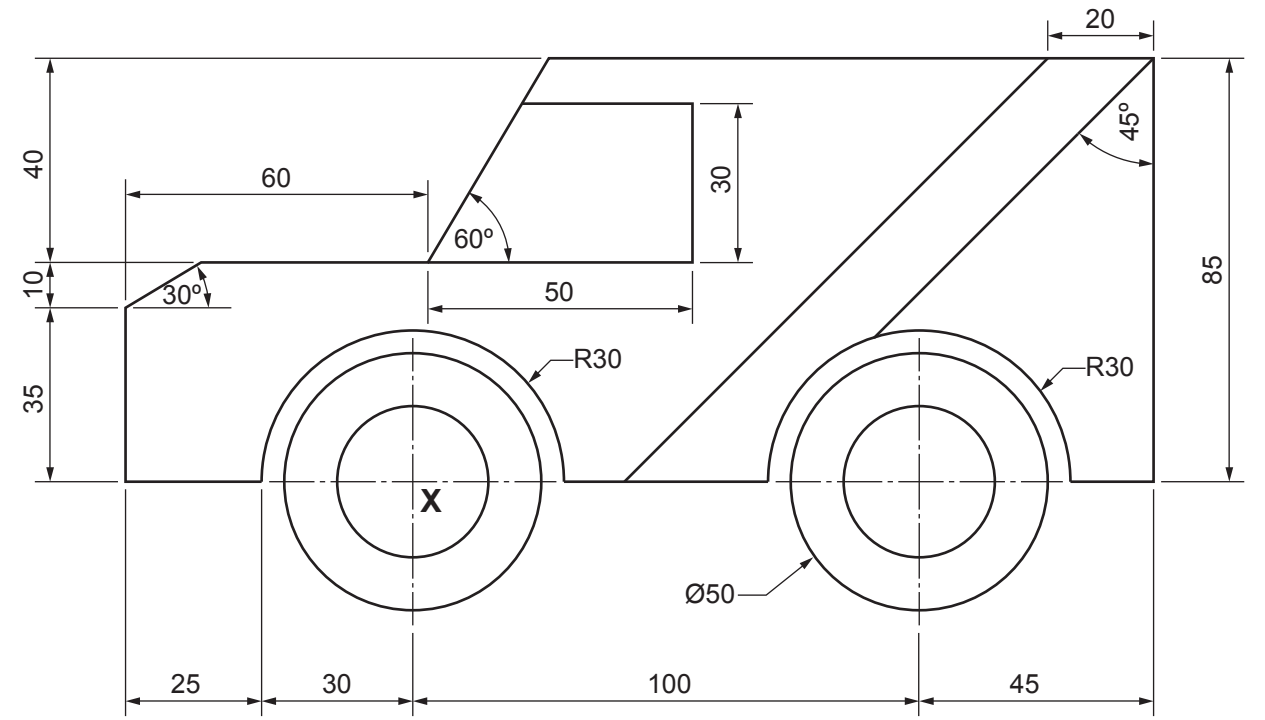
5

The logo for a company that hires off-road vehicles is given. **Redraw** the logo to the dimensions given.

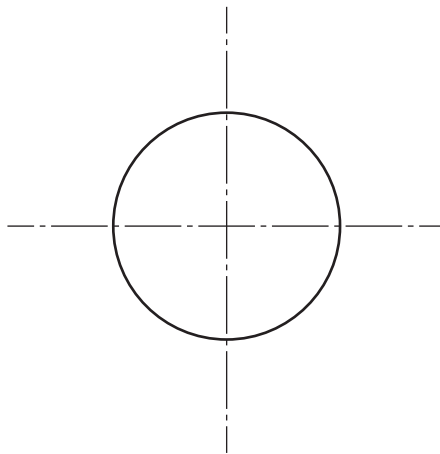
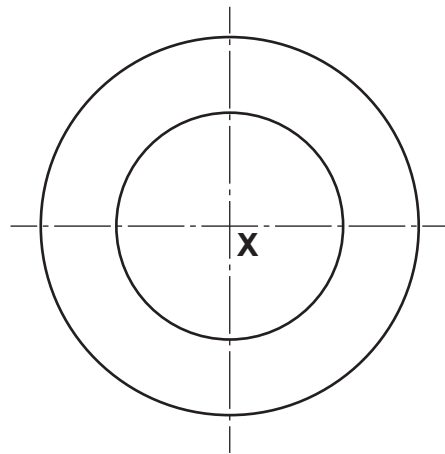
The front wheel and tyre **X** and the back wheel are given as a start.

Do not show dimensions.

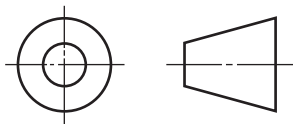
Total (DA 15)



5



<i>a</i>	
<i>b</i>	
<i>c</i>	
<i>d</i>	
<i>e</i>	
<i>f</i>	
<i>g</i>	
<i>h</i>	
<i>i</i>	
<i>j</i>	
<i>k</i>	
<i>l</i>	
<i>m</i>	
<i>n</i>	



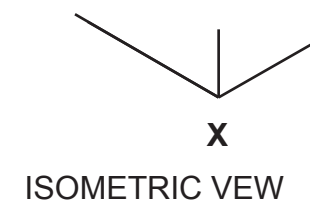
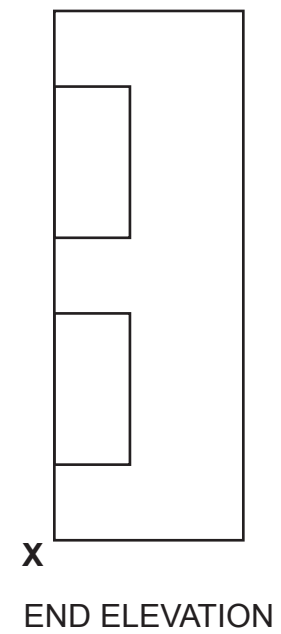
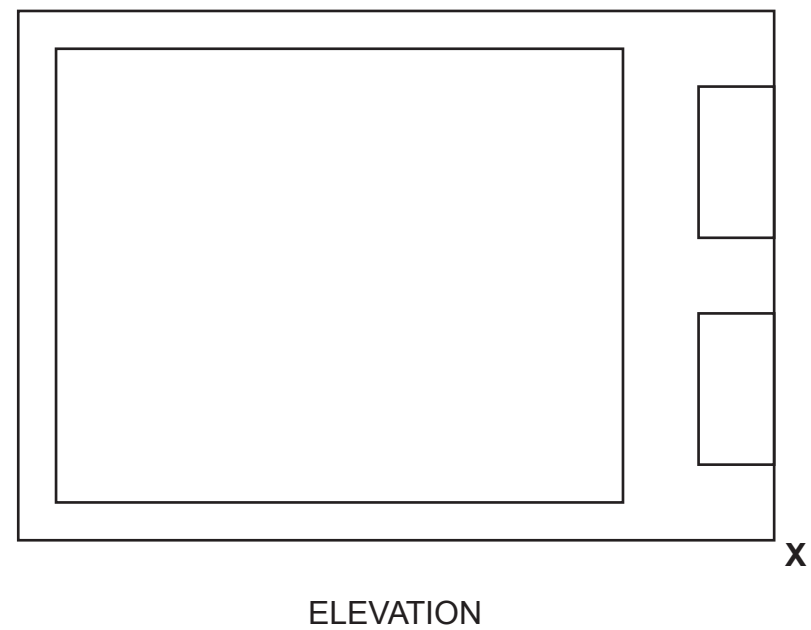
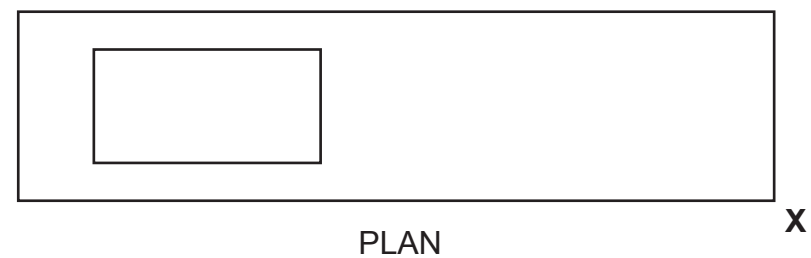
6

The elevation, end elevation and plan of a car sat nav device are given. **Draw** an **isometric view** of the sat nav device.

Corner **X** is given as a start.

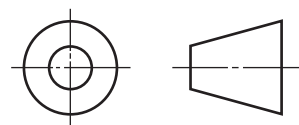
Do not show hidden detail.

Total (DA 12)



6

<i>a</i>	
<i>b</i>	
<i>c</i>	
<i>d</i>	
<i>e</i>	
<i>f</i>	
<i>g</i>	
<i>h</i>	
<i>i</i>	
<i>j</i>	
<i>k</i>	
<i>l</i>	
<i>m</i>	
<i>n</i>	



7

The elevation of a support bracket is given. A pictorial view is also given.

Using the given sizes, **draw**:

(a) the plan projected from the elevation;

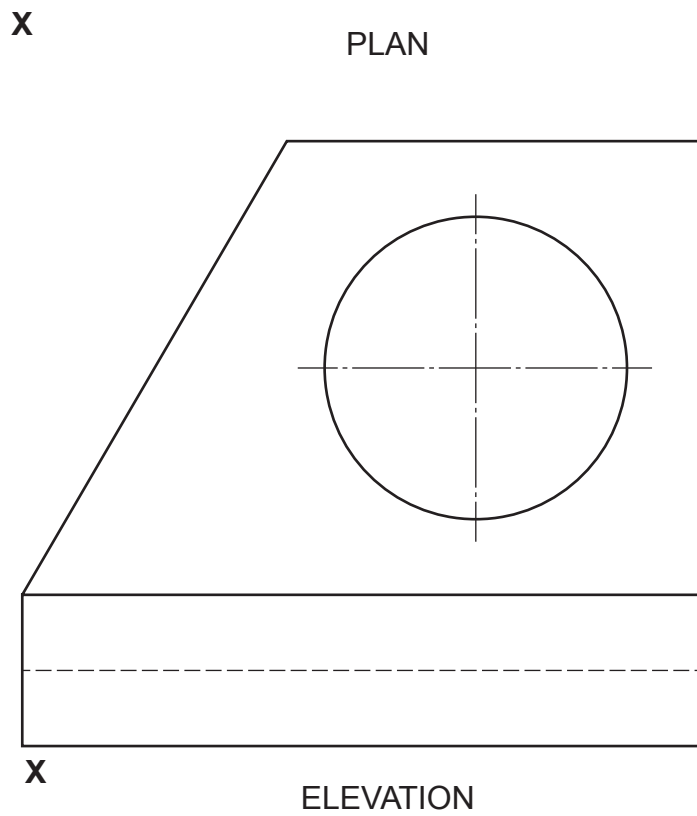
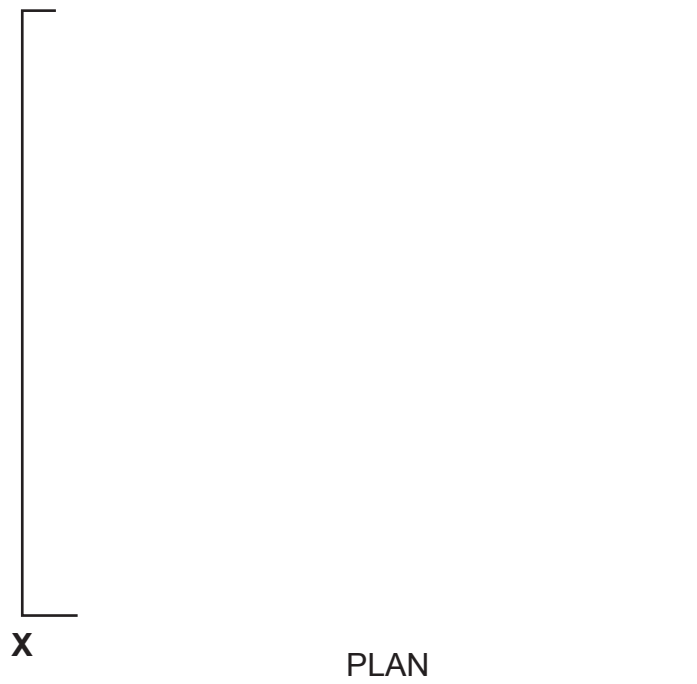
(b) the end elevation in the position shown.

Show hidden detail.

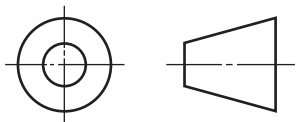
DA 7

DA 6

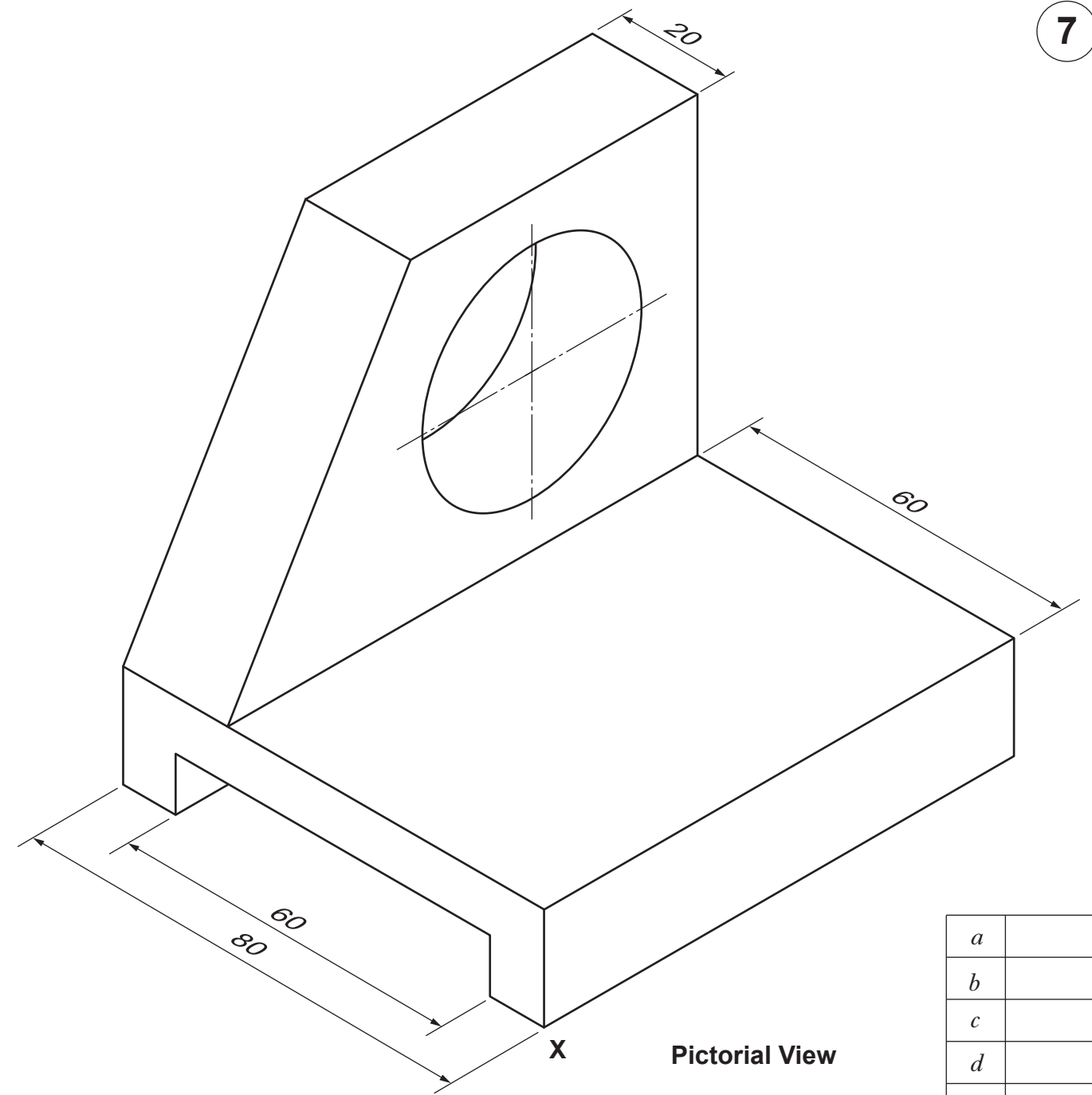
Total (DA 13)



END ELEVATION



7



<i>a</i>	
<i>b</i>	
<i>c</i>	
<i>d</i>	
<i>e</i>	
<i>f</i>	
<i>g</i>	
<i>h</i>	
<i>i</i>	
<i>j</i>	
<i>k</i>	
<i>l</i>	
<i>m</i>	
<i>n</i>	

Candidate's Name _____

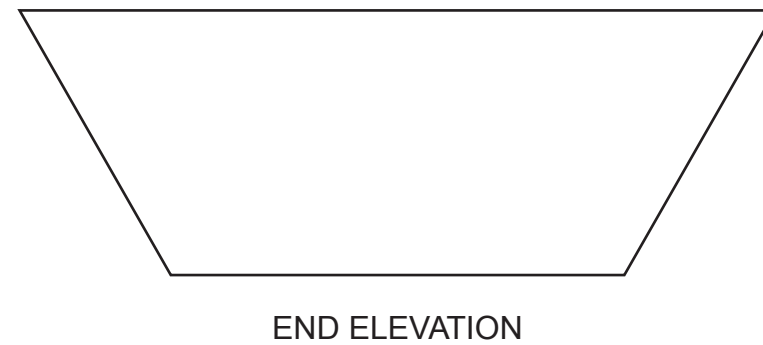
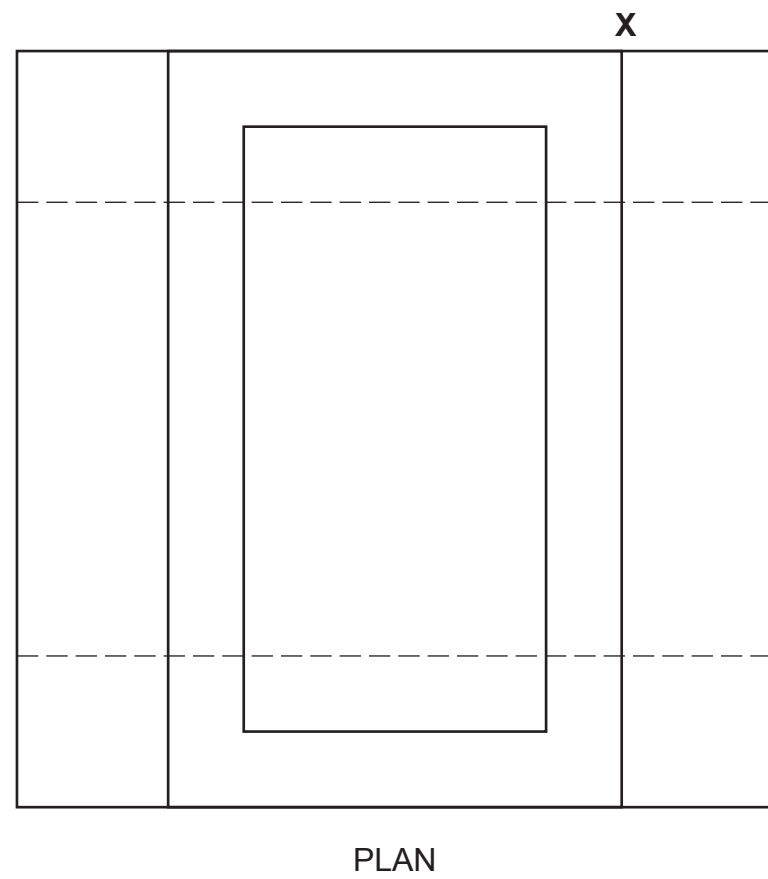
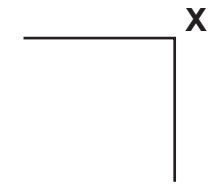
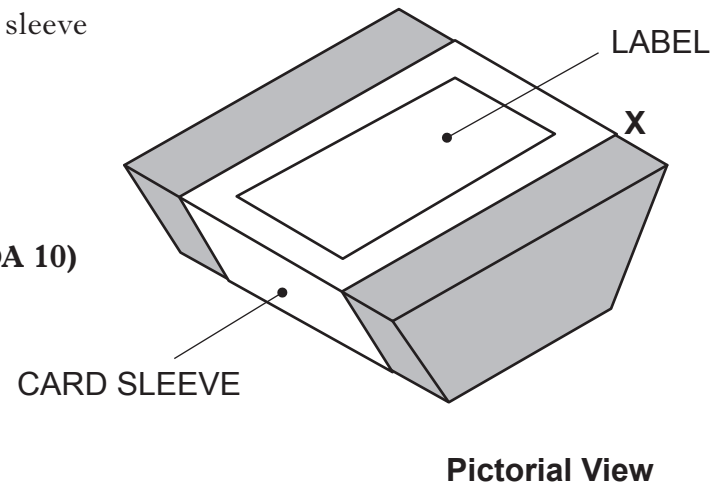
The elevation, end elevation and plan of a food package with a wrap-around card sleeve are given. The sleeve has a label attached.

A pictorial view of the package with sleeve and label is also shown.

Draw the development of the card sleeve with the label shown.

Use the given start at corner **X**.

Total (DA 10)



DEVELOPMENT

<i>a</i>	
<i>b</i>	
<i>c</i>	
<i>d</i>	
<i>e</i>	
<i>f</i>	
<i>g</i>	
<i>h</i>	
<i>i</i>	
<i>j</i>	
<i>k</i>	
<i>l</i>	
<i>m</i>	
<i>n</i>	

