

STAPLE HERE

F

FOR OFFICIAL USE

--	--	--	--	--	--

1330/27/01

NATIONAL THURSDAY, 16 MAY
 QUALIFICATIONS 9.00 AM – 10.15 AM
 2013

GRAPHIC
 COMMUNICATION
 STANDARD GRADE
 Foundation Level

Fill in these boxes and read what is printed below.

Full name of centre

Town

Forename(s)

Surname

Date of birth

Day Month Year

--	--	--	--	--	--

Scottish candidate number

--	--	--	--	--	--	--	--	--	--

Number of seat

- 1 80 marks are allocated to this paper: 30 marks for Knowledge and Interpretation
50 marks for Drawing Abilities
- 2 Answer all questions.
- 3 Read each question carefully before you answer.
- 4 Written answers may be in **ink** or **pencil**.
- 5 Drawings and sketches **must be in pencil**.
- 6 Sketches need only be in line form—do not spend time rendering.
- 7 Dimensions are given in millimetres or as stated.
- 8 Orthographic drawings are in third angle projection.
- 9 For each question, the element being tested and the mark allocation are shown in brackets, eg (DA 5) means a question on Drawing Abilities worth 5 marks.
- 10 **At the end of the examination**
 - check that your name is on every sheet;
 - put the sheets in correct numerical order;
 - place this sheet on top of the others;
 - join all sheets together by **stapling** at the top left-hand corner;
 - before leaving the examination room, you must give these sheets to the Invigilator (if you do not you may lose all the marks for this paper).

	KI	DA
1		
2		
3		
4		
5		
6		
7		
8		
Total Marks		



[BLANK PAGE]

The child's playhouse shown has been painted using bright colours to make it attractive to the children.

Use the given colour wheel to help you answer the following questions.

(a) State a colour which is in **contrast** with green.

Colour

KI 1

(b) State two colours which are in **harmony** with green.

Colour 1 Colour 2

KI 2

(c) State a **tertiary** colour which contains red.

Colour

KI 1

(d) Complete the following by putting a circle around the correct word in the brackets.

(i) When white is added to blue it becomes a (shade / mix / tint) of blue.

(ii) When black is added to blue it becomes a (shade / mix / tint) of blue.

KI 2

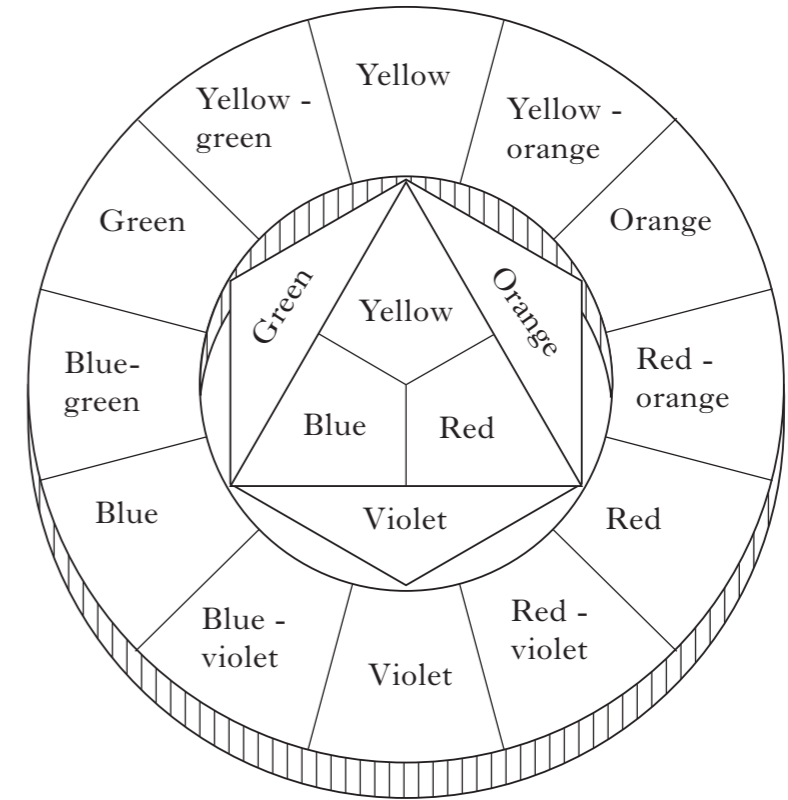
(e) From the following list of colours, choose one **secondary** and one **tertiary** colour.

- Yellow
- Green
- Red
- Blue-violet
- Orange

Secondary colour Tertiary colour

KI 2

Total (KI 8)



The following table shows advantages and disadvantages of using computers for graphics work.

Complete the table below by indicating with a tick (✓) whether the factors given below are an advantage or a disadvantage of using computers for graphic work.

Factors	Advantage	Disadvantage
Drawings are more accurate		
The speed with which a designer can change mistakes		
The possibility that data can be lost		
The constant need to update software		
A library of commonly used parts can be created		
Storage of drawings takes up less space		
The cost of buying new computers		
The speed of producing new drawings		



KI 8

Total (KI 8)

A chart showing the percentage of male and female members of parliament for the years 2005 and 2010 is given.

(a) State the name given to this type of chart.

Name

KI 1

(b) State which party had the highest percentage of males in 2010.

Party

KI 1

(c) State which year had the highest percentage of male Conservatives.

Year

KI 1

(d) State which party had the highest percentage of females in 2005.

Party

KI 1

(e) State which party had the lowest percentage of females in parliament in 2005.

Party

KI 1

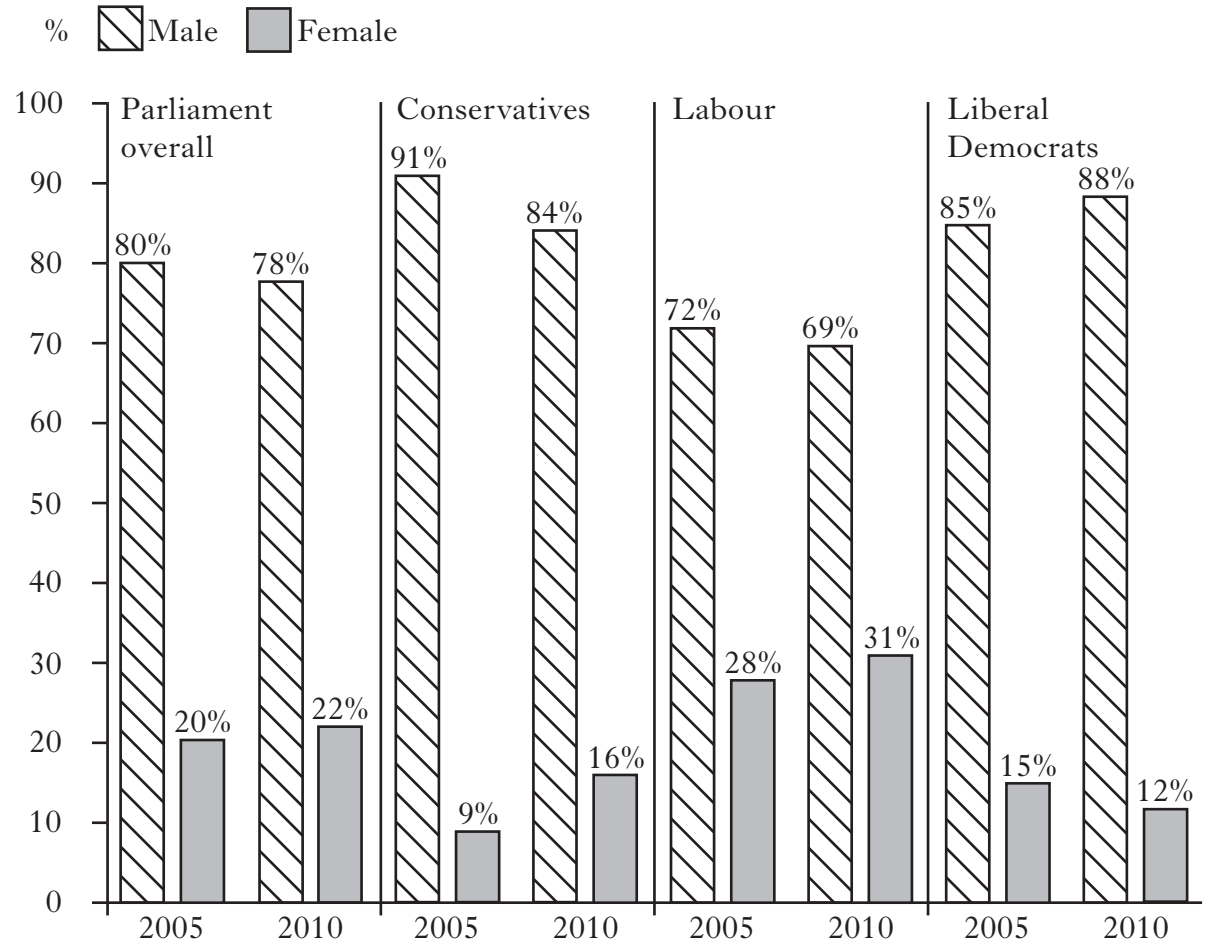
(f) State which year had the highest percentage of females in parliament.

Year

KI 1

Total (KI 6)

Parliament's gender imbalance



Three views of a guide support are given opposite.

(a) State the name given to these types of drawing.

Name KI 1

(b) State the name of the line types in P Q R & S.

P

Q

R

S KI 4

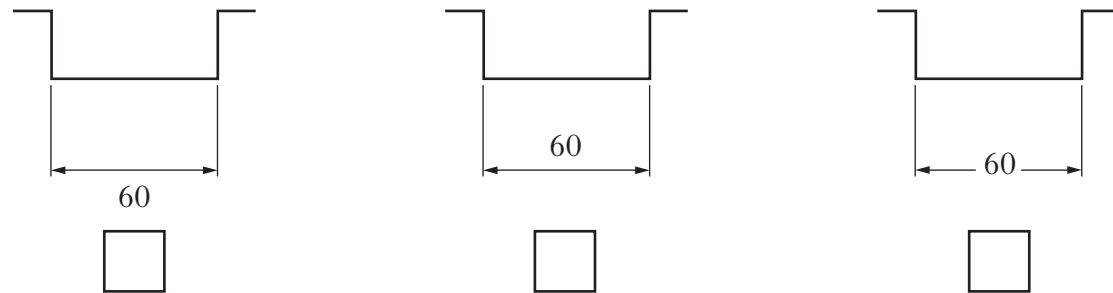
(c) State the name given to VIEW Y.

VIEW Y KI 1

(d) State the angles used for the lines at S.

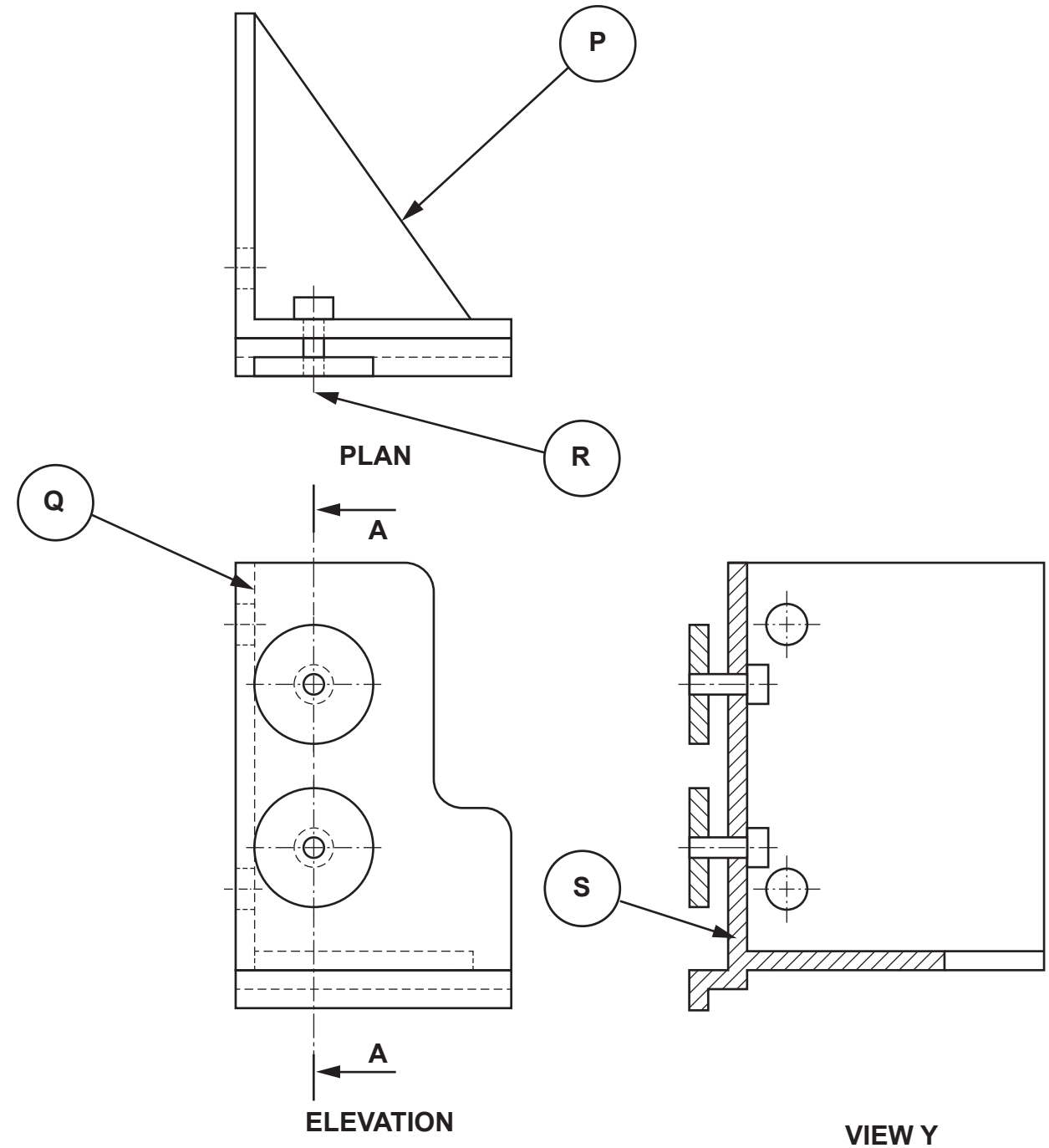
Angle KI 1

(e) Look at the dimensions below and place a tick (✓) in the box that shows the dimensions correct to British Standards.



KI 1

Total (KI 8)



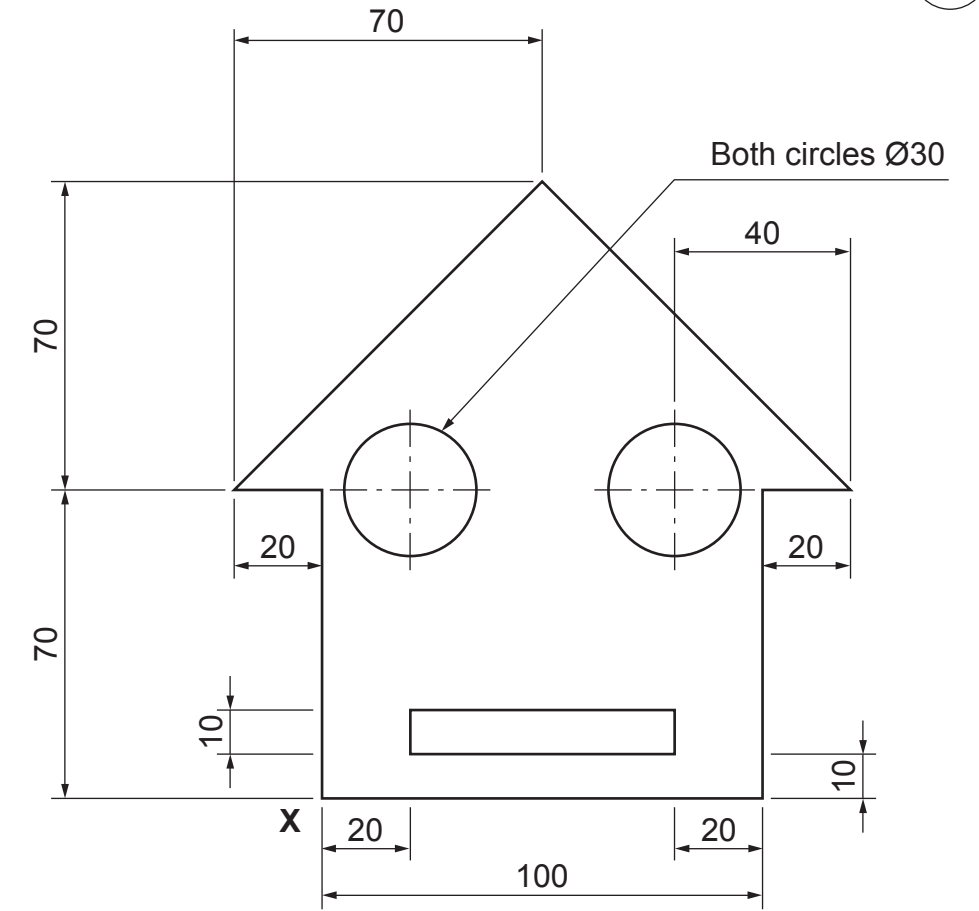
Candidate's Name _____

5

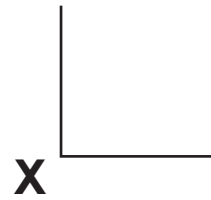
A dimensioned drawing of a child's toy house is shown.
Draw to given sizes the toy house starting at point X.

Do not show dimensions.

Total (DA 12)



5



a	
b	
c	
d	
e	
f	
g	
h	
i	
j	
k	
l	
m	
n	

6

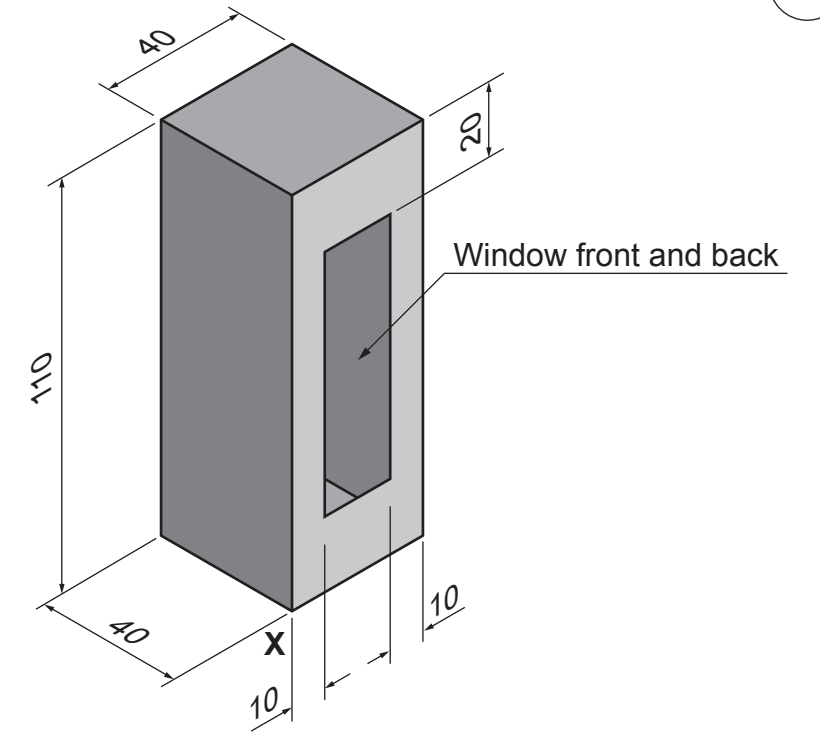
A pictorial view of a box that holds three golf balls is shown. The elevation and end elevation of the box are also given.

Draw:

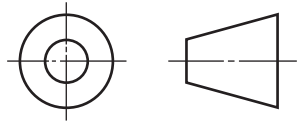
- (a) the plan;
- (b) the development of the sides of the box, using **X** as the starting point.

Do not show hidden detail.

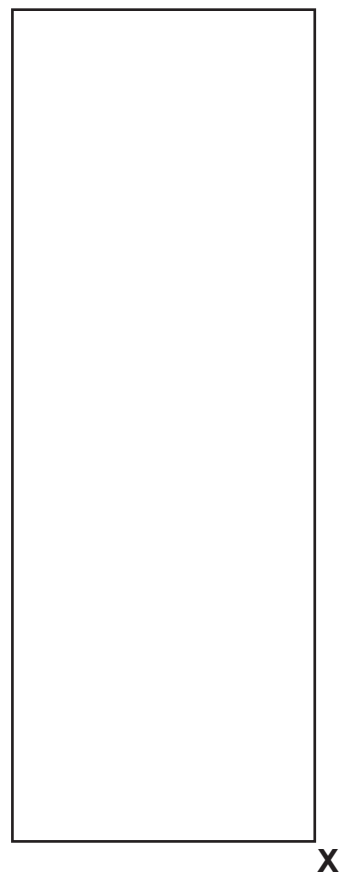
Total (DA 10)



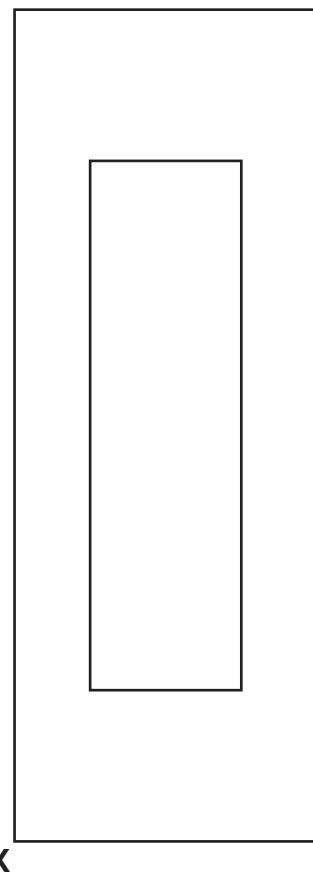
PICTORIAL VIEW



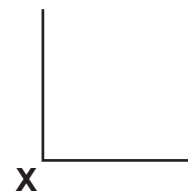
PLAN



END ELEVATION



ELEVATION



DEVELOPMENT OF SIDES

<i>a</i>	
<i>b</i>	
<i>c</i>	
<i>d</i>	
<i>e</i>	
<i>f</i>	
<i>g</i>	
<i>h</i>	
<i>i</i>	
<i>j</i>	
<i>k</i>	
<i>l</i>	
<i>m</i>	
<i>n</i>	

Candidate's Name _____

6

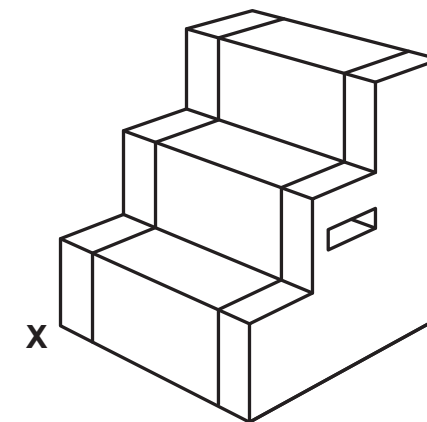
7

The elevation, plan and pictorial view of the steps to a caravan are given. The steps have cut away handles on both sides.

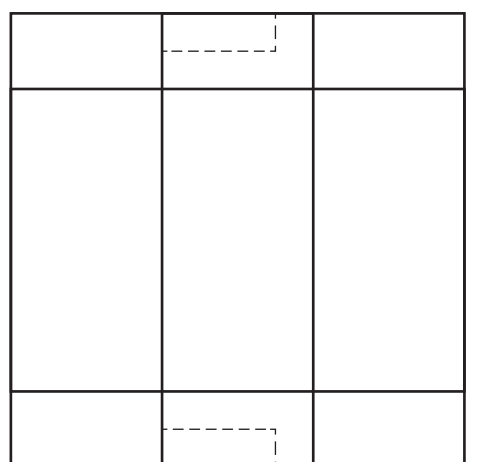
Draw an isometric view of the steps with corner X being at the lowest point.

Do not show hidden detail.

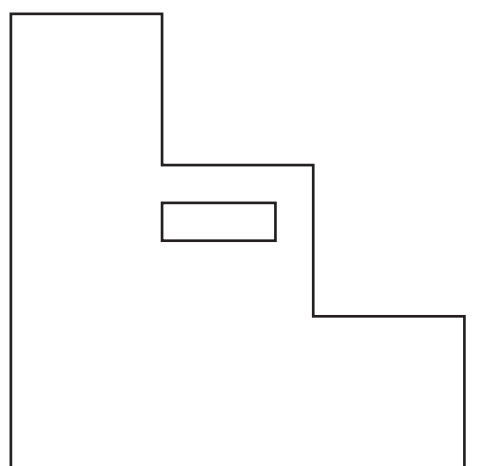
Total (DA 14)



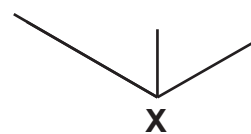
PICTORIAL VIEW



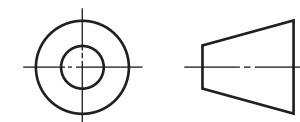
PLAN



ELEVATION



ISOMETRIC VIEW



<i>a</i>	
<i>b</i>	
<i>c</i>	
<i>d</i>	
<i>e</i>	
<i>f</i>	
<i>g</i>	
<i>h</i>	
<i>i</i>	
<i>j</i>	
<i>k</i>	
<i>l</i>	
<i>m</i>	
<i>n</i>	

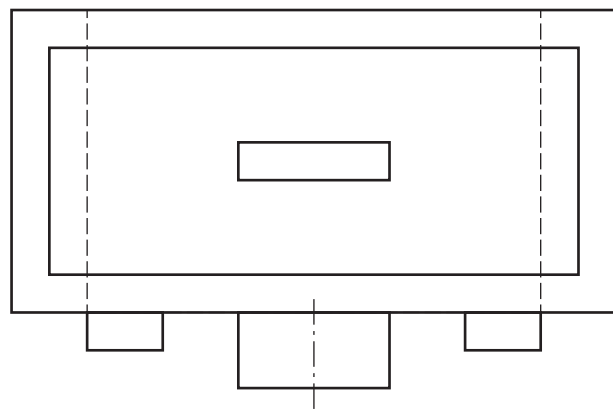
Candidate's Name _____

The end elevation and plan of a docking station are given. A pictorial view is also shown.

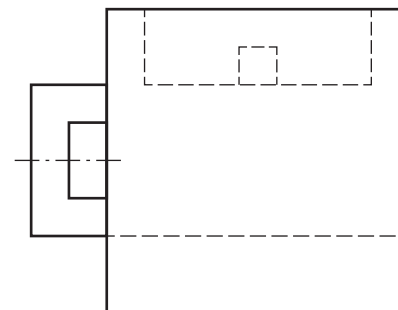
Draw the elevation projected from the plan and end elevation.

Show all hidden detail.

Total (DA 14)

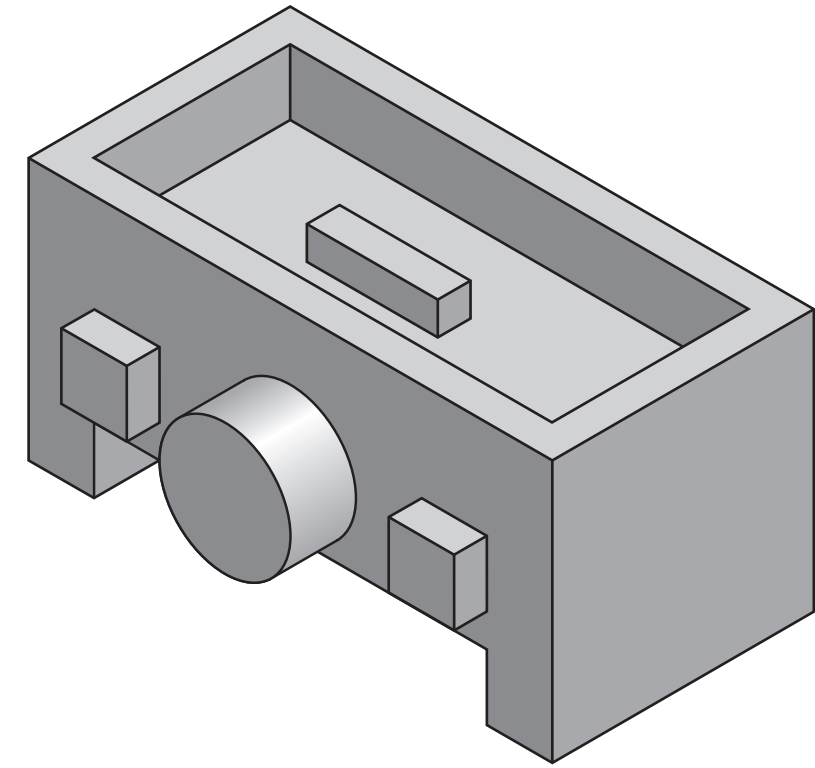


PLAN

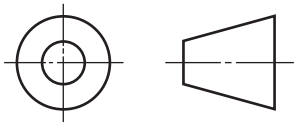


END ELEVATION

ELEVATION



PICTORIAL VIEW



<i>a</i>	
<i>b</i>	
<i>c</i>	
<i>d</i>	
<i>e</i>	
<i>f</i>	
<i>g</i>	
<i>h</i>	
<i>i</i>	
<i>j</i>	
<i>k</i>	
<i>l</i>	
<i>m</i>	
<i>n</i>	