



2012 Graphic Communication

Standard Grade – Foundation

Finalised Marking Instructions

© Scottish Qualifications Authority 2012

The information in this publication may be reproduced to support SQA qualifications only on a non-commercial basis. If it is to be used for any other purposes written permission must be obtained from SQA's NQ Delivery: Exam Operations.

Where the publication includes materials from sources other than SQA (secondary copyright), this material should only be reproduced for the purposes of examination or assessment. If it needs to be reproduced for any other purpose it is the centre's responsibility to obtain the necessary copyright clearance. SQA's NQ Delivery: Exam Operations may be able to direct you to the secondary sources.

These Marking Instructions have been prepared by Examination Teams for use by SQA Appointed Markers when marking External Course Assessments. This publication must not be reproduced for commercial or trade purposes.

**2012 Graphic Communication SG Foundation
Marking Instructions**

1 (a)

COLOUR	PRIMARY	SECONDARY	TERTIARY
RED	✓		
BLUE-GREEN			✓
ORANGE		✓	
GREEN		✓	
RED-VIOLET			✓
YELLOW	✓		

KI 6

(b) (i) Colour Blue-Green, Green, Blue-Violet, Violet

(ii) Colour Yellow, Yellow-Orange, Orange, Red-Orange, Red

(c) White

KI 3

TOTAL KI 9

2 (a)

SITUATION	SOFTWARE USED
Print a display with text and graphics	DTP
Produce an orthographic drawing with dimensions	2-D CAD
Produce a computer generated colour graphic	Illustration/Paint

KI 3

(b)

SITUATION	HARDWARE DEVICES
Obtain a hard copy of an orthographic drawing	Inkjet printer
Input text	Keyboard
Copy a manual drawing to the computer's memory	Scanner

KI 3

TOTAL KI 6

3

Statement	Advantage	Disadvantage
The need to train staff in the use of computers		✓
The ability to create a library of commonly used parts	✓	
The speed with which mistakes can be changed	✓	
The cost of updating the software packages		✓
The possible loss of data		✓
The storage of drawings takes up less space	✓	
The speed with which new drawings are produced	✓	
The greater accuracy of drawings	✓	

KI 8

(2 x ticks in same row score 0 marks)

TOTAL KI 8

4

(a)

Number	Line Type
1	Outline
2	Cutting plane
3	Hidden
4	Centre
5	Dimension
6	Hatching

KI 6

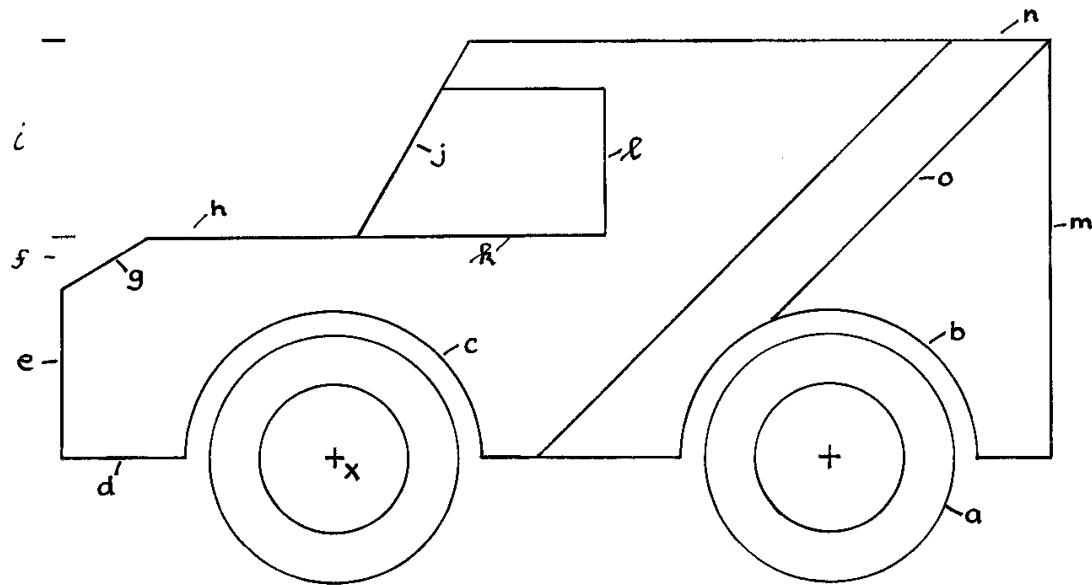
(b)

View Y

Isometric

KI 1

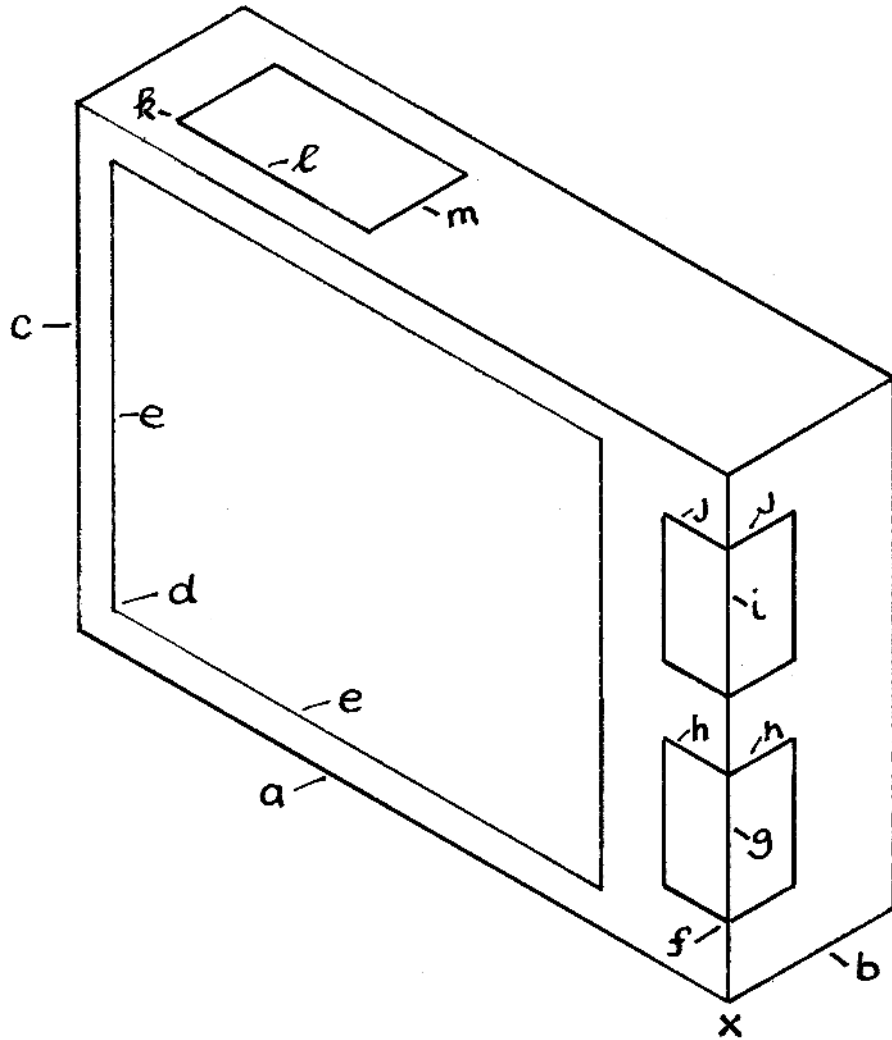
TOTAL KI 7



Question 5

- | | |
|---------------------------------|---|
| (a) Tyre diameter 50 | 1 |
| (b) Radius 30 | 1 |
| (c) Radius 30 | 1 |
| (d) Length 25 | 1 |
| (e) Height 35 | 1 |
| (f) Height 10 | 1 |
| (g) Angle 30° + line | 1 |
| (h) Length 60 | 1 |
| (i) Height 40 | 1 |
| (j) Angle 60° + line | 1 |
| (k) Line 50 | 1 |
| (l) Line height 30 | 1 |
| (m) Height 85 | 1 |
| (n) Length 20 | 1 |
| (o) Stripes @ 45° (both) | 1 |

Total DA 15



Question 6

- | | | |
|-----|---------------------------------|---|
| (a) | Crate length | 1 |
| (b) | Crate breadth | 1 |
| (c) | Crate height | 1 |
| (d) | Screen position | 1 |
| (e) | Screen length + height | 1 |
| (f) | Buttons position (both correct) | 1 |
| (g) | Button height | 1 |
| (h) | Button length + breadth | 1 |
| (i) | Button height | 1 |
| (j) | Button length + breadth | 1 |
| (k) | Position | 1 |
| (l) | Length + breadth | 1 |

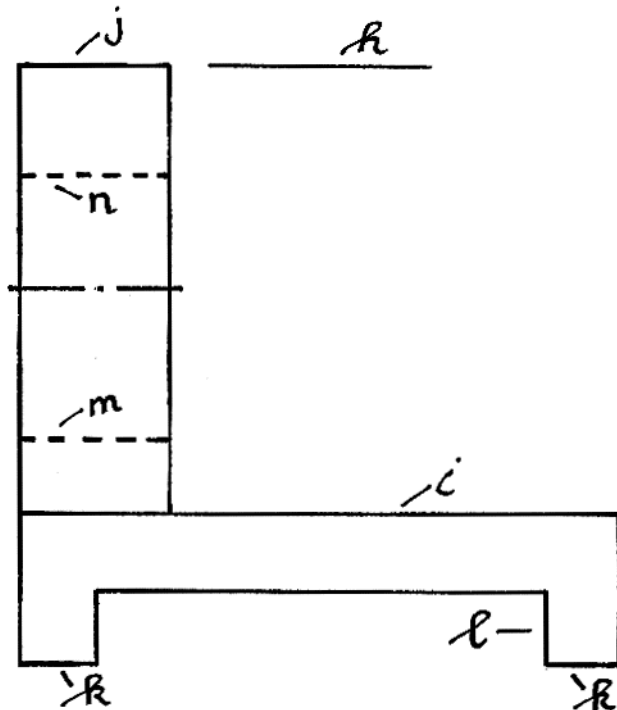
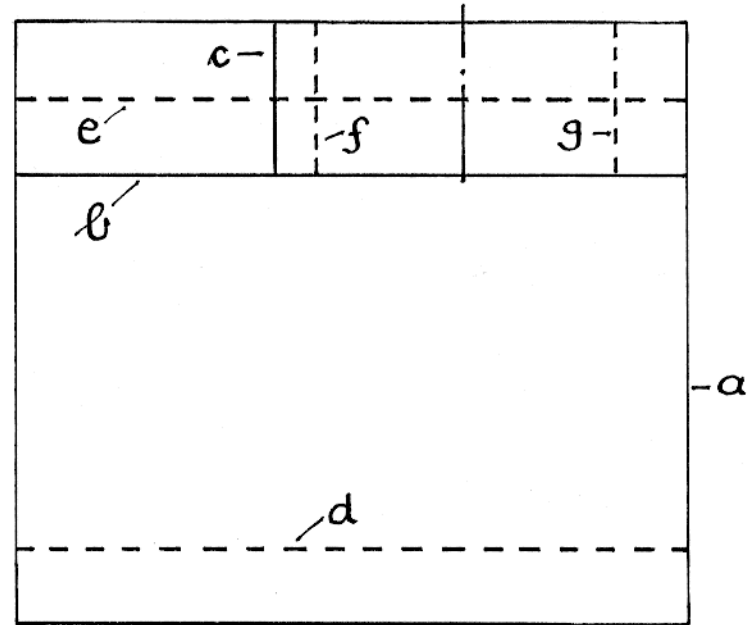
Total DA 12

Question 7

Plan

- | | | |
|-----|------------------------------|---|
| (a) | Width 60 | 1 |
| (b) | Line | 1 |
| (c) | Line | 1 |
| (d) | Broken line correct position | 1 |
| (e) | Broken line correct position | 1 |
| (f) | Broken line correct position | 1 |
| (g) | Broken line correct position | 1 |

DA 7



Question 7

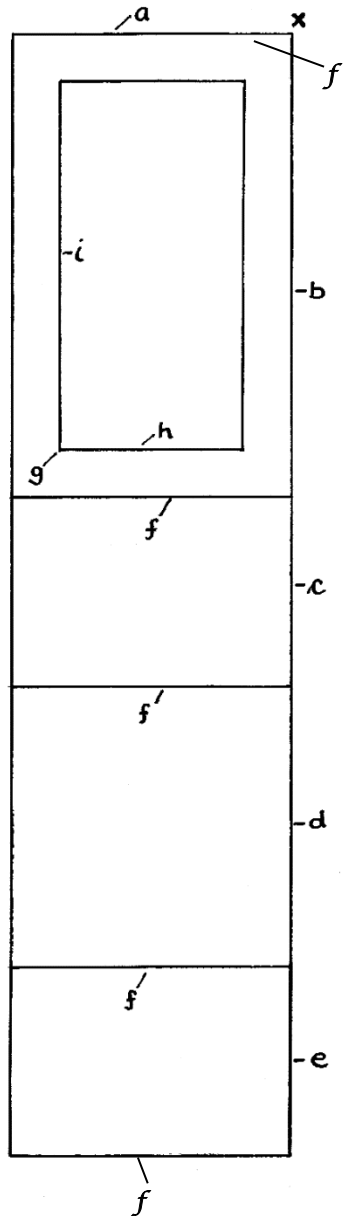
End elevation

- | | | |
|-----|----------------------------------|---|
| (h) | Correct projection | 1 |
| (i) | Width 80 (full width line shown) | 1 |
| (j) | Width 20 | 1 |
| (k) | Width 10 or as (d),(e). | 1 |
| (l) | Height 10 | 1 |
| (m) | Broken lines (both) | 1 |

DA 6

Total DA 13

(i), (j), (k) may follow on from plan (a), (b), (d), (e) if valid projection



Question 8

- | | | |
|-----|--|---|
| (a) | Length 60 | 1 |
| (b) | Width 100 | 1 |
| (c) | Height 40 | 1 |
| (d) | Width 50 | 1 |
| (e) | Height 40 (if (c) is wrong and used at e then follow on) | 1 |
| (f) | Lines (all 5 for 2, 2 for 1) (outlines or full lines) | 2 |
| (g) | Position | 1 |
| (h) | Label length | 1 |
| (i) | Label width | 1 |

Total DA 10

Must be a valid development

Size at (a) if (b) is not correct can lead to a possible follow on at position and label – (g), (h), (i)

[END OF MARKING INSTRUCTIONS]