



2012 Graphic Communication

Standard Grade – General

Finalised Marking Instructions

© Scottish Qualifications Authority 2012

The information in this publication may be reproduced to support SQA qualifications only on a non-commercial basis. If it is to be used for any other purposes written permission must be obtained from SQA's NQ Delivery: Exam Operations.

Where the publication includes materials from sources other than SQA (secondary copyright), this material should only be reproduced for the purposes of examination or assessment. If it needs to be reproduced for any other purpose it is the centre's responsibility to obtain the necessary copyright clearance. SQA's NQ Delivery: Exam Operations may be able to direct you to the secondary sources.

These Marking Instructions have been prepared by Examination Teams for use by SQA Appointed Markers when marking External Course Assessments. This publication must not be reproduced for commercial or trade purposes.

**2012 Graphic Communication SG General
Marking Instructions**

- | | | | | |
|----|------------|--------|----------------|--------------------|
| 1. | (a) | Plan A | Floor | |
| | | Plan B | Block/Location | |
| | | Plan C | Site | KI 3 |
| | (b) | D | Shower Tray | |
| | | E | Wash Basin | |
| | | F | Bath | |
| | | G | Lamp | |
| | | H | Switch | |
| | | I | Socket | KI 6 |
| | (c) | (i) | Scale | 1 : 1250 |
| | | (ii) | Symbol X | North symbol/North |

TOTAL KI 11

- | | | | | |
|----|------------|--------|-----------------------|---------------|
| 2. | (a) | (i) | Colour | Yellow/Orange |
| | | (ii) | Colour | Blue/Brown |
| | | (iii) | Colour | Green |
| | | (iv) | Colour | Red |
| | (b) | | Red-Violet/Red-Purple | KI 4 |
| | (c) | | Blue-Green | KI 1 |
| | (d) | Colour | Red-Orange | KI 1 |
| | | Colour | Yellow-Orange | KI 1 |
| | (e) | | A secondary colour | KI 1 |

TOTAL KI 9

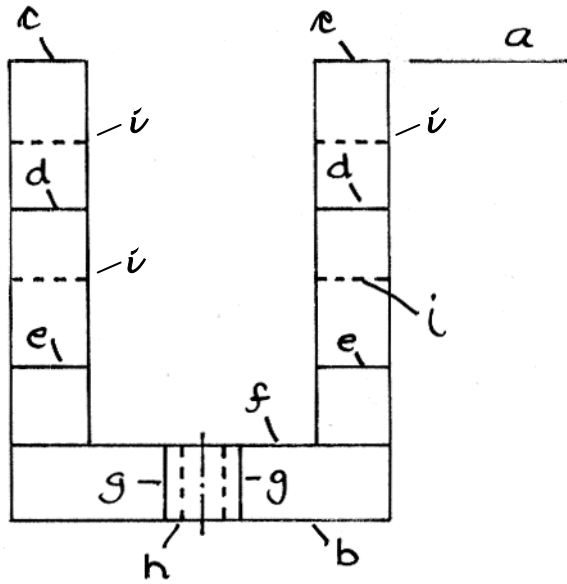
- | | | | |
|----|---|----------|--------------------|
| 3. | 1 | Command: | Line |
| | 2 | Command: | Chamfer/Trim Bevel |
| | 3 | Command: | Polar Array/Array |
| | 4 | Command: | Hatch/Pattern Fill |
| | 5 | Command: | Copy |
| | 6 | Command: | Circle |
| | 7 | Command: | Delete |
| | 8 | Command: | Text |
| | 9 | Command: | Zoom/Magnify/Scale |

(1 mark each)

TOTAL KI 9

4. (a) View A Oblique
View B Planometric
View C 1Pt Perspective KI 3
- (b) 2 Pt Perspective KI 1
- (c) Angle 45° KI 1
- (d) Pictorial KI 1

TOTAL KI 6

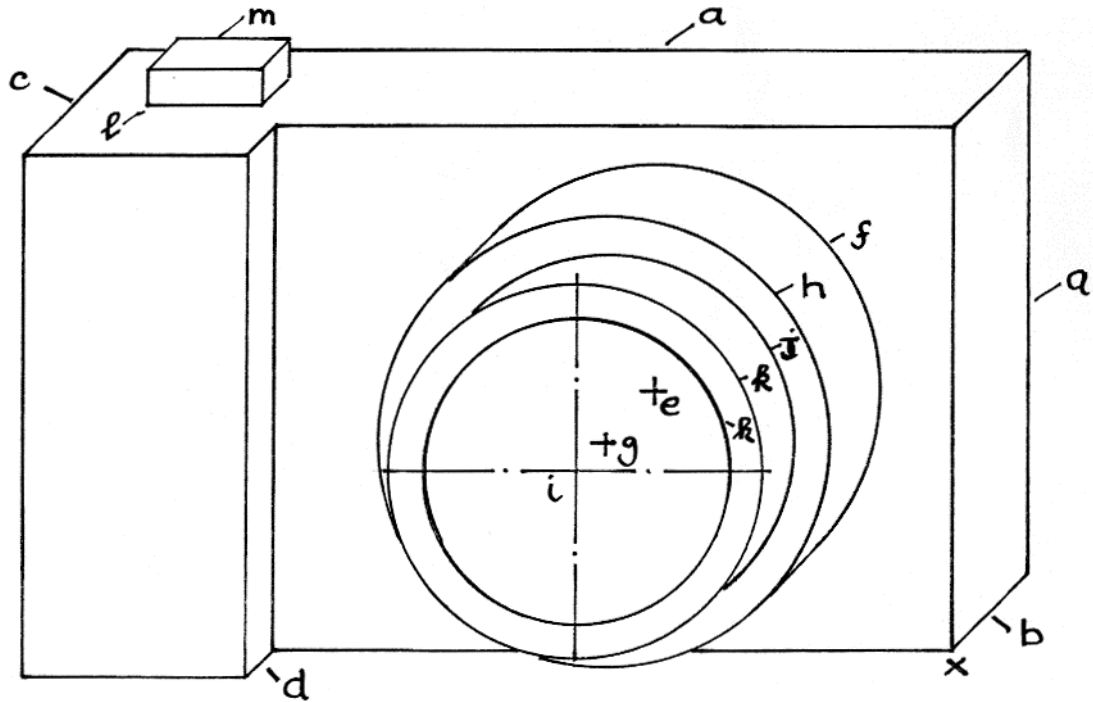


Question 5

End Elevation

(a)	Correct projection (third angle)	1
(b)	Width 50	1
(c)	Width 10 (both)	1
(d)	Lines	1
(e)	Lines	1
(f)	Line	1
(g)	Vertical lines	1
(h)	Hidden lines (dia. 6 hole)	1
(i)	Hidden lines (dia. 18 holes)	1
	(all for 2, 2 for 1)	2

Total DA 10



Question 6

- | | | |
|-----|-----------------------------------|---|
| (a) | Crate length and height | 1 |
| (b) | Width | 1 |
| (c) | Width | 1 |
| (d) | Step | 1 |
| (e) | Position of centre (body centre) | 1 |
| (f) | Part circle (must be part circle) | 1 |
| (g) | Position of centre | 1 |
| (h) | Part circle | 1 |
| (i) | Position of centre | 1 |
| (j) | Circle (part circle) | 1 |
| (k) | Circles (both) | 1 |
| (l) | Button position | 1 |
| (m) | Button length, breadth and height | 1 |

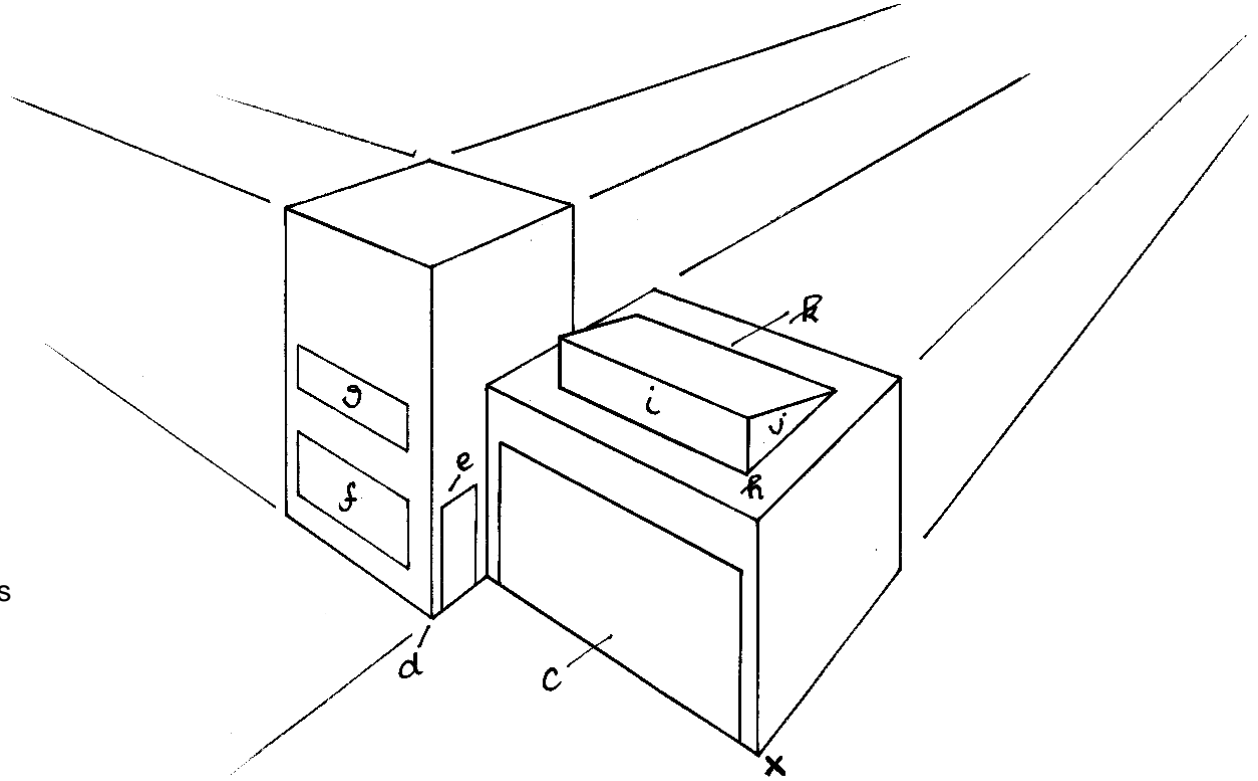
Total DA 13

Question 7

- | | |
|---|---|
| (a) Sketch in good perspective | 1 |
| (b) Buildings in good proportion
(1 mark for each) | 2 |
| (c) Door (top line must go to VP) | 1 |
| (d) Position of annexe | 1 |
| (e) Door | 1 |
| (f) Window | 1 |
| (g) Window | 1 |
| (h) Sky light position | 1 |
| (i) Sky light front rectangle | 1 |
| (j) Slope | 1 |
| (k) Line | 1 |

Total DA 12

For marks c, e, f, g, i and k, it must be obvious that there is convergence to a VP.



Question 8

Elevation

- (a) Length a/c, a/f 1
- (b) 4 edges 1
- (c) Label line 1
- (d) Label sloping lines 1
- (e) 3 broken lines (all 3 FTE) 1
- (f) Edge lines (all 3) 1

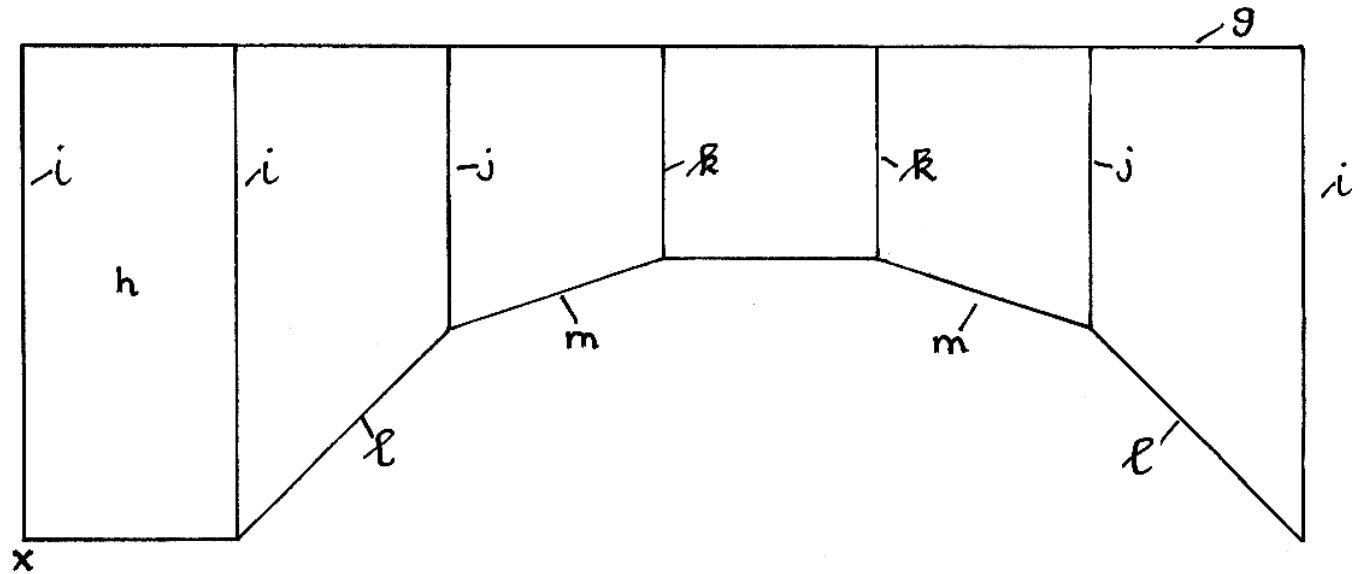
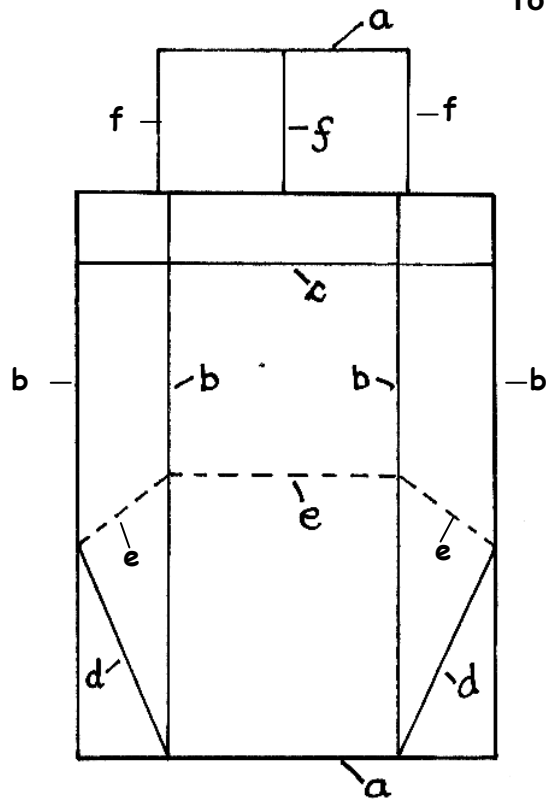
DA 6

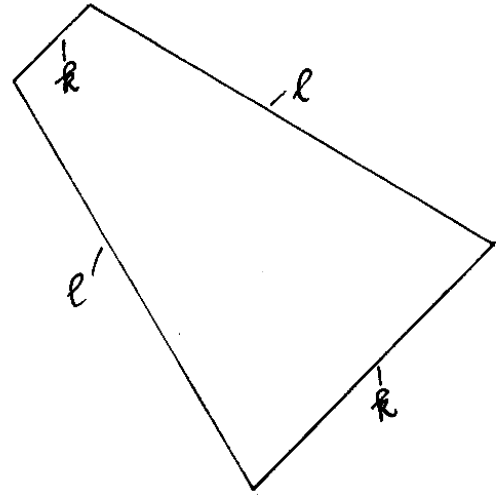
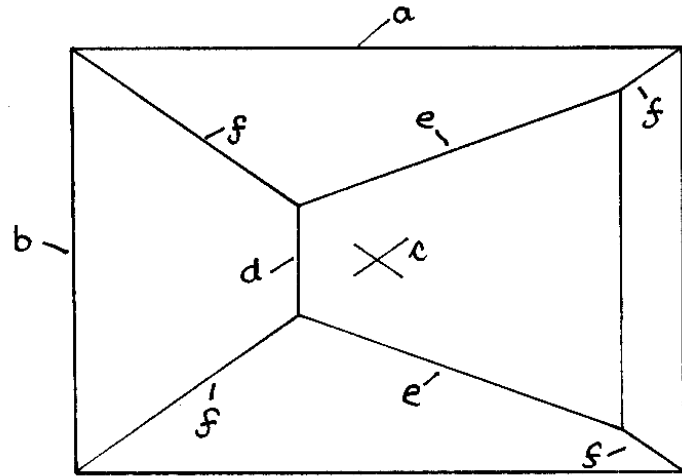
Total DA 13

Development

- (g) Total length (± 12) 1
- (h) 6 sides shown (equal width) 1
- (i) Height 70 (all 3) 1
- (j) Height 40 (both) 1
- (k) Height 30 (both) 1
- (l) Sloping lines + horizontal (all 3) 1
- (m) Sloping line + horizontal line 1

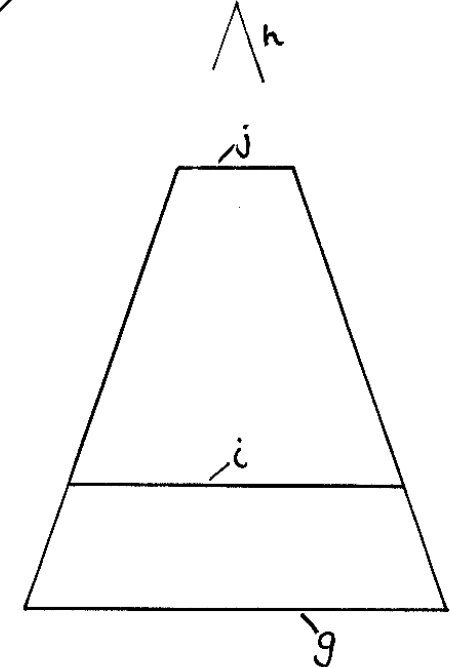
DA 7





True
 (k) Lines (both) 1
 (l) Sloping lines 1

DA 2



DA 4

Question 9

- Plan**
- (a) Length 1
 - (b) Breadth 1
 - (c) Edges drawn to correct apex 1
 - (d) Cut projected both lines 1
 - (e) 2 lines shown 1
 - (f) Edges outlined (all 4) 1

DA 6

Total DA 12

- End Elevation**
- (g) Breadth 70 1
 - (h) Lines in correct apex (FTE) 1
 - (i) Line 1
 - (j) Line 1

DA 4

[END OF MARKING INSTRUCTIONS]