

STAPLE HERE

FOR OFFICIAL USE

--	--	--	--	--	--

**X033/10/01**

NATIONAL TUESDAY, 21 MAY  
 QUALIFICATIONS 1.00 PM – 3.00 PM  
 2013

**GRAPHIC  
 COMMUNICATION  
 INTERMEDIATE 1**

**Fill in these boxes and read what is printed below.**

Full name of centre  Town

Forename(s)  Surname

Date of birth Day  Month  Year  Scottish candidate number  Number of seat

**70 marks are allocated to this paper**

- 1 Answer all questions.
- 2 Read each question carefully before you answer.
- 3 Written answers may be in **ink** or **pencil**.
- 4 Drawings and sketches **must be in pencil**.
- 5 Dimensions are given in millimetres or as stated.
- 6 Orthographic drawings are in third angle projection.

**At the end of the examination**  
 check that your name is on every sheet;  
 put the sheets in correct numerical order;  
 place this sheet on top of the others;  
 join all sheets together by **stapling** at the top left-hand corner;  
 before leaving the examination room, you must give these sheets to the Invigilator  
 (if you do not you may lose all the marks for this paper).

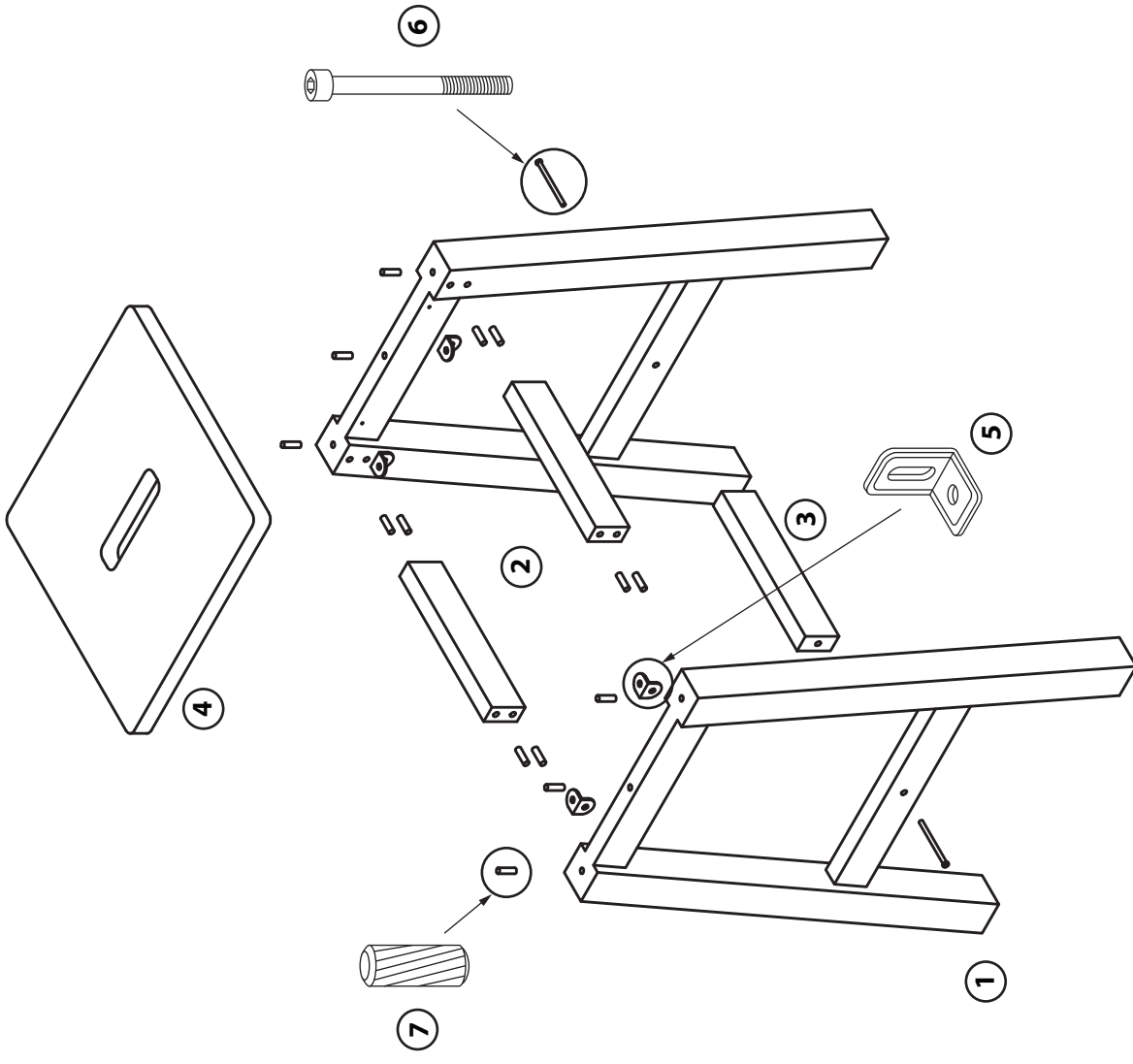
Question	Marks
1	
2	
3	
4	
5	
6	
7	
8	
Total Marks	



[BLANK PAGE]

**1**

An exploded pictorial view and a parts list for a small stool are shown below.



ITEM NO.	Part Number	NAME / DIMENSIONS	MATERIAL	NO. REQUIRED
1	111631	A - Frame 500 x 300 x 40	Pine	2
2	103404	Top Bar 200 x 40 x 20	Pine	2
3	103405	Centre Bar 220 x 40 x 20	Pine	1
4	102600	Stool Top 350 x 350 x 20	Pine	1
5	102646	Angled Bracket	Steel	4
6	101350	Bolt - M8 x 60mm	Steel	2
7	100159	Dowel Ø8 x 20mm	Ramin	14

- (a) State the material of part 103404. 1
- .....
- (b) State the length of the Centre Bar. 1
- .....
- (c) State how many Angled Brackets are required for the assembly. 1
- .....
- (d) State the diameter of part 101350. 1
- .....
- (e) State the part number for the A-Frame. 1
- .....

(5 marks)

**2**

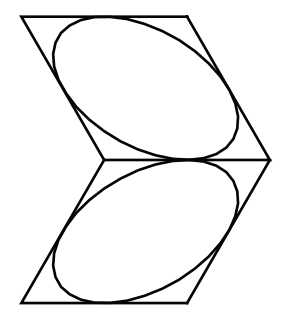
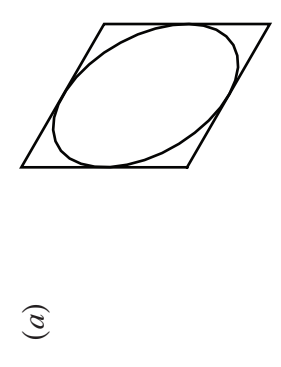
A playgroup has decided to decorate one of their playrooms. Blue was the colour suggested.

- (a) State the **two** other primary colours that could have been chosen.
  - (i) .....
  - (ii) .....
- (b) State a secondary colour that contrasts with blue.
  - .....
- (c) State how a secondary colour is created.
  - .....

(4 marks)

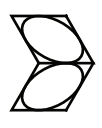
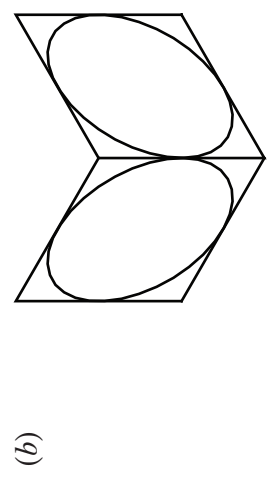
3

The stages in creating a CAD drawing are shown below. State the single command that would be used for each stage.



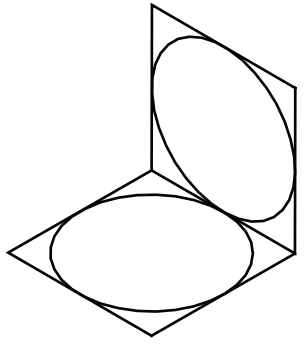
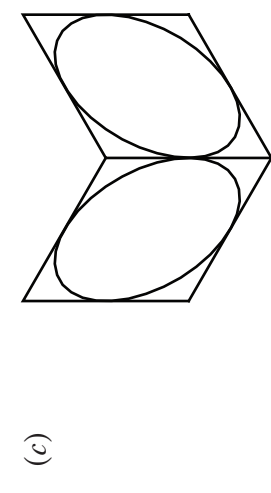
Single command .....

1



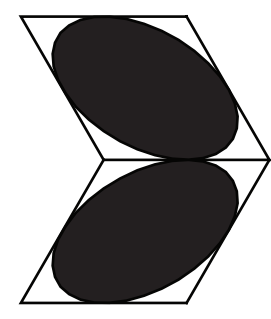
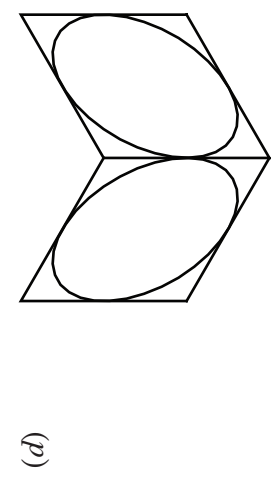
Single command .....

1



Single command .....

1



Single command .....

1

(4 marks)

4

A new menu design is required for a fast food take-away. In the space below sketch, approximately to scale, a menu layout using the items listed below.

(a) A portrait page 100 mm x 150 mm 1

(b) A header stating "Lunch on the Move" 1

(c) A margin on each side of 10 mm 1

(d) Two equal columns for text 1

(4 marks)

5

An isometric view and the end elevation of a chair are given.

**Draw**, full size, in the positions indicated:

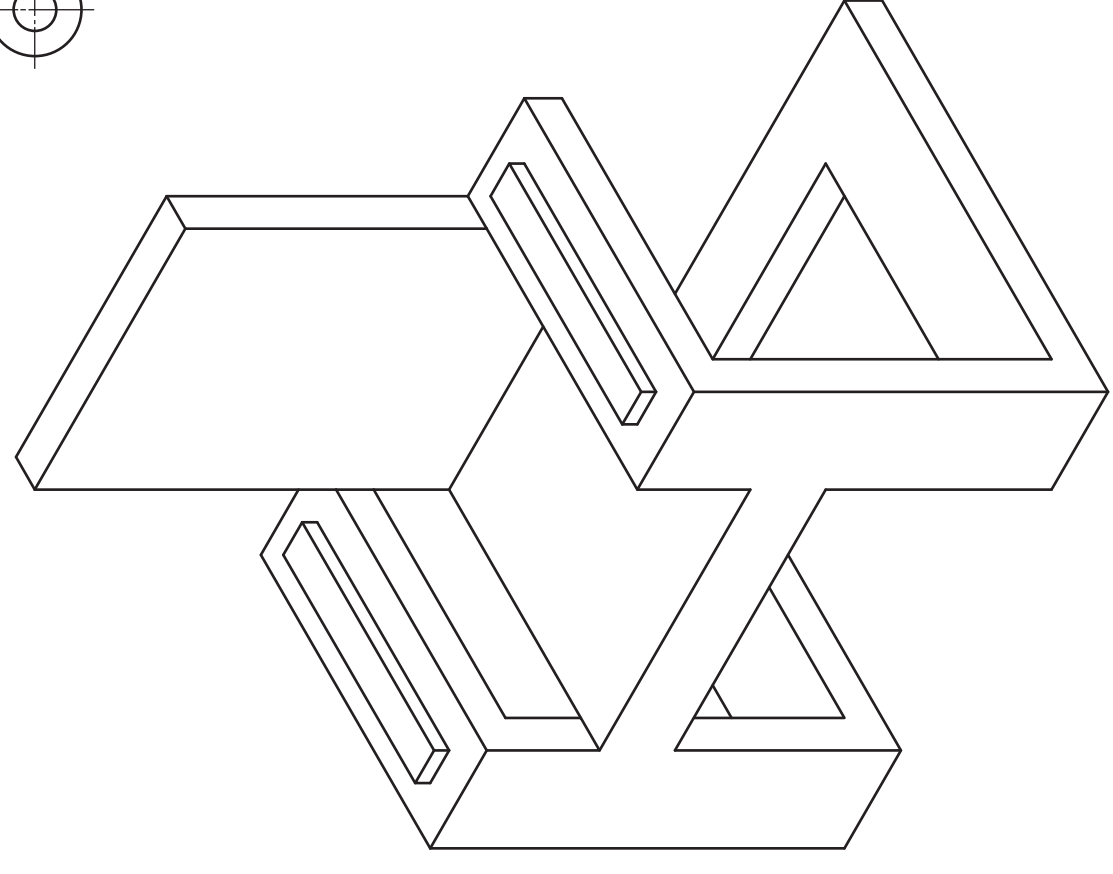
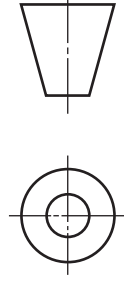
(a) the elevation;

(b) the plan.

**Show all hidden detail.**

**(12 marks)**

5

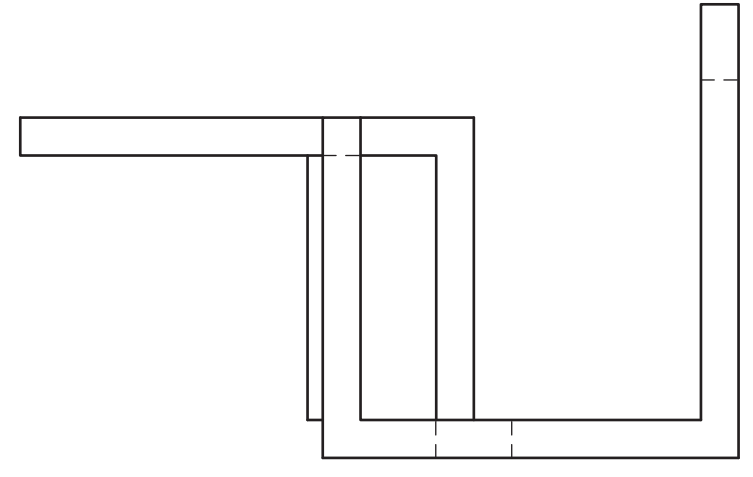


Isometric View  
Scale 1:1

a	b	c	d	e	f	g	h	i	j	k	l	m	n	
---	---	---	---	---	---	---	---	---	---	---	---	---	---	--



Plan



End Elevation



Elevation

Candidate's Name \_\_\_\_\_

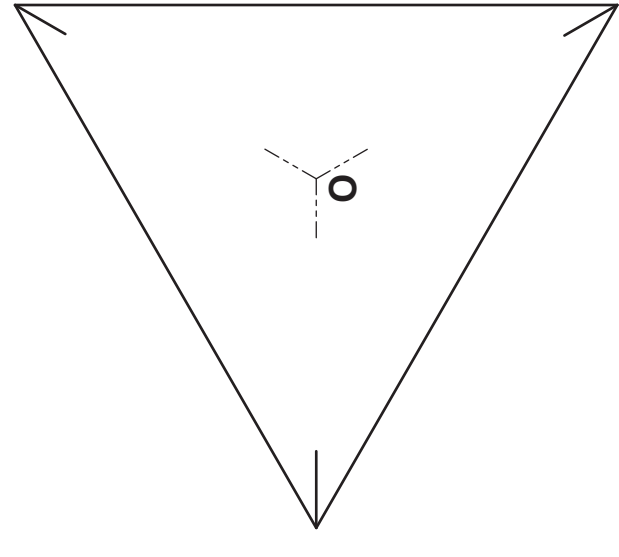
6

The elevation and incomplete plan of a jelly mould based on a hollow triangular pyramid are given.

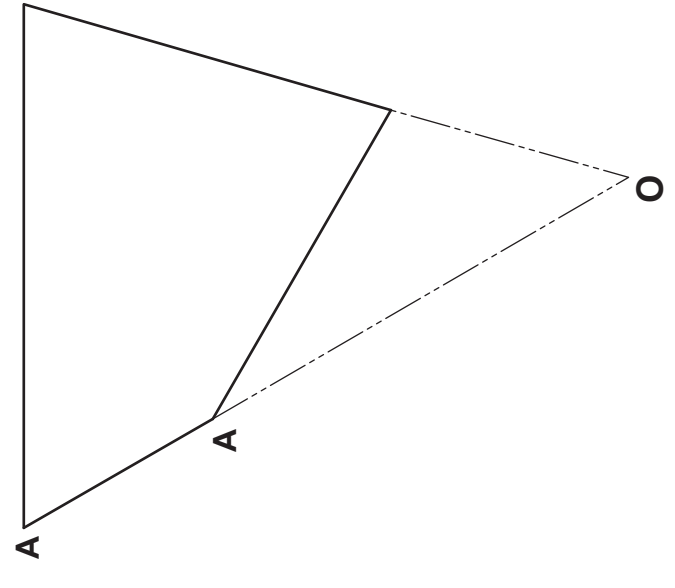
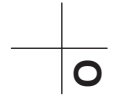
Draw, in the positions indicated:

- (a) the **complete** plan;
- (b) the end elevation;
- (c) the development of the sloping sides of the jelly mould opened along seam **A-A**.

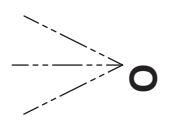
(13 marks)



Plan

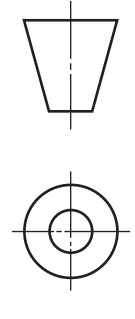


Elevation



End Elevation

6



<i>a</i>	
<i>b</i>	
<i>c</i>	
<i>d</i>	
<i>e</i>	
<i>f</i>	
<i>g</i>	
<i>h</i>	
<i>i</i>	
<i>j</i>	
<i>k</i>	
<i>l</i>	
<i>m</i>	
<i>n</i>	

Development

7

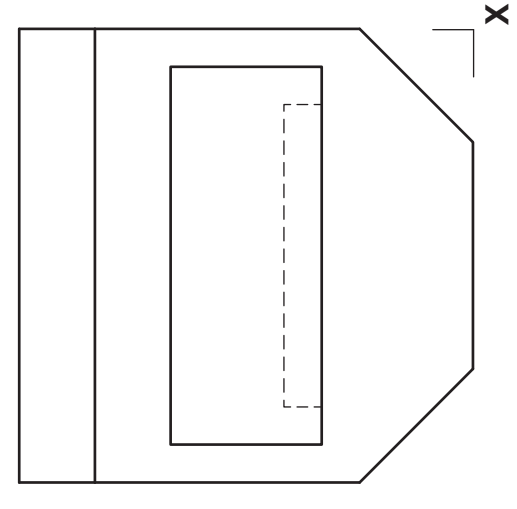
The elevation, end elevation and plan of a phone and charger are given.

Draw, in the position indicated, an **exploded** isometric view of the phone and charger.

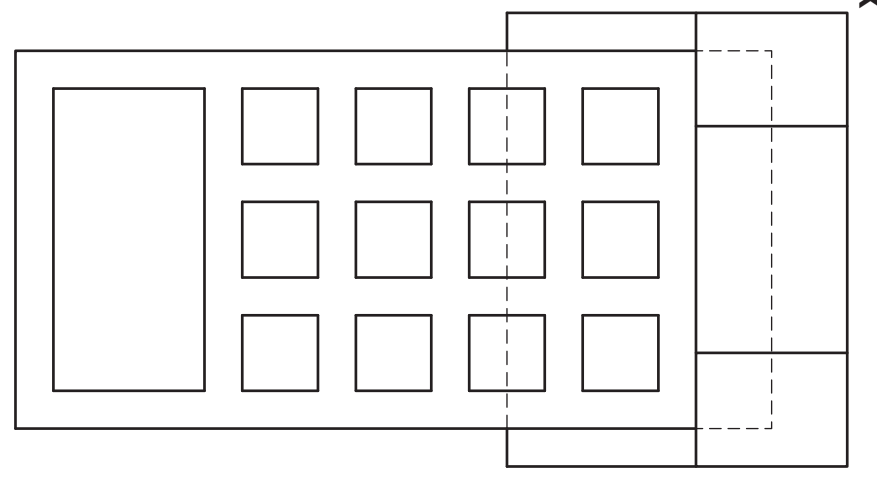
Do not show hidden detail.

(14 marks)

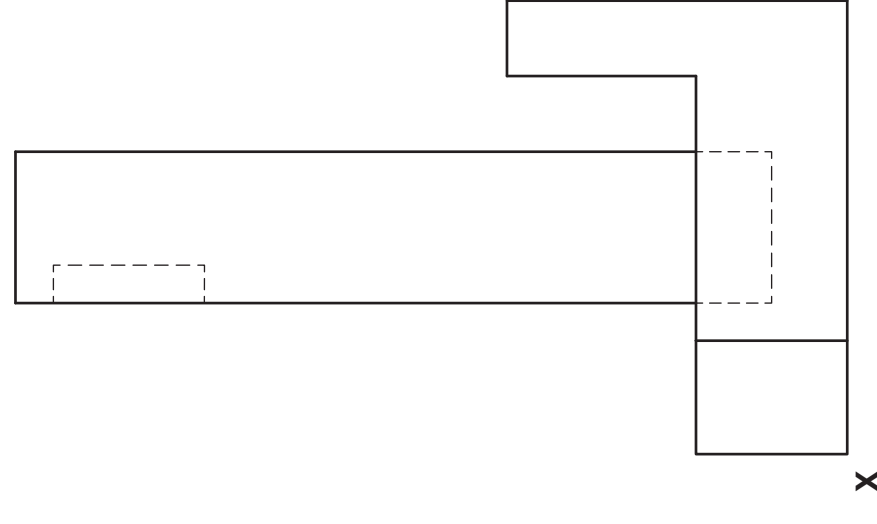
7



Plan



Elevation



End Elevation



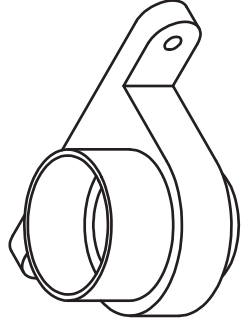
Exploded Isometric View

a	
b	
c	
d	
e	
f	
g	
h	
i	
j	
k	
l	
m	
n	

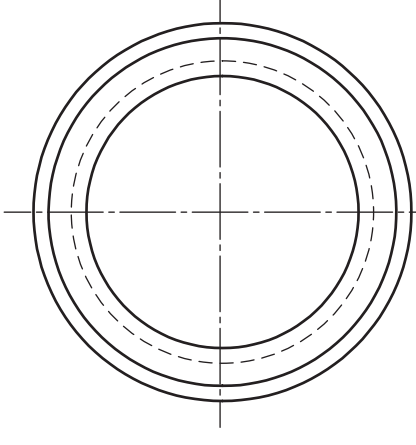
The elevation and plan of a cup and cup holder are given. A pictorial view is shown opposite.

**Draw**, full size, in the positions indicated:

- (a) the completed plan of the assembled cup and cup holder; **Show all hidden detail.**
- (b) the completed elevation of the assembled cup and cup holder; **Show all hidden detail.**
- (c) the sectional end elevation on **X-X** of the assembled cup and cup holder. **(14 marks)**  
**Do not show hidden detail.**

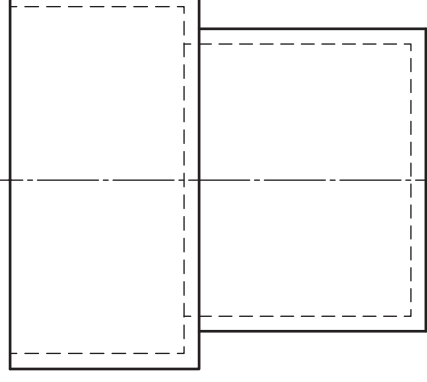


**Pictorial View**

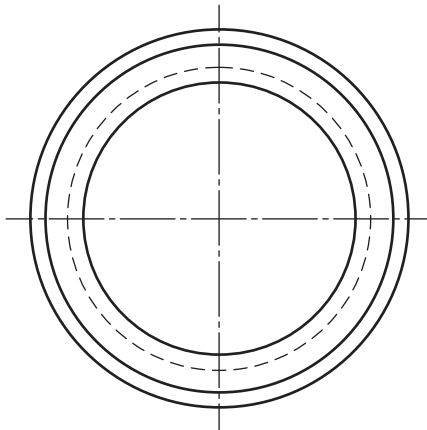


Plan

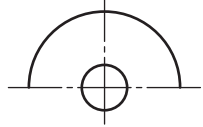
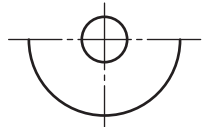
**Cup**



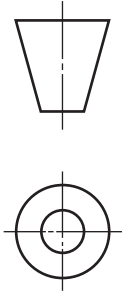
Elevation



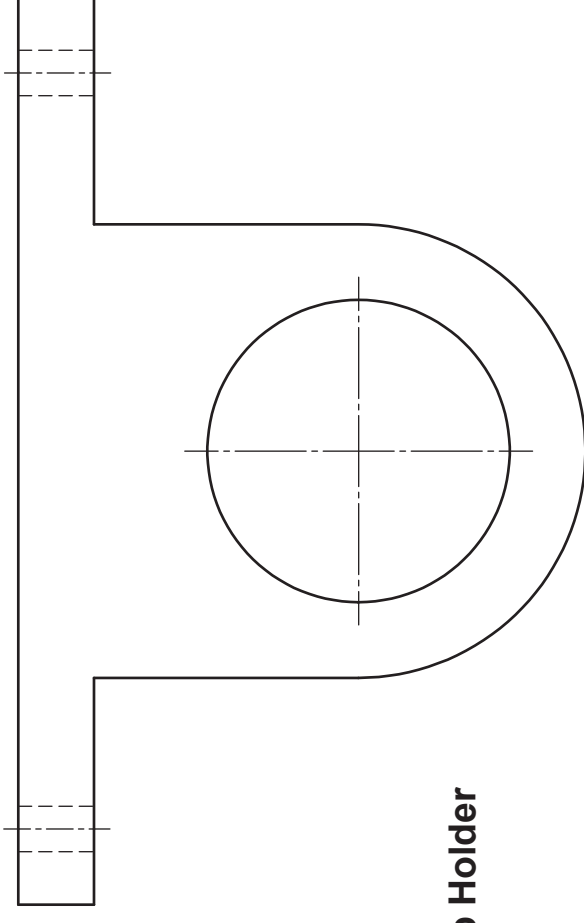
Plan



Elevation



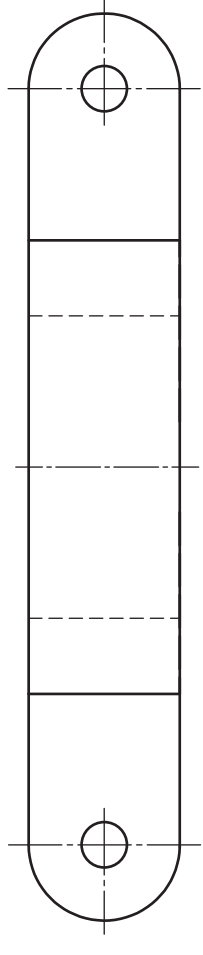
a	
b	
c	
d	
e	
f	
g	
h	
i	
j	
k	
l	
m	
n	



**Cup Holder**

Plan

Elevation



Plan

Elevation