

STAPLE HERE

FOR OFFICIAL USE

--	--	--	--	--	--

X033/1 1/01

NATIONAL
QUALIFICATIONS
2013

TUESDAY, 21 MAY
1.00 PM – 3.30 PM

GRAPHIC
COMMUNICATION
INTERMEDIATE 2

Fill in these boxes and read what is printed below.

Full name of centre

Town

Forename(s)

Surname

Date of birth

Day Month Year

--	--	--	--	--	--	--	--

Scottish candidate number

--	--	--	--	--	--	--	--	--	--	--	--

Number of seat

70 marks are allocated to this paper

- 1 Answer **all** questions.
- 2 Read each question carefully before you answer.
- 3 Written answers may be in **ink** or **pencil**.
- 4 Drawings and sketches **must be in pencil**.
- 5 Dimensions are given in millimetres or as stated.
- 6 Orthographic drawings are in third angle projection.

At the end of the examination

check that your name is on every sheet;
 put the sheets in correct numerical order;
 place this sheet on top of the others;
 join all sheets together by **stapling** at the top left-hand corner;
 before leaving the examination room, you must give these sheets to the Invigilator
 (if you do not you may lose all the marks for this paper).

Question	Marks
1	
2	
3	
4	
5	
6	
7	
8	
Total Marks	




1

The safety symbols below are displayed in commonwealth games construction sites.

In the positions indicated, tick () the type of safety symbol shown and state the appropriate safety colour which should be used.

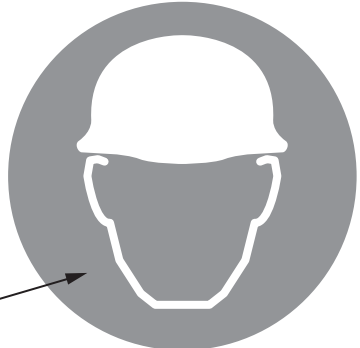
Prohibition
 Safe Condition
 Mandatory
 Warning

Colour used here:




Prohibition
 Safe Condition
 Mandatory
 Warning

Colour used here:



Prohibition
 Safe Condition
 Mandatory
 Warning

Colour used here:

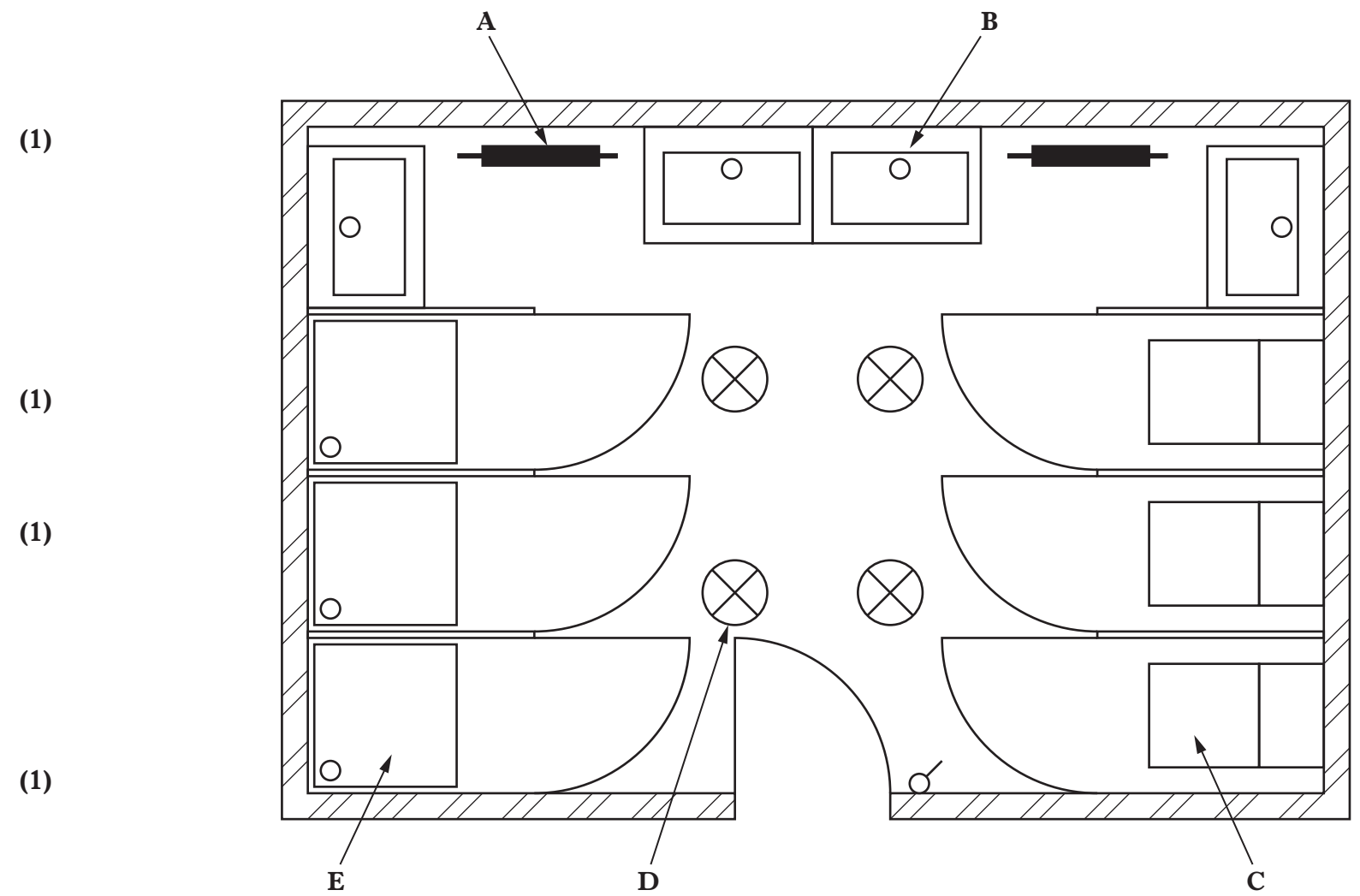


(6 marks)

2

A CAD floor plan for a sports changing facility is shown below.

State the name of the BSI symbol shown at A, B, C, D and E.



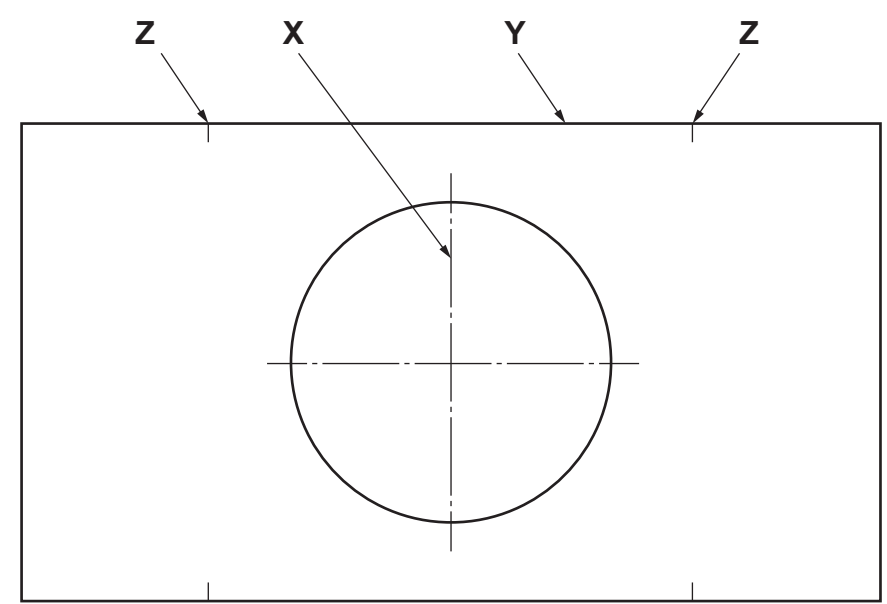
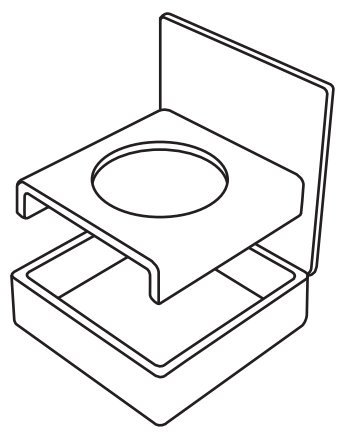
- A (1)
- B (1)
- C (1)
- D (1)
- E (1)

(5 marks)

Candidate's Name _____

3

A medal box and plastic insert are shown below. The surface development of the plastic insert is also shown.



(a) Identify, according to British Standards, the two line types shown.

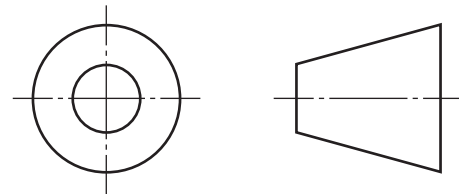
X

Y

(2)

(b) Add, according to British Standards, the two missing fold lines marked at Z. (1)

(c) State the name of the British Standard symbol shown below.



.....

(1)

(4 marks)

4

A Commonwealth Games flyer has been produced for the track cycling events.

Label the flyer to show the Desktop Publishing and Illustration terms below.

(a) Column (1)

(b) Footer (1)

(c) Gradient Fill (1)

(d) Gutter (1)

(e) Caption (1)

(5 marks)

Candidate's Name _____

5

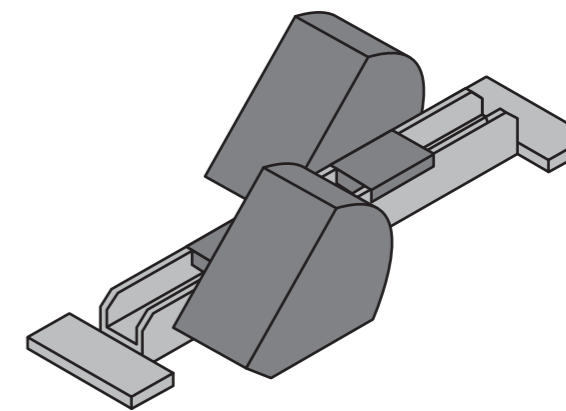
The elevation and end elevation of a pair of running starting blocks are given below.

A pictorial view is also shown.

Draw, in the position indicated, the plan.

Show all hidden detail.

(12 marks)

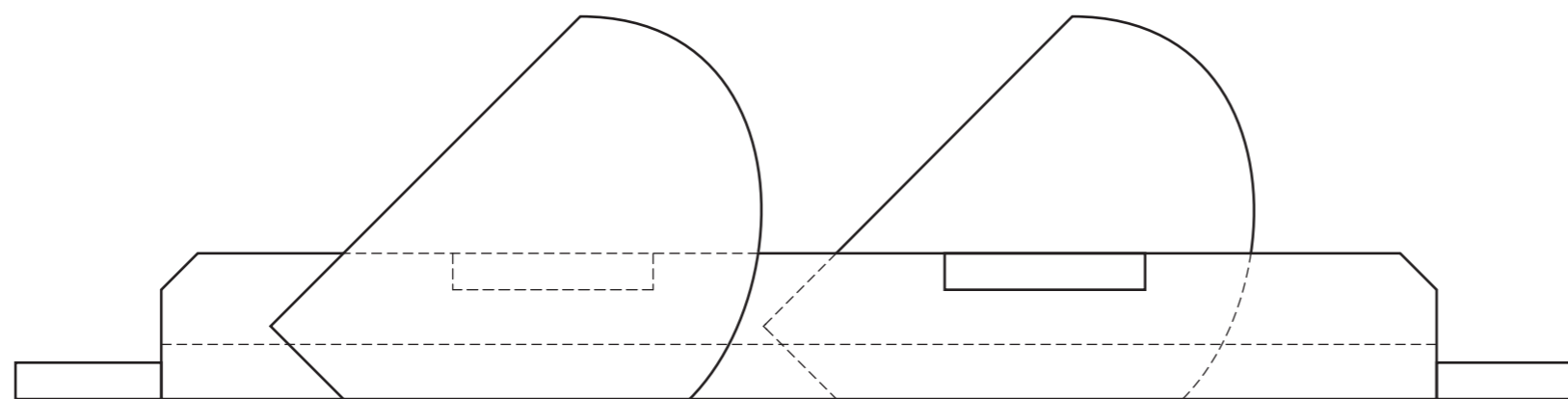


Pictorial View

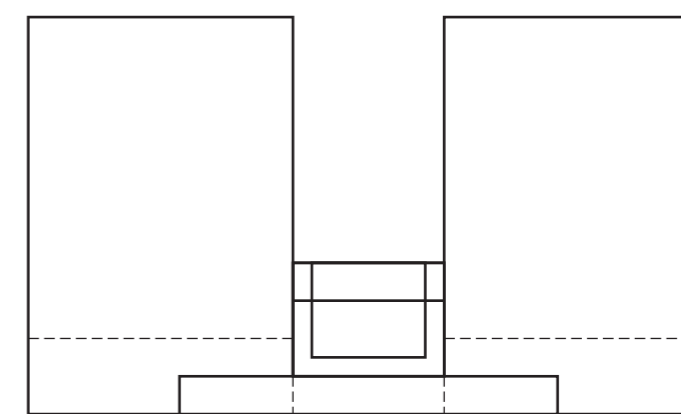
5

<i>a</i>	
<i>b</i>	
<i>c</i>	
<i>d</i>	
<i>e</i>	
<i>f</i>	
<i>g</i>	
<i>h</i>	
<i>i</i>	
<i>j</i>	
<i>k</i>	
<i>l</i>	
<i>m</i>	
<i>n</i>	

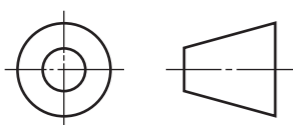
Plan



Elevation



End Elevation



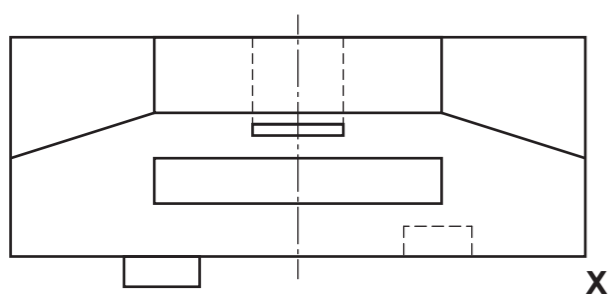
6

The elevation, end elevation and plan of a digital stopwatch are given.

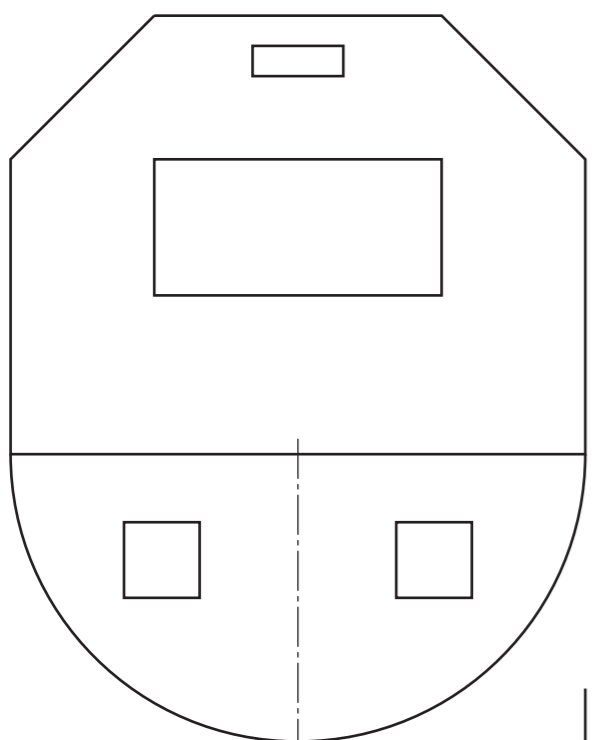
Draw an isometric view in the position indicated.

Do not show hidden detail.

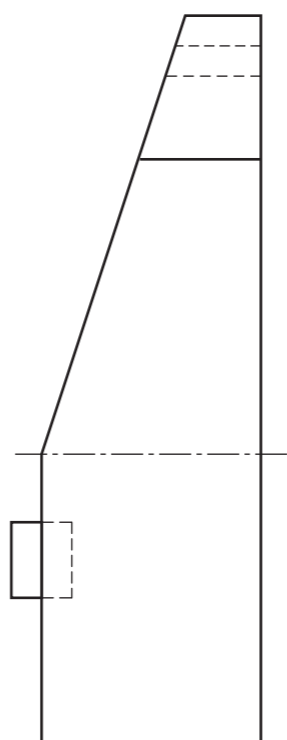
(14 marks)



Plan

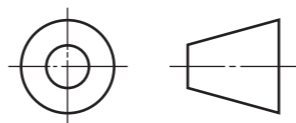


Elevation



End Elevation

Isometric View



Candidate's Name _____

6

<i>a</i>	
<i>b</i>	
<i>c</i>	
<i>d</i>	
<i>e</i>	
<i>f</i>	
<i>g</i>	
<i>h</i>	
<i>i</i>	
<i>j</i>	
<i>k</i>	
<i>l</i>	
<i>m</i>	
<i>n</i>	

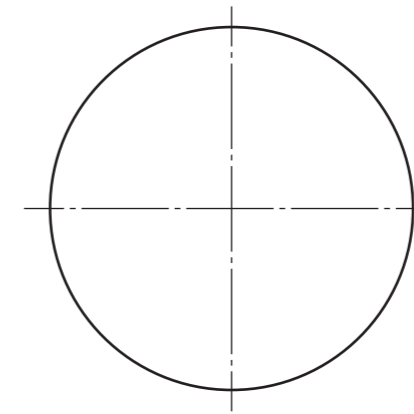
The elevation and incomplete plan of a commonwealth torch design are given. A pictorial view is also shown.

Draw, full size, in the positions indicated:

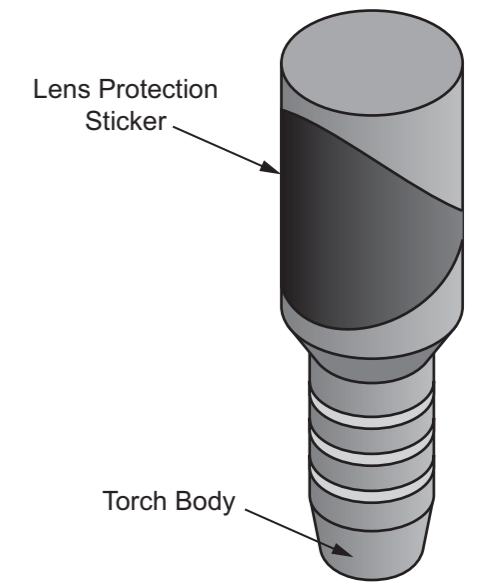
- (a) the completed plan;
- (b) the end elevation;
- (c) the surface development of the lens protection sticker.

Show all hidden detail.

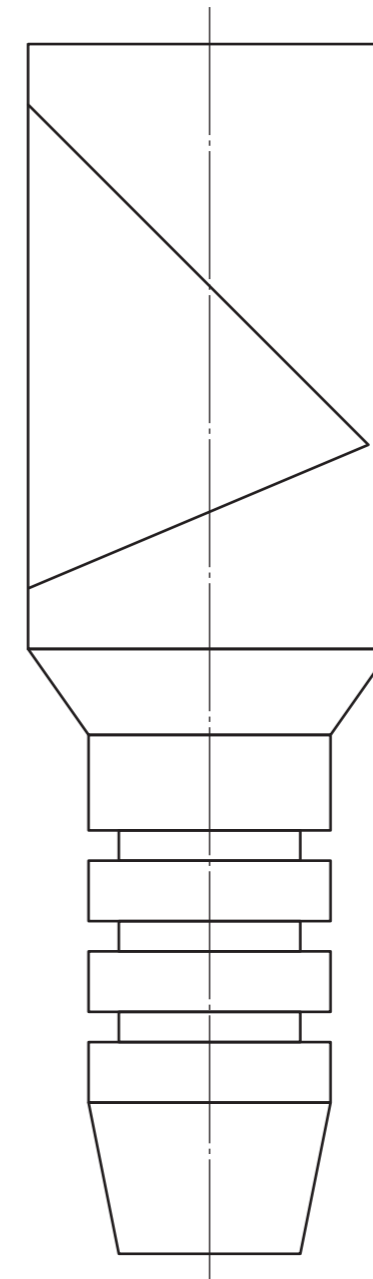
(12 marks)



Plan



Pictorial View



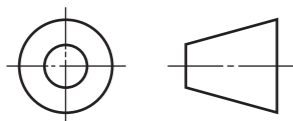
Elevation



End Elevation

Development of Lens Protection Sticker

<i>a</i>	
<i>b</i>	
<i>c</i>	
<i>d</i>	
<i>e</i>	
<i>f</i>	
<i>g</i>	
<i>h</i>	
<i>i</i>	
<i>j</i>	
<i>k</i>	
<i>l</i>	
<i>m</i>	
<i>n</i>	



Orthographic views of three component parts which make up a pedal of a racing bicycle are given.

An exploded pictorial view is also shown.

Draw, full size, in the position indicated:

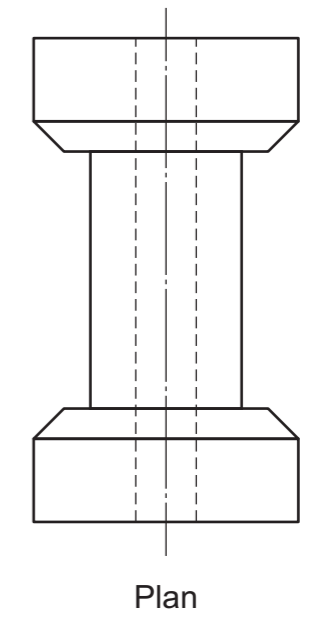
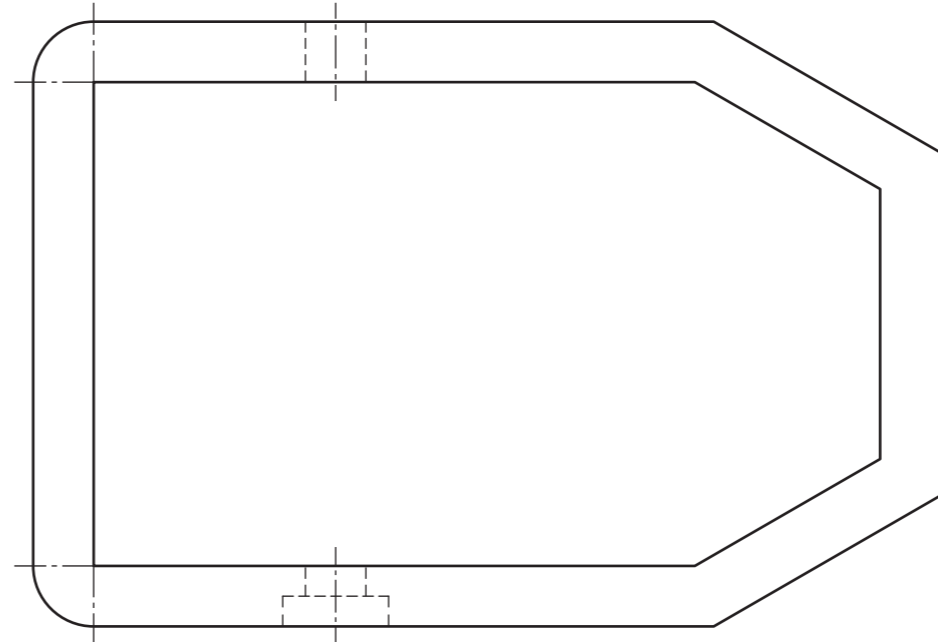
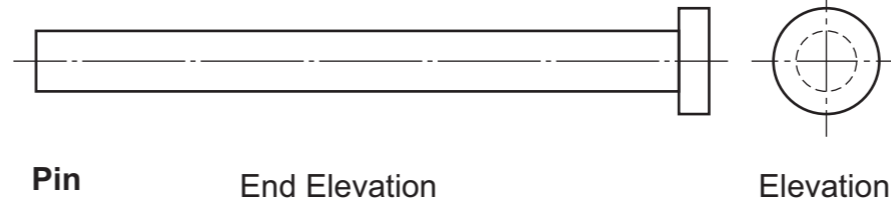
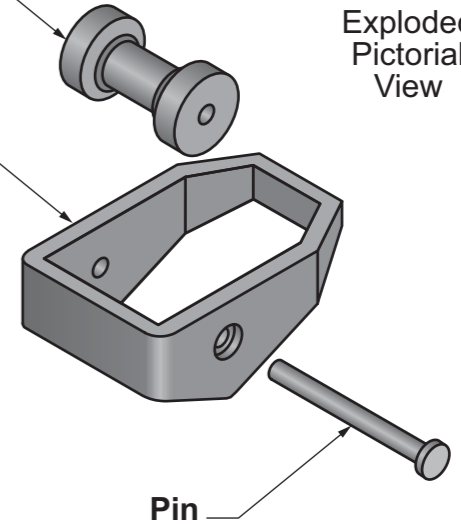
- (a) the completed elevation of the assembled bicycle pedal;
Show all hidden detail.
- (b) the sectional plan on **A-A** of the assembled bicycle pedal.
Do not show hidden detail.

(12 marks)

Pedal Support

Pedal Plate

Exploded Pictorial View



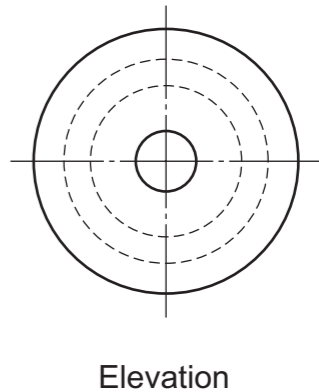
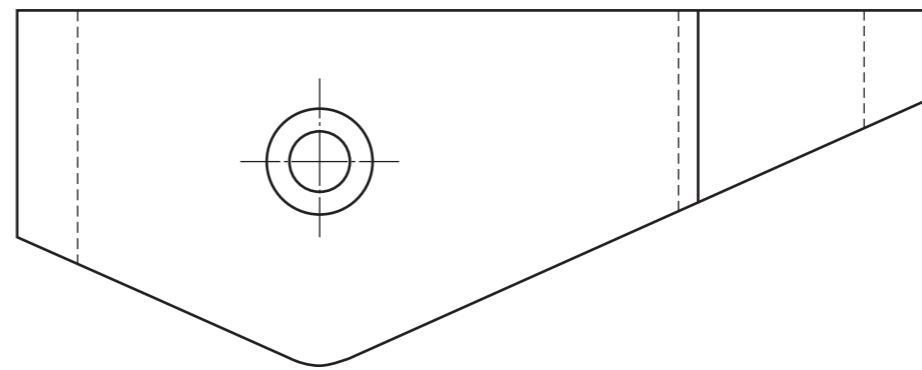
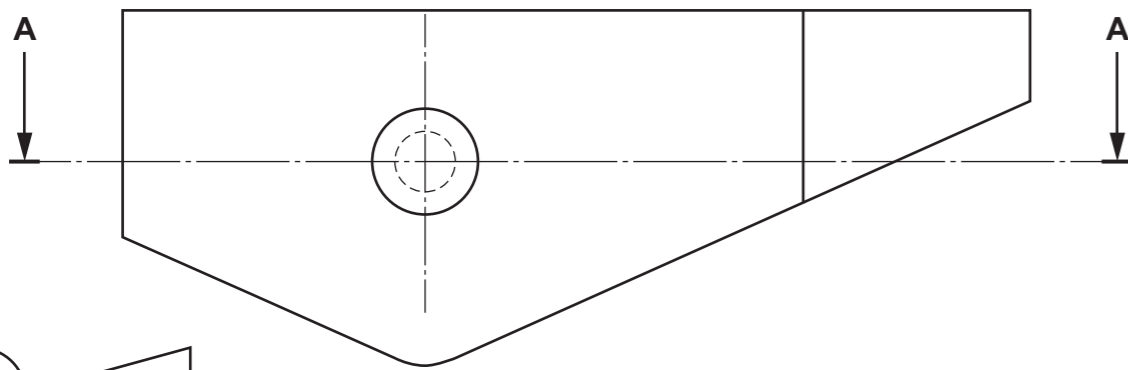
a	
b	
c	
d	
e	
f	
g	
h	
i	
j	
k	
l	
m	
n	

Sectional Plan on A-A

Pedal Plate

Plan

Pedal Support



Elevation

Elevation

Elevation

ACKNOWLEDGEMENTS

Question 4—Text is adapted from www.uci.ch. Reproduced by kind permission of Union Cycliste Internationale.

Question 4—Glasgow 2014 logo is reproduced by kind permission of Glasgow 2014 Ltd.