

Diagram 1

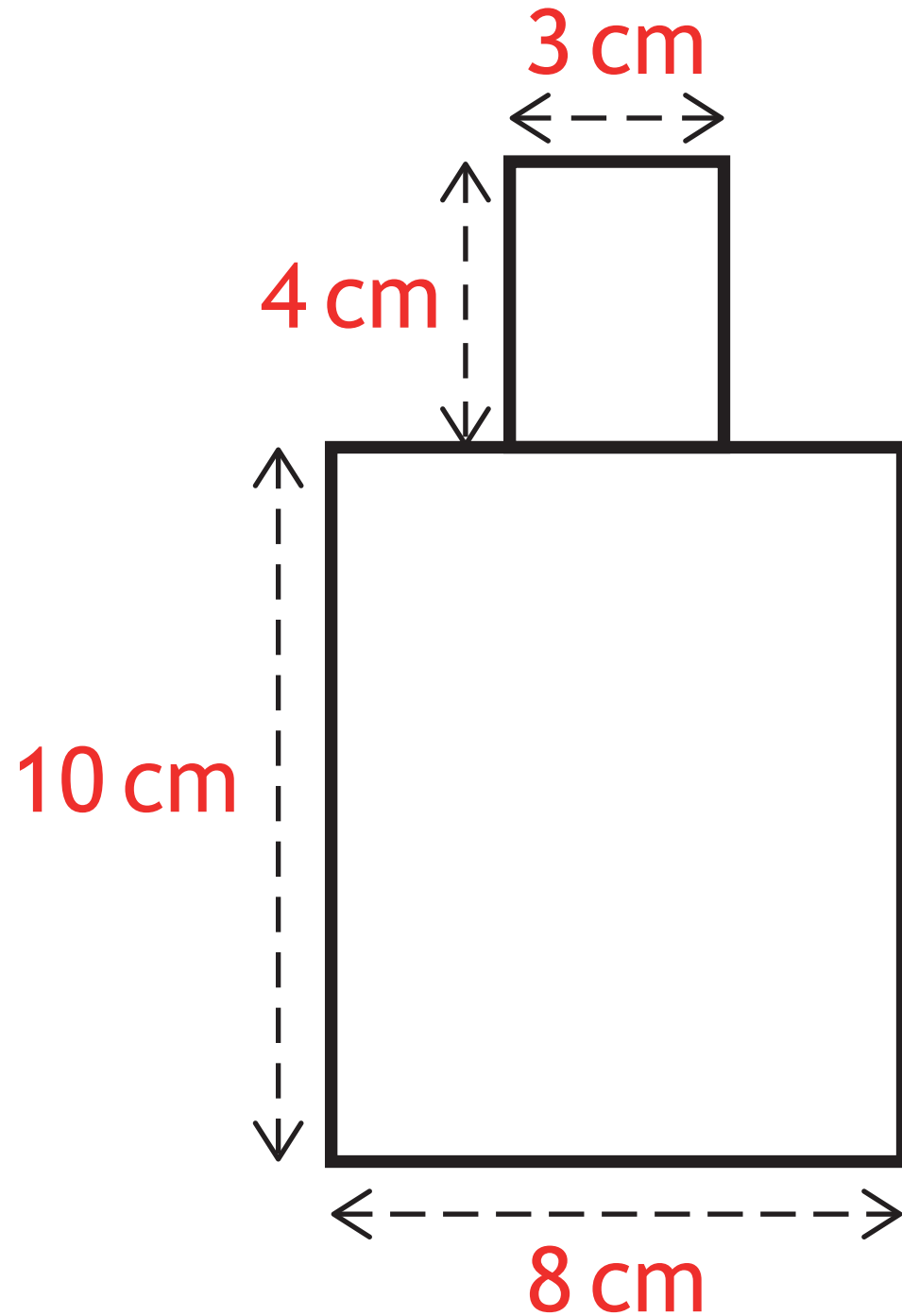
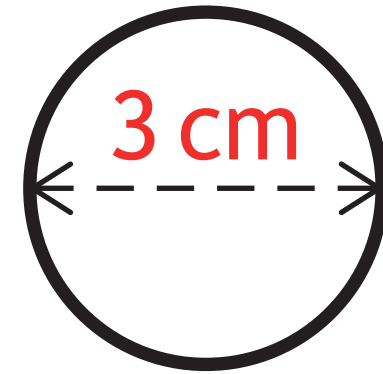
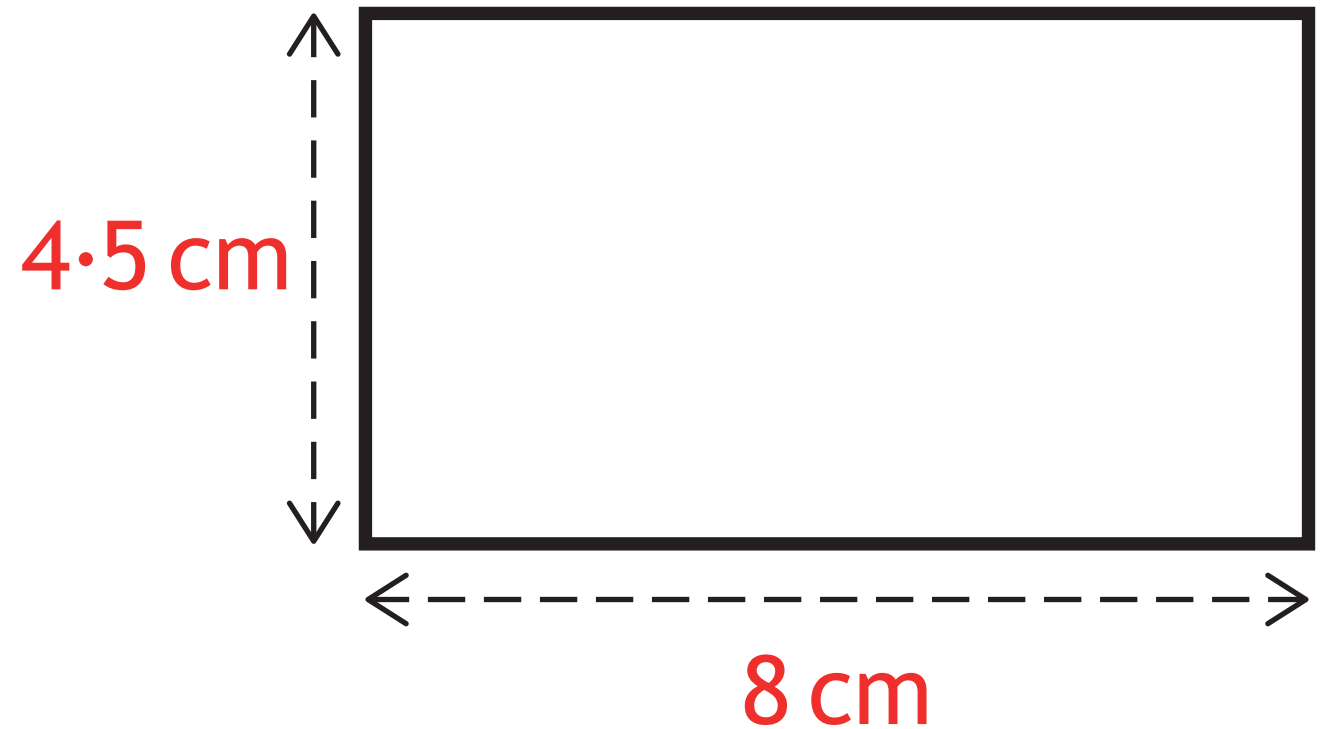
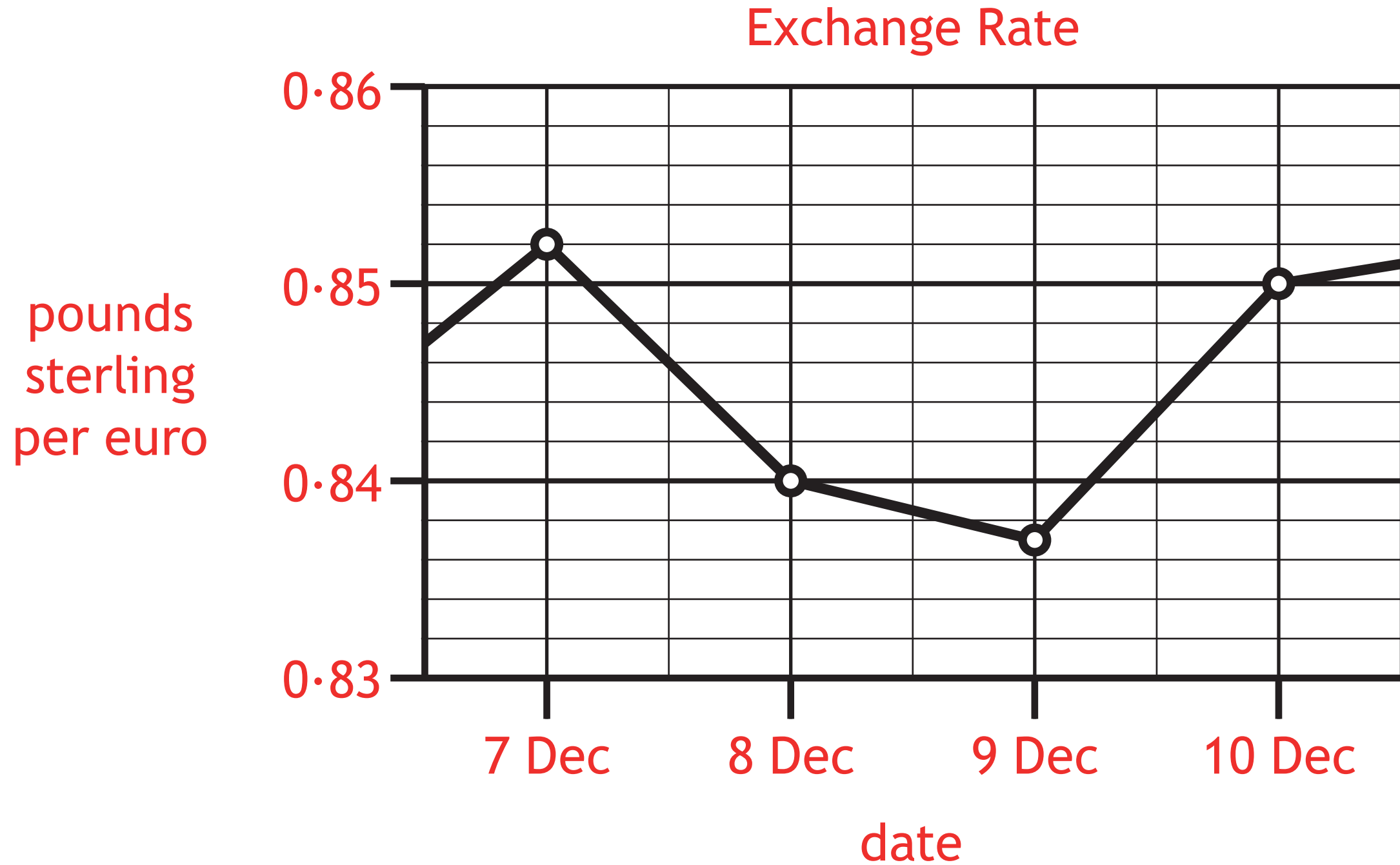


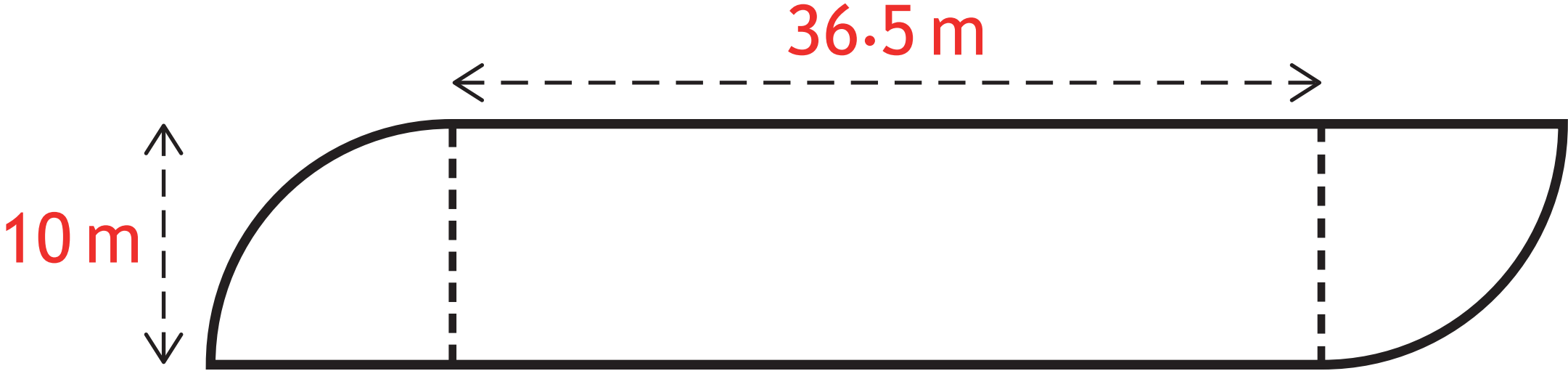
Diagram 2
base of cylinder



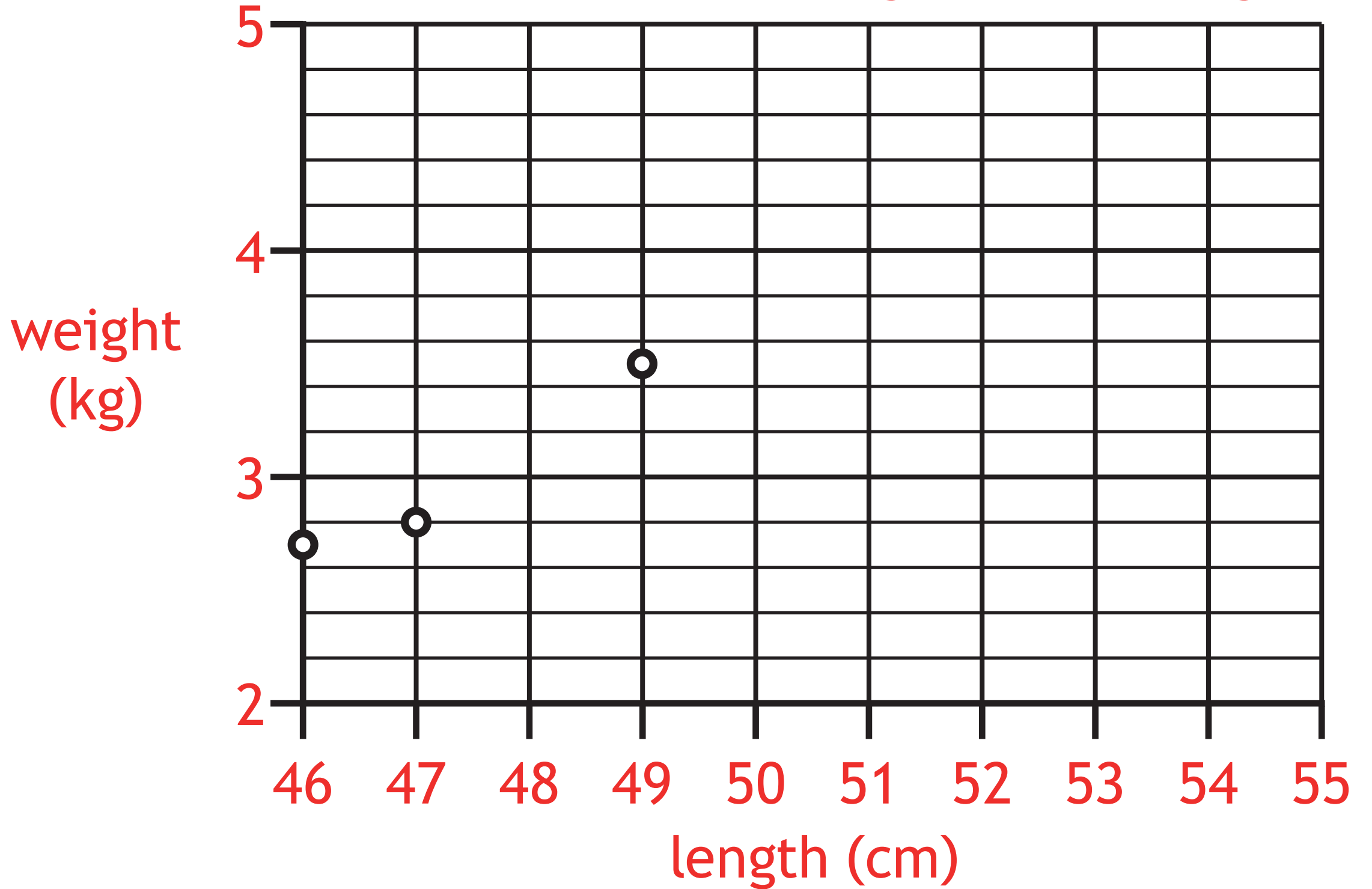
base of cuboid



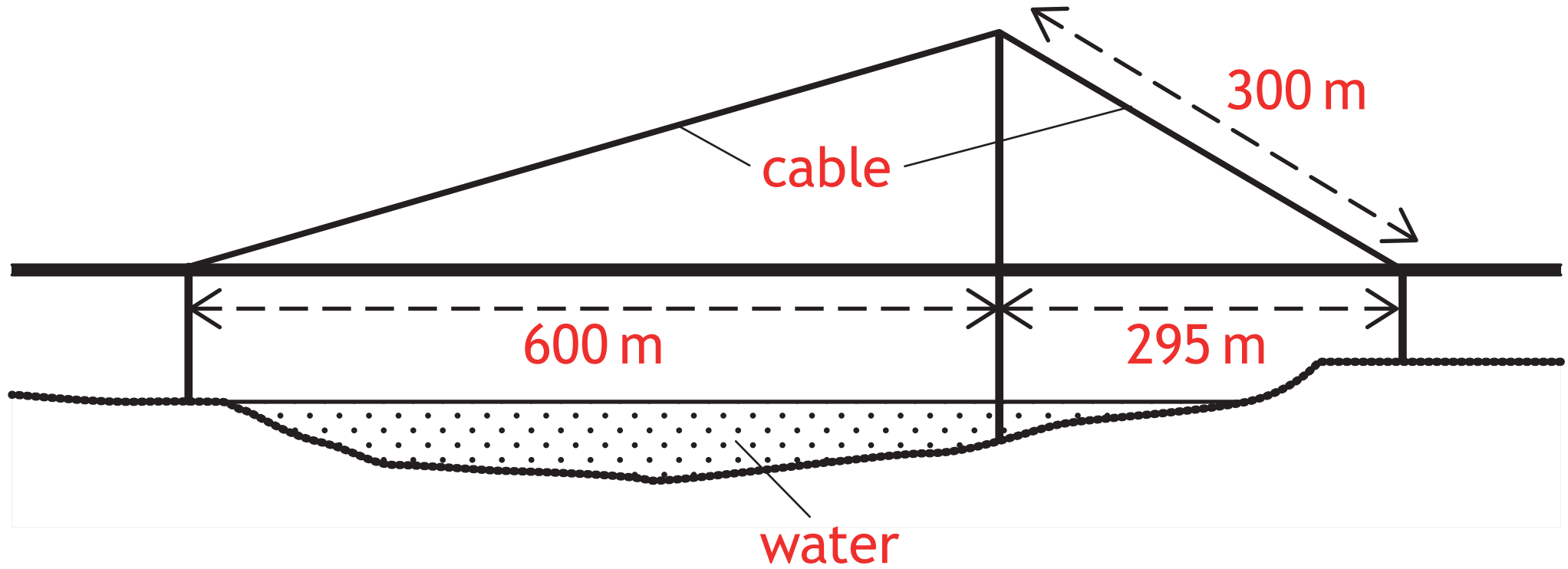


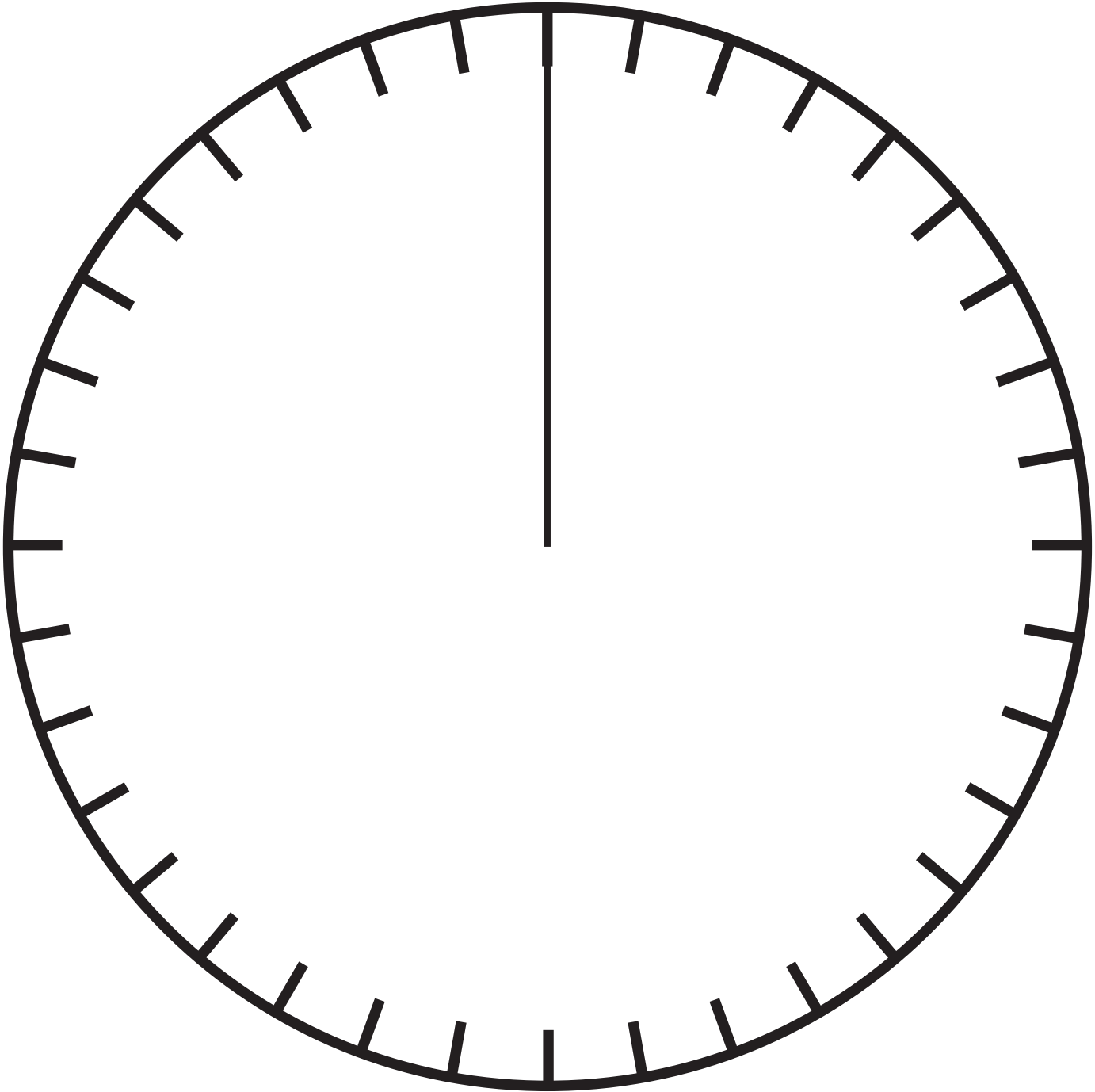


New-born babies: weight versus length



Q8b





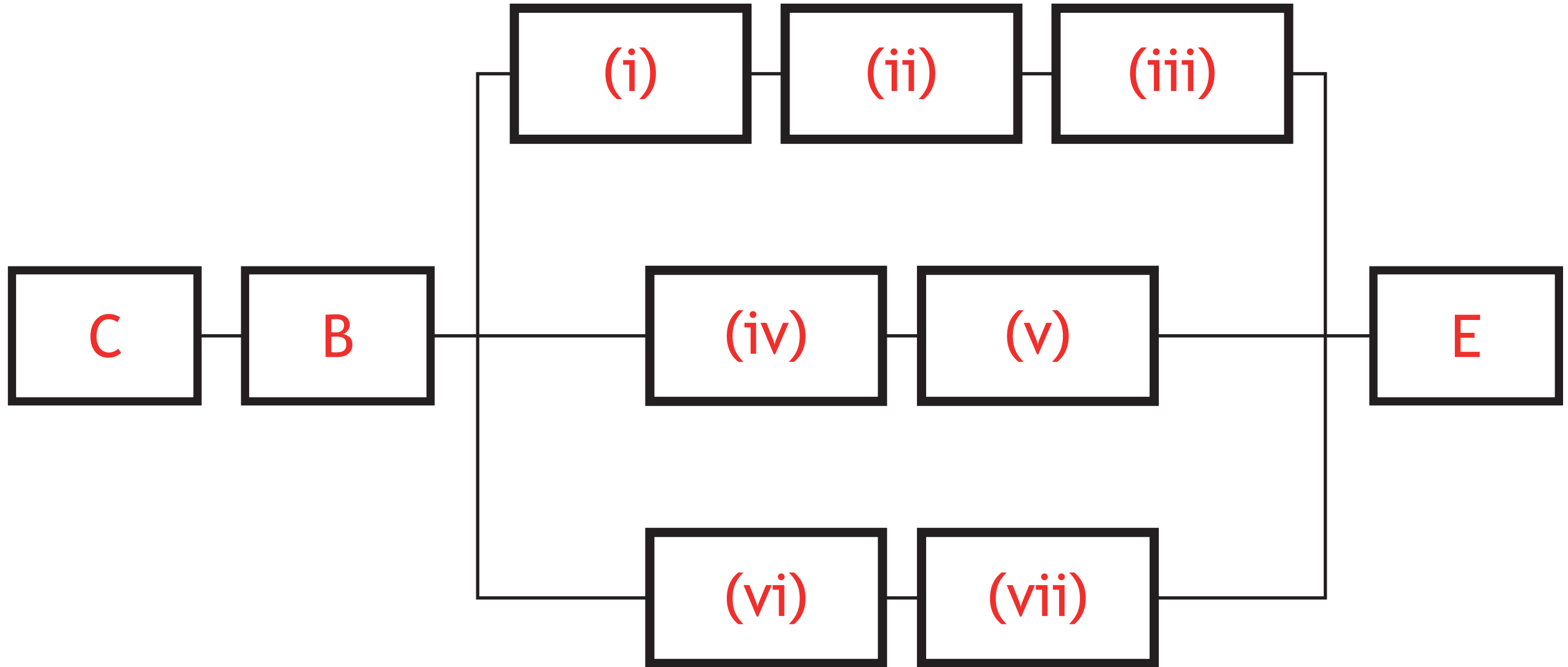


Diagram 1

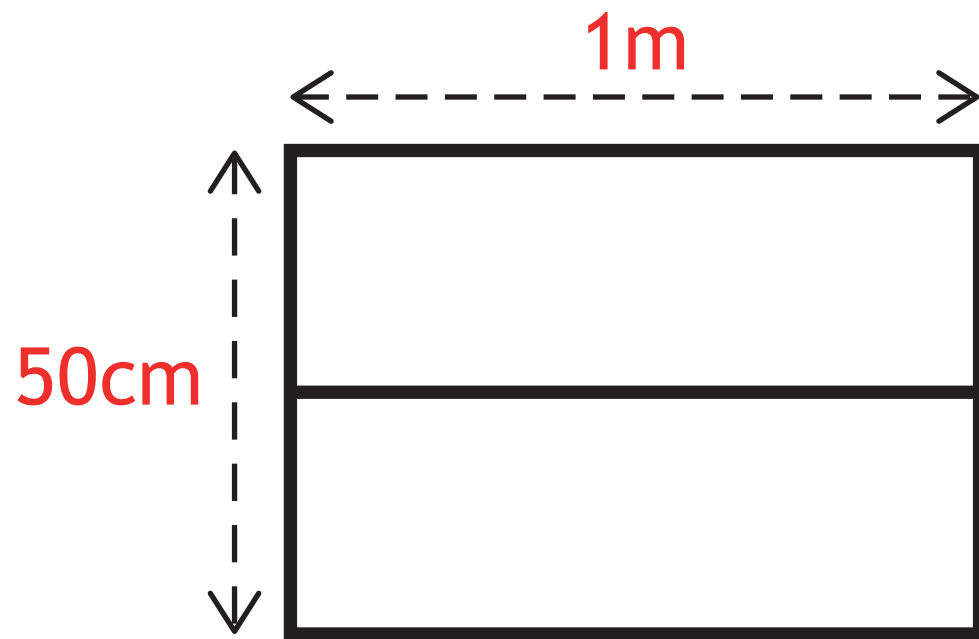
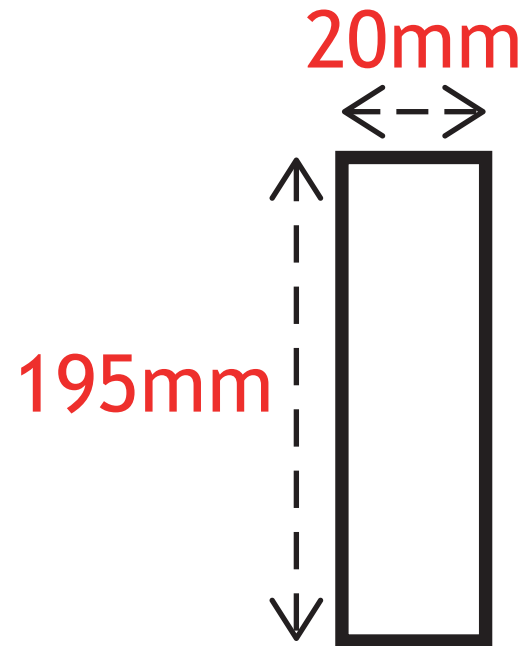


Diagram 2

book stacked vertically



book stacked horizontally

