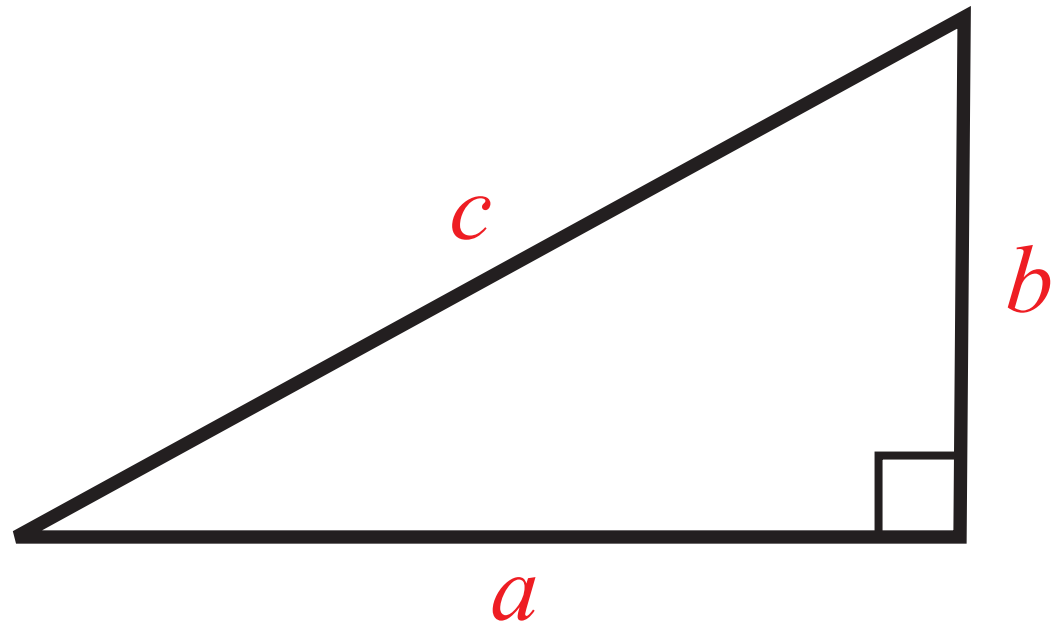
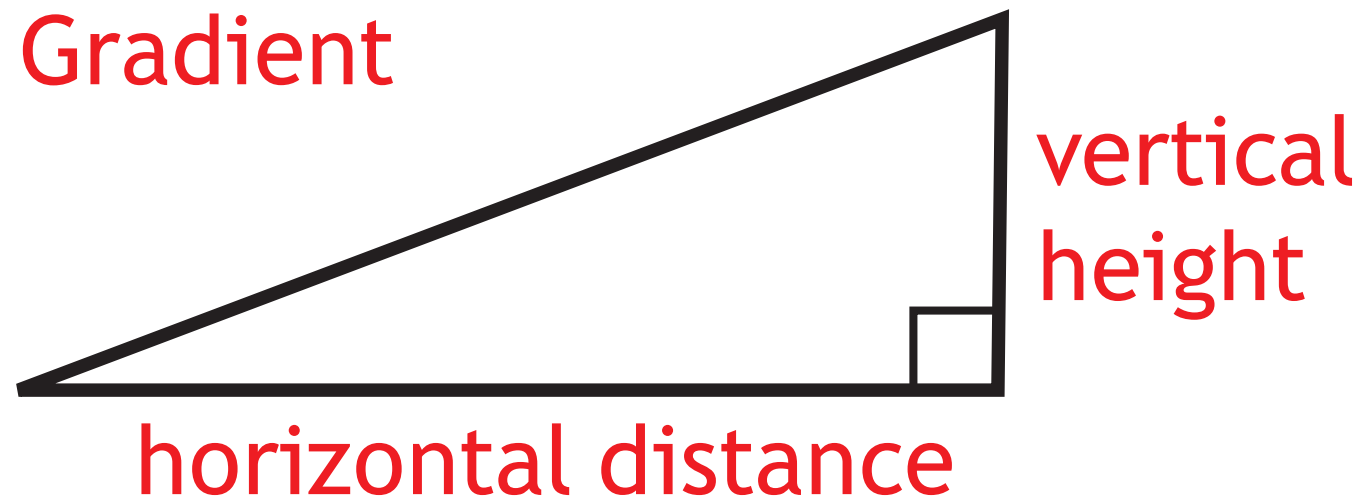


Theorem of Pythagorus



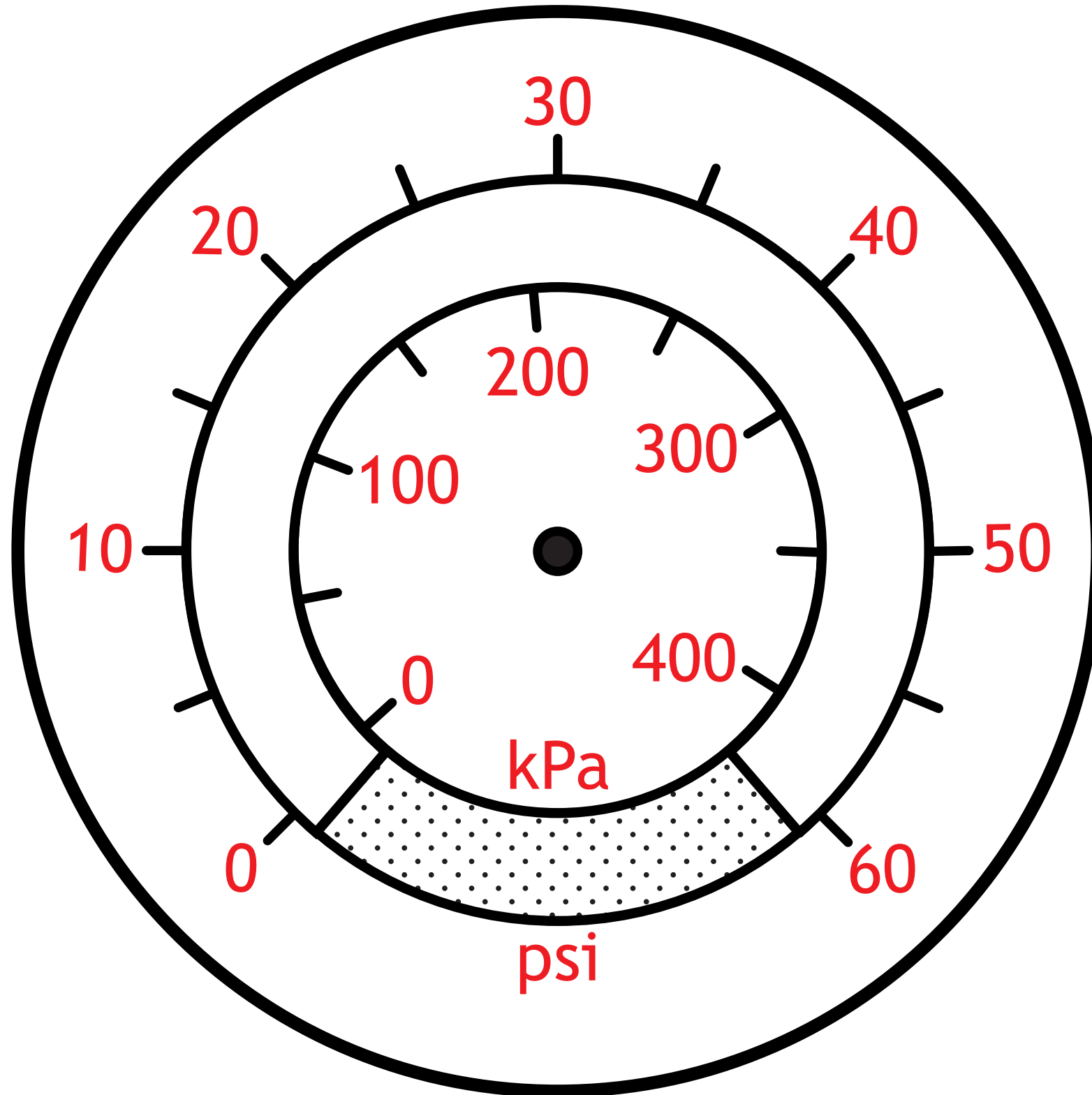
$$a^2 + b^2 = c^2$$

Gradient

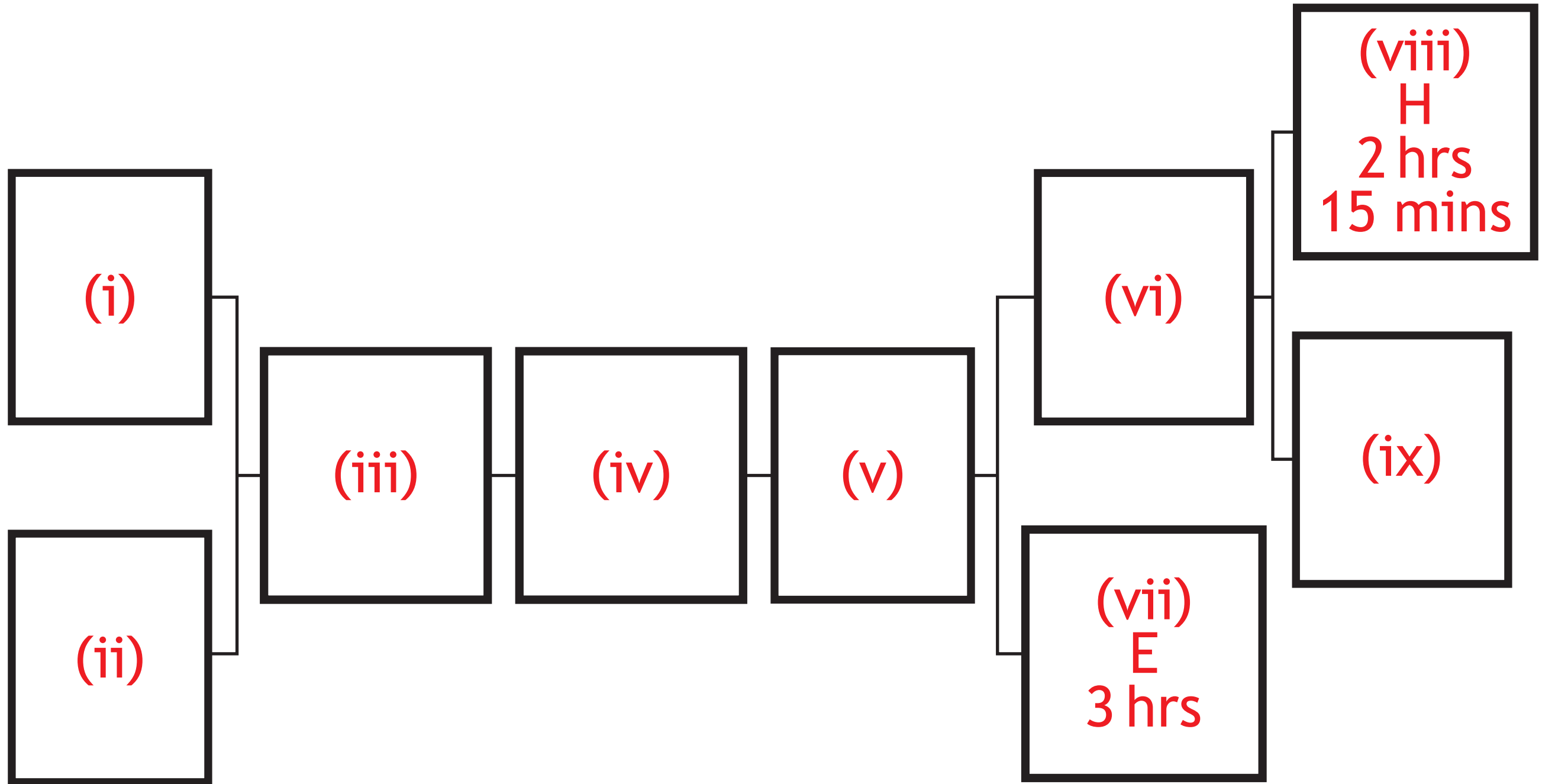


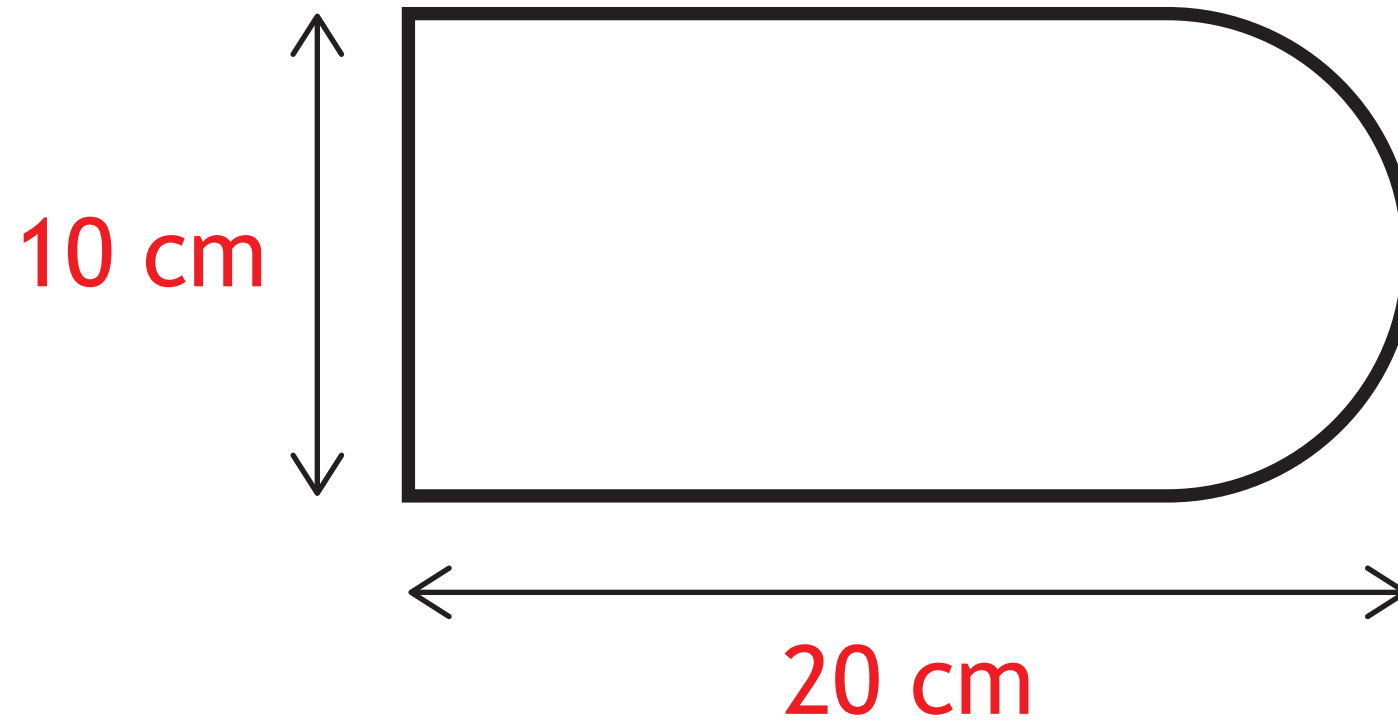
$$\text{gradient} = \frac{\text{vertical height}}{\text{horizontal distance}}$$

Q1



Q4a





Q11

